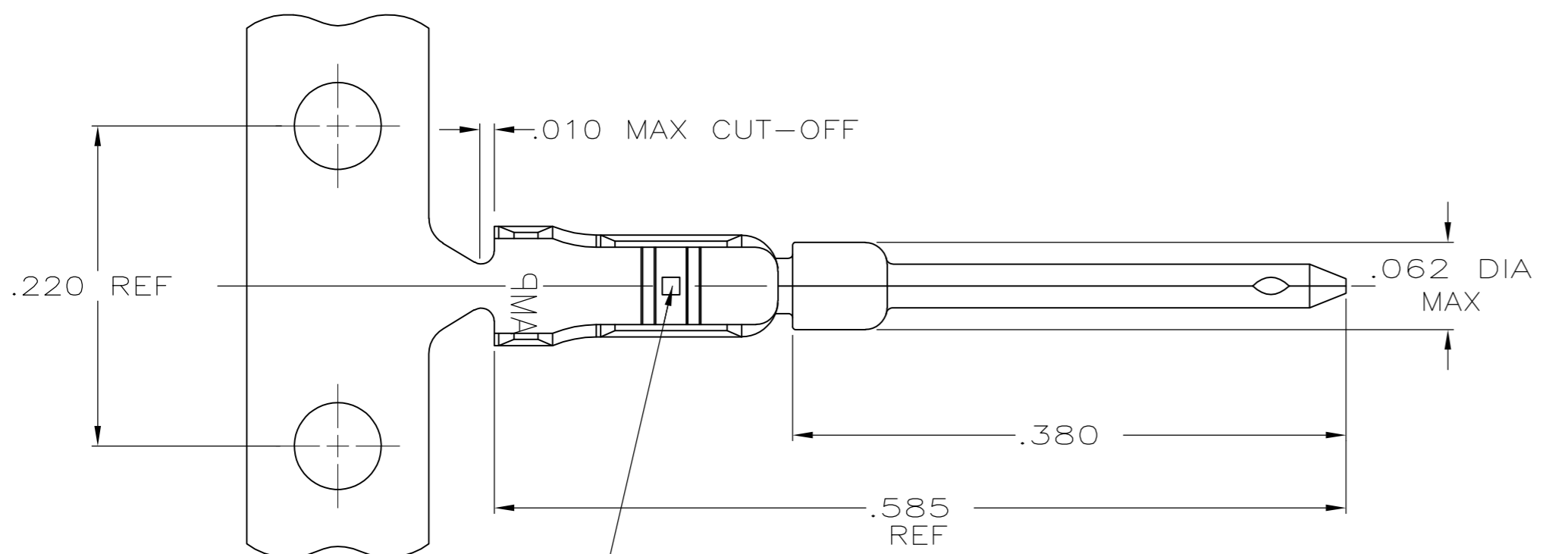
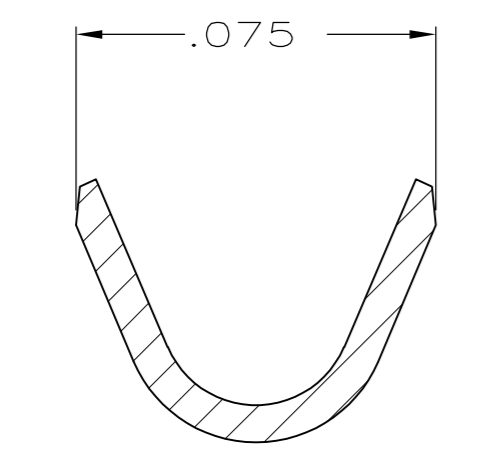
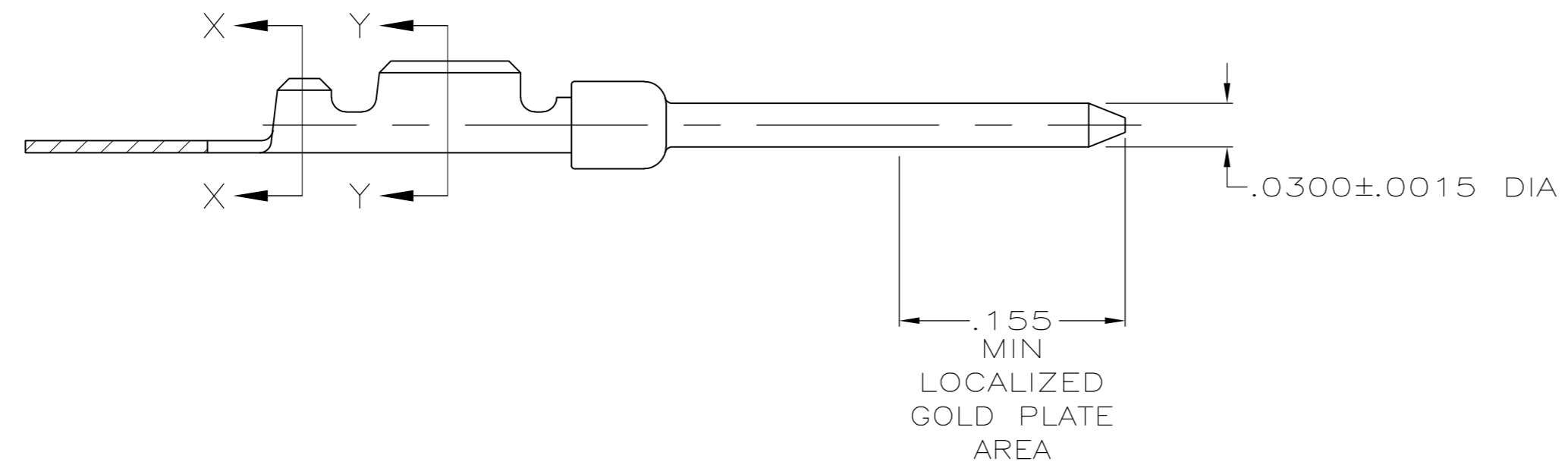


THIS DRAWING IS UNPUBLISHED. RELEASED FOR PUBLICATION
 © COPYRIGHT - By - ALL RIGHTS RESERVED.

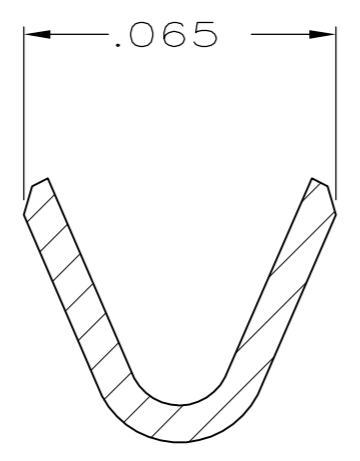
LOC	DIST	REVISIONS					
GP	00	P	LTR	DESCRIPTION	DATE	DWN	APVD
		K		REVISED PER ECO-11-012231	12SEP2011	CJV	CWR



COLOR CODED GREEN, ON FAR SIDE INDICATES 22-28 AWG WIRE RANGE LOOSE PIECE ONLY



SECTION X-X
INSULATION BARREL
SCALE 25:1



SECTION Y-Y
WIRE BARREL
SCALE 25:1

- ① FOR MINI APPLICATOR.
- ② FOR HAND TOOL USE ONLY.
- 3. WIRE RANGE OF 22-28, INSULATION RANGE OF .030-.040.
- ④ GOLD PLATING PER MIL-G-45204, NICKEL PLATING PER QQ-N-290, TIN PLATING PER MIL-T-10727.
- ⑤ GOLD PLATED IN LOCALIZED GOLD PLATED AREA, 000030 MIN GOLD IN MATED AREA, .000100 MIN TIN IN WIRE & INSULATION BARRELS, BOTH OVER .000050 MIN NICKEL.
- ⑥ GOLD FLASH IN LOCALIZED GOLD PLATE AREA, .000100 MIN TIN IN WIRE & INSULATION BARRELS, BOTH OVER .000030 MIN NICKEL.
- ⑦ .000050 MIN GOLD OVER .000050 MIN NICKEL ON ENTIRE CONTACT.
- ⑧ GOLD PLATED IN LOCALIZED GOLD PLATED AREA, 000015 MIN GOLD IN MATED AREA, .000100 MIN TIN IN WIRE & INSULATION BARRELS, BOTH OVER .000050 MIN NICKEL.
- ⑨ GOLD PLATING ON THE CARRIER STRIP IS NOT REQUIRED.

PACKAGING TYPE	FINISH	USE	TYPE	PART NUMBER
SUPERSEDED BY 748333-2	STANDARD	⑧ ⑨	①	STRIP 1-748333-5
OBSOLETE	SMALL PACK	⑤	②	LOOSE PIECE 1-748333-4
	STANDARD	⑦ ⑨	①	STRIP 748333-9
OBSOLETE AMP BRAZIL USE ONLY	STANDARD	-	①	STRIP 748333-8
OBSOLETE	STANDARD	⑥	②	LOOSE PIECE 748333-7
OBSOLETE	STANDARD	⑥	①	STRIP 748333-5
OBSOLETE	STANDARD	⑤	②	LOOSE PIECE 748333-4
OBSOLETE	STANDARD	⑤	①	STRIP 748333-2

THIS DRAWING IS A CONTROLLED DOCUMENT.

DWN	C.RICHARD	09/25/86
CHK	S.WELDON	09/26/86
APVD	-	-
PRODUCT SPEC	-	
APPLICATION SPEC	-	
WEIGHT	-	-

TE TE Connectivity

PIN CONTACT, SIZE 22 DF, 22-28 AWG, W/.030-.040 DIA INSULATION SUPPORT

SIZE: A2 CAGE CODE: 00779 DRAWING NO: C-748333 RESTRICTED TO: -

MATERIAL: BRASS PER MIL-C-50 FINISH: SEE TABLE, NOTE 4 WEIGHT: - SCALE: 10:1 SHEET: 1 of 1 REV: K