

5

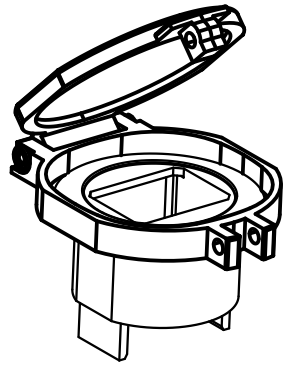
4

3

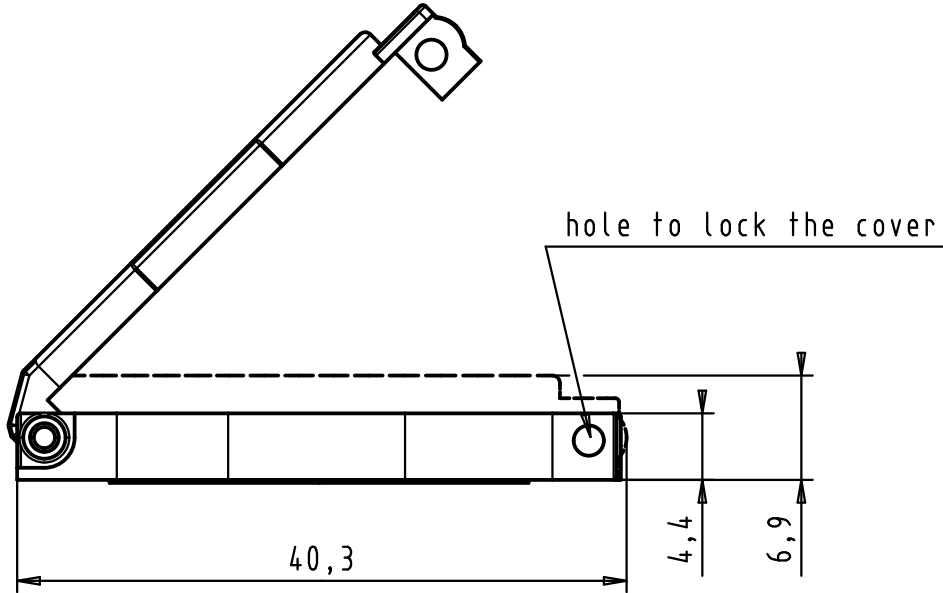
2

1

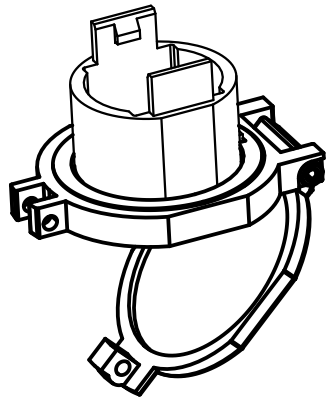
D



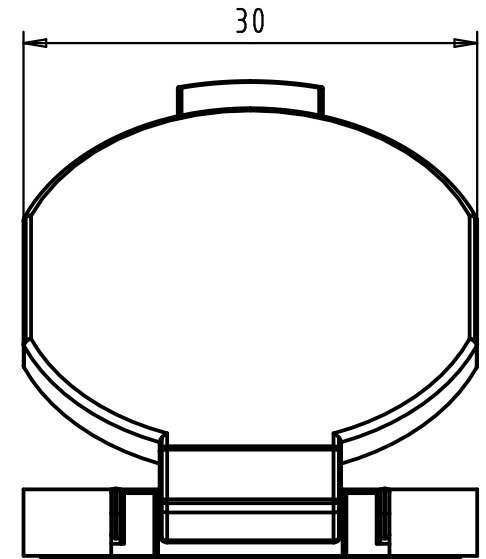
C





B



A



				Dat.	Name	 All Dim. in mm Orig. Size DIN A 4	har-port sealing cover	Maßstab/ Scale 2:1	Blatt/ Page 1 / 1
			Detail.	26/JAN/11	BH				
			Insp.	26/JAN/11	JB				
			Stand.						
36224			HARTING EURL F-95972 Paris				TB 09 45 502 0001	Sub.	
Mod.			Dat.		Name				