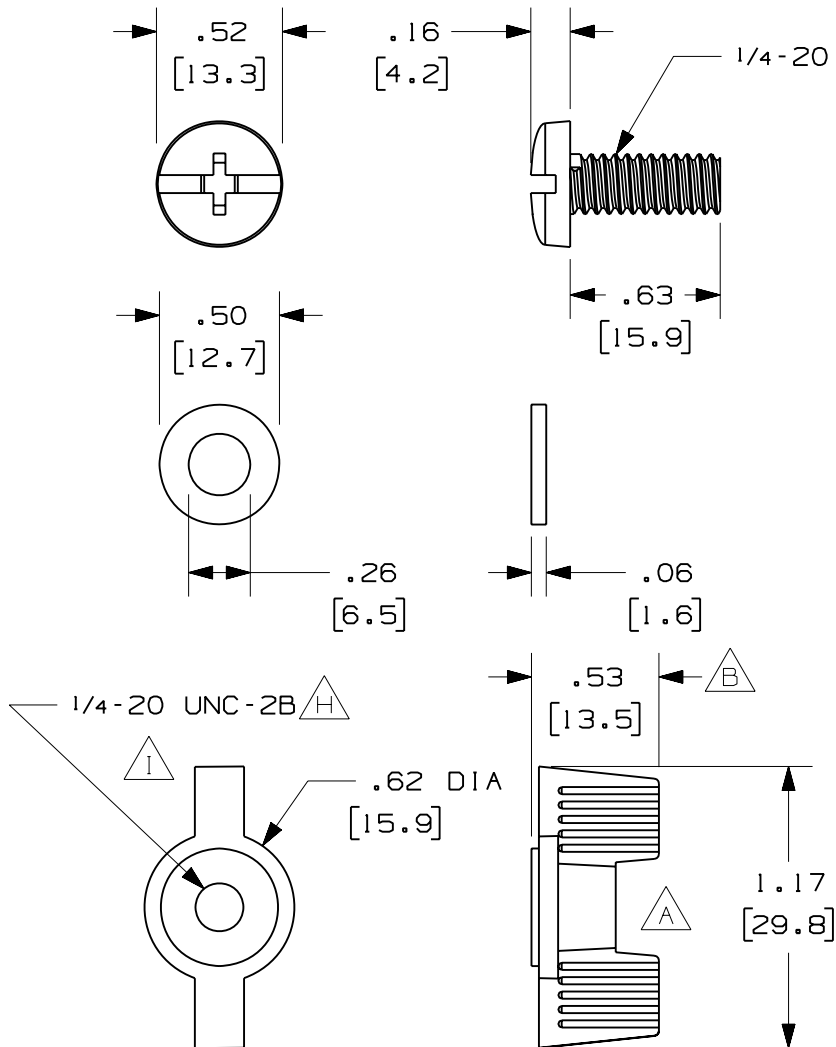


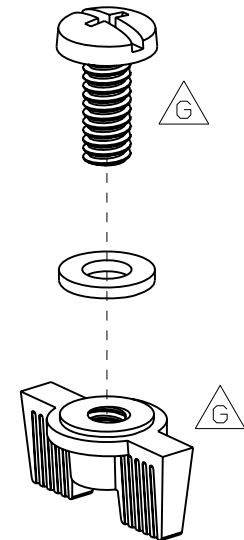
THIS COPY IS PROVIDED ON A RESTRICTED BASIS AND IS NOT TO BE USED IN ANY WAY DETRIMENTAL TO THE INTERESTS OF PANDUIT CORP.



PANDUIT PART NUMBER	WEIGHT
F14PWN-L	0.29 LB/50 PCS (132g/50 PCS)

F NOTES:

1. SEE CURRENT CATALOG FOR ADDITIONAL PART SUFFIXES TO INDICATE PACKAGE QUANTITY.
2. THE FIBER ROUTING 1/4-20 PLASTIC WING NUT AND SCREW KIT INCLUDES:
FIFTY (50) 1/4-20 NYLON COMBINATION BINDING HEAD MACHINE SCREWS,
FIFTY (50) 1/4-20 NYLON DECO WING NUTS,
FIFTY (50) .257x.50x.062 NYLON FLAT WASHERS.
3. DIMENSIONS IN PARENTHESES ARE IN METRIC.



J ENG. REF.: D37291BX_DC_F14PWN-L_02.prt

CAD FILENAME/LAYERS **C** F14PWN-L.pdf

3	6-16-06	MSO	RN	K. REVISED PART WEIGHT. J. REVISED CAD FILENAME.	37291-21	RN	RN		
-	-----	---	---	I. REMOVED DIMENSION.	-----	--	--		
-	-----	---	---	H. REVISED LOCAL NOTE. G. REVISED PART GEOMETRY.	-----	--	--		
-	-----	---	---	F. REVISED GENERAL NOTES. E. REVISED MAT'L REFERENCE.	-----	--	--		
2	4-29-05	MSO	SMF	D. REVISED DRAWING TITLE. C. REVISED CAD FILENAME.	37291-21	RN	RN		
1	7-9-01	JHNU	LD	B. ADDED DIMENSION. A. REMOVED DIMENSION.	37291-21	HIW	HIW		
R	1-23-01	JHNU	LD	RELEASED TO PRODUCTION	37291-21	HIW	HIW		
REV	DATE	BY	CHK	DESCRIPTION	ECN	R	CUST	SUP	GMBH

PANDUIT CORP TINLEY PARK, ILLINOIS
FIBER ROUTING 1/4-20 PLASTIC WING NUT AND SCREW KIT (F14PWN-L)
D CUSTOMER DRAWING

UNLESS OTHERWISE SPECIFIED, DIMENSIONAL TOLERANCES ARE: (.X) ± (.XXX) ± (.XX) ± .03 (.8) ANGLES ±		UNLESS OTHERWISE SPECIFIED, ALL DIMENSIONS ARE GIVEN IN INCHES, THIRD ANGLE PROJECTION.	
DRAWN BY JHNU	MAT'L: NYLON	SCALE NONE	
DATE 1-23-01		DRAWING NO. 37291-21	DWG A
CHK'D LD	E		SIZE