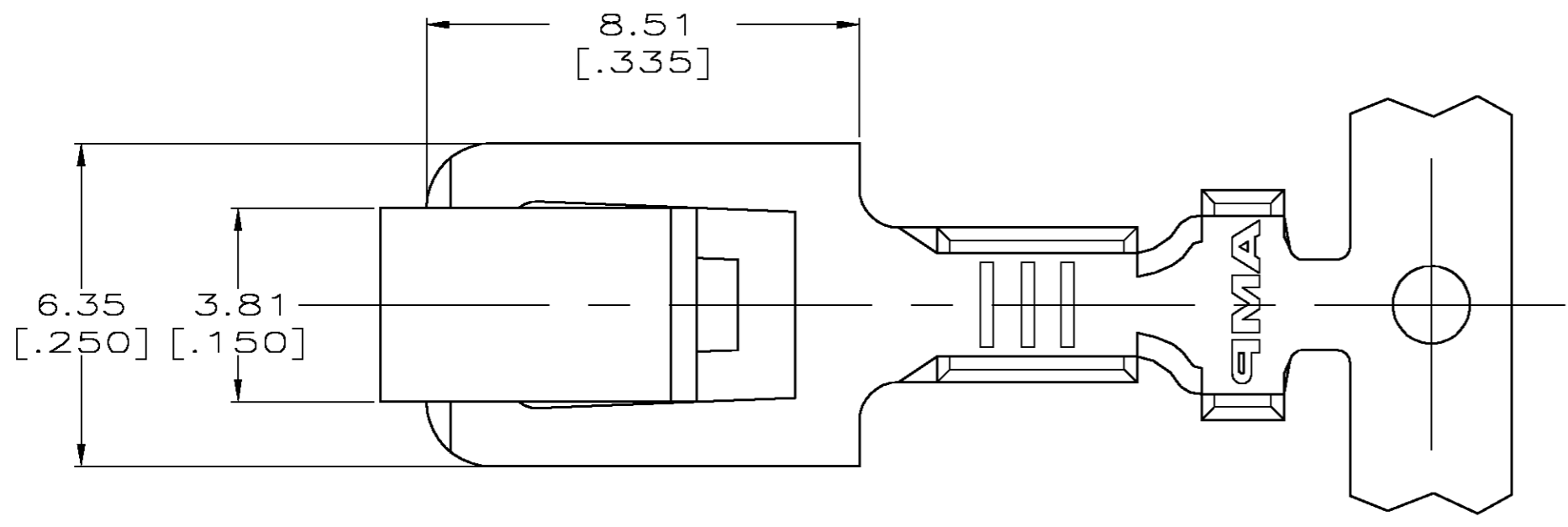
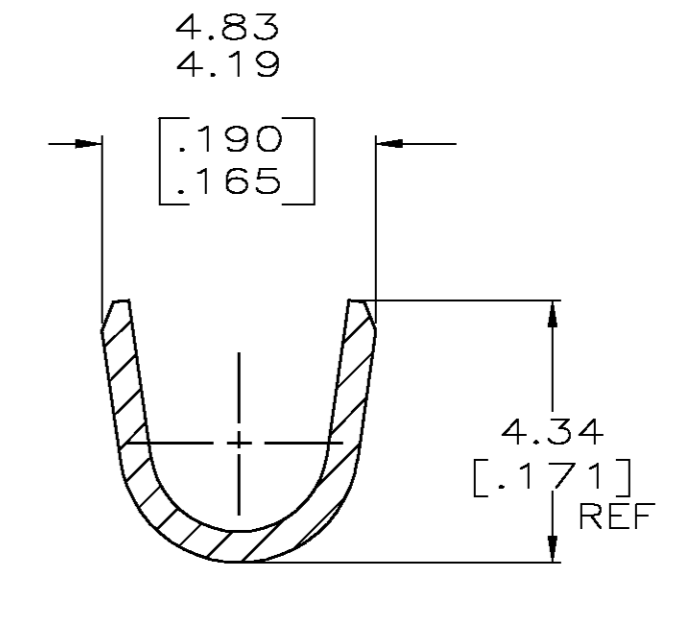
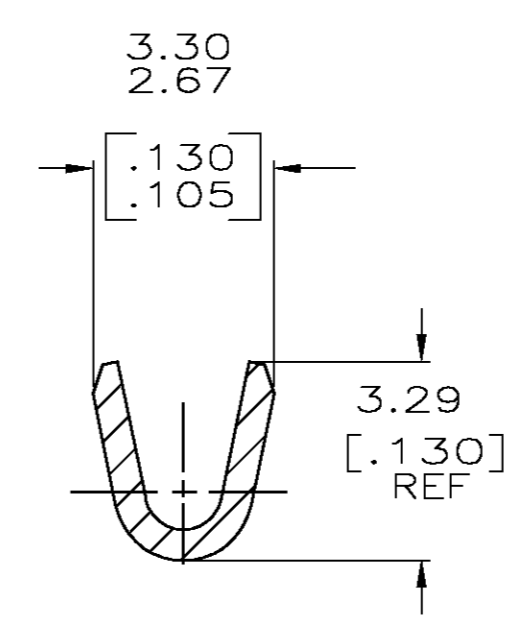
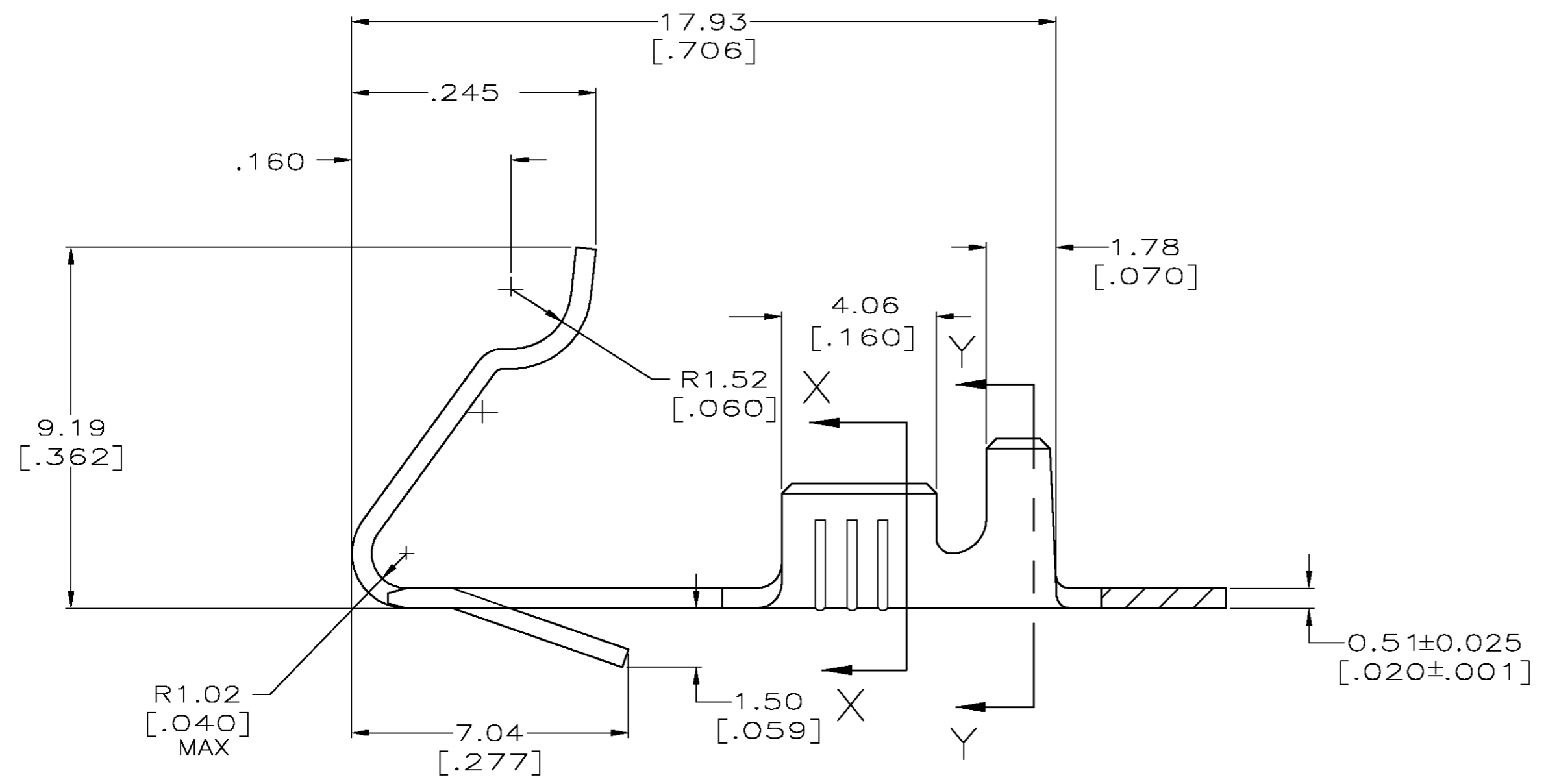


THIS DRAWING IS UNPUBLISHED. RELEASED FOR PUBLICATION
 © COPYRIGHT BY TYCO ELECTRONICS CORPORATION. ALL RIGHTS RESERVED.

LOC	DIST	REVISIONS					
		P	LTR	DESCRIPTION	DATE	DWN	APVD
AF	50		C	REVISED PER 0G3A-0252-04	05APR04	MF	DD

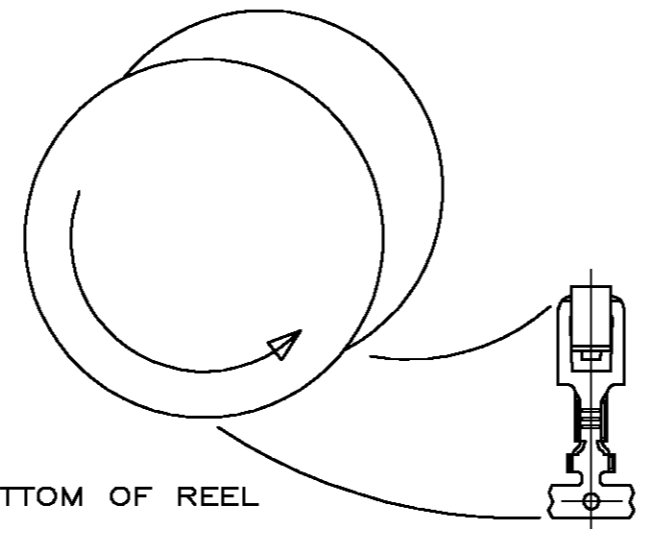


- 1 CONTINUOUS STRIP ON REELS
- 2 WIRE SIZE IS [#20-#16] AWG.
- 3 INSULATION RANGE IS 3.30 [.130] MAX
- ⚠ PRELIMINARY - NOT FOR PRODUCTION.



SECTION X-X

SECTION Y-Y



TERMINALS OFF BOTTOM OF REEL
 FOR -2 ONLY

DETAIL D

THIS DRAWING IS A CONTROLLED DOCUMENT.		DWN	30APR2002	Tyco Electronics Corporation Harrisburg, Pa 17105-3608
DIMENSIONS: mm		CHK	30APR2002	
TOLERANCES UNLESS OTHERWISE SPECIFIED:		APVD	30APR2002	
0 PLC ± - 1 PLC ± - 2 PLC ± 0.25 [.010] 3 PLC ± - 4 PLC ± - ANGLES ± -		PRODUCT SPEC		
MATERIAL	FINISH	WEIGHT		NAME
H04 BRASS	0.002032 [.000080] MIN TIN PLATE	-		FLUORESCENT TUBE SOCKET TERMINAL
CUSTOMER DRAWING		SCALE	8:1	RESTRICTED TO
		SHEET	1 OF 1	REV
		CAGE CODE	A2 00779	C=1217825