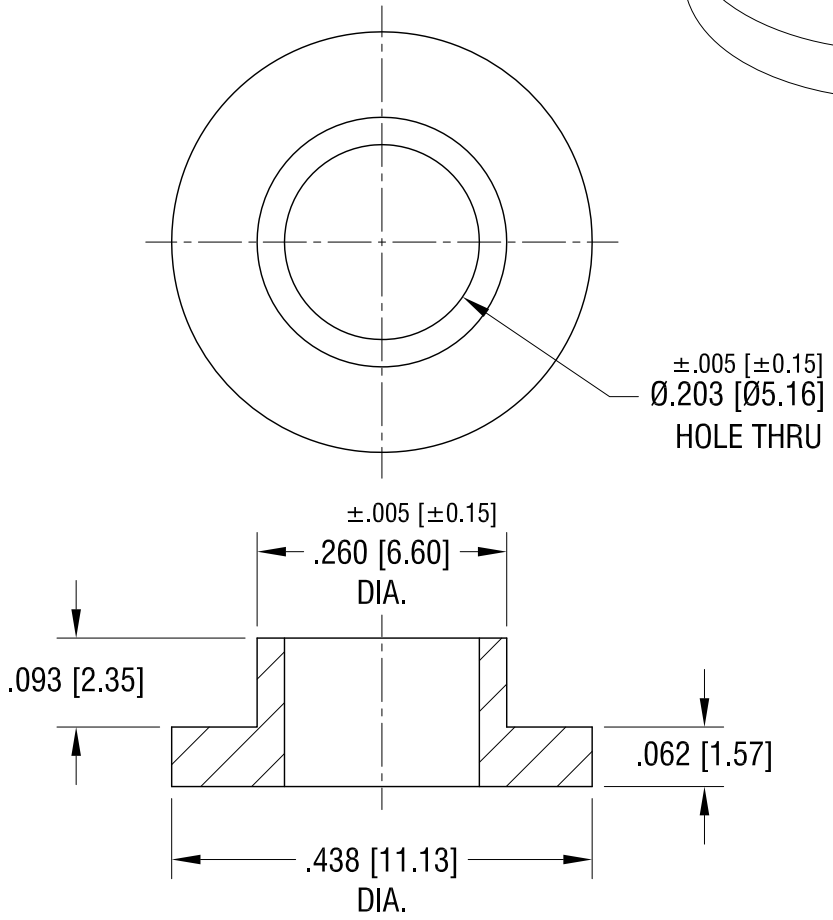
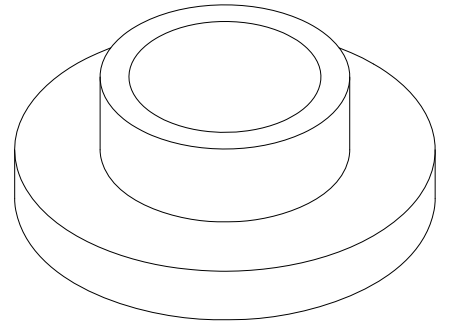


THIS DOCUMENT IS THE PROPERTY OF
KEYSTONE ELECTRONICS CORP. AND
SHALL NOT BE REPRODUCED, DISTRIBUTED
OR USED AS A BASIS FOR MANUFACTURE
WITHOUT PRIOR WRITTEN PERMISSION
FROM KEYSTONE ELECTRONICS CORP.



KEYSTONE ELECTRONICS CORP.			
www.keyelco.com • ASTORIA, N.Y. 11105-2017 • Tel (718) 956-8900			
PART NAME			
NYLON SHOULDER WASHER			
MATERIAL			
NYLON 6/6			
FINISH		DRN BY	DATE
-		BOONE	4.18.06
		APP'D	SCALE
		LN	5X
TOLERANCES	INCH [MM]	CODE	DWG NO.
DECIMAL	$\pm .010$ [± 0.25]	C/M	3107
ANGULAR	$\pm 1^\circ$		
UNLESS OTHERWISE SPECIFIED			

5.22.12	I.D. WAS $.196 \pm .005$ CHANGE AS PER ECN 12-070	A
DATE	DESCRIPTION	REV.