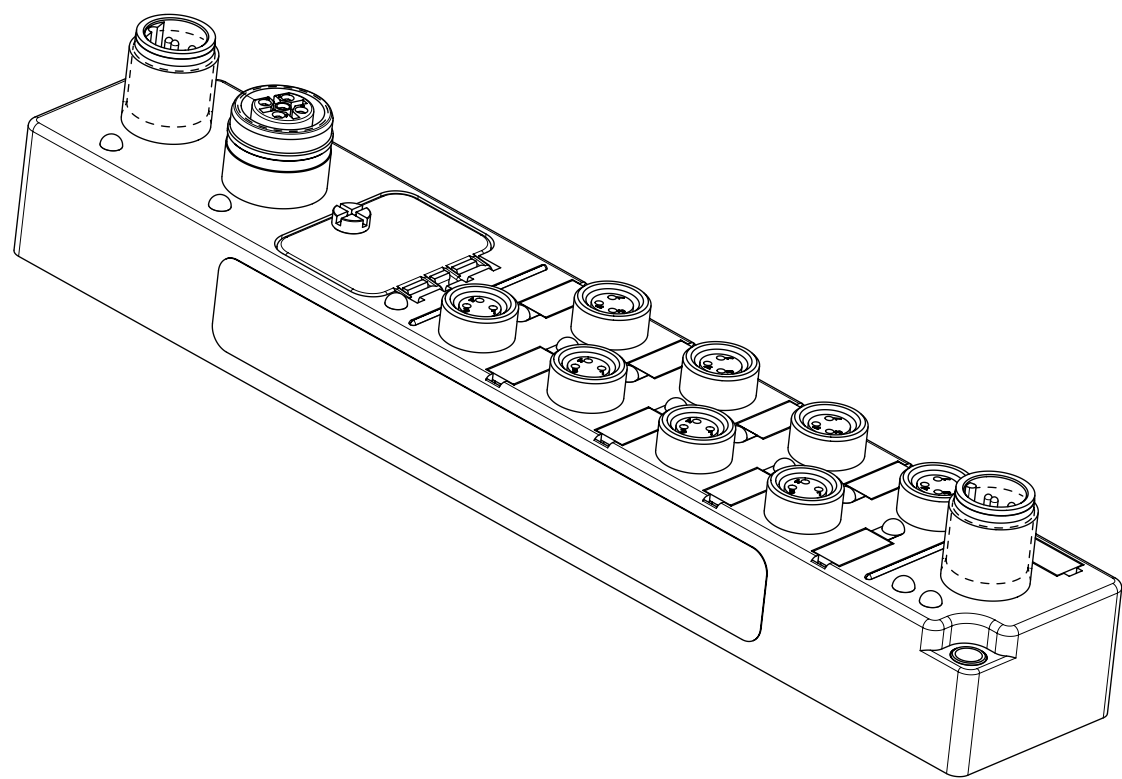
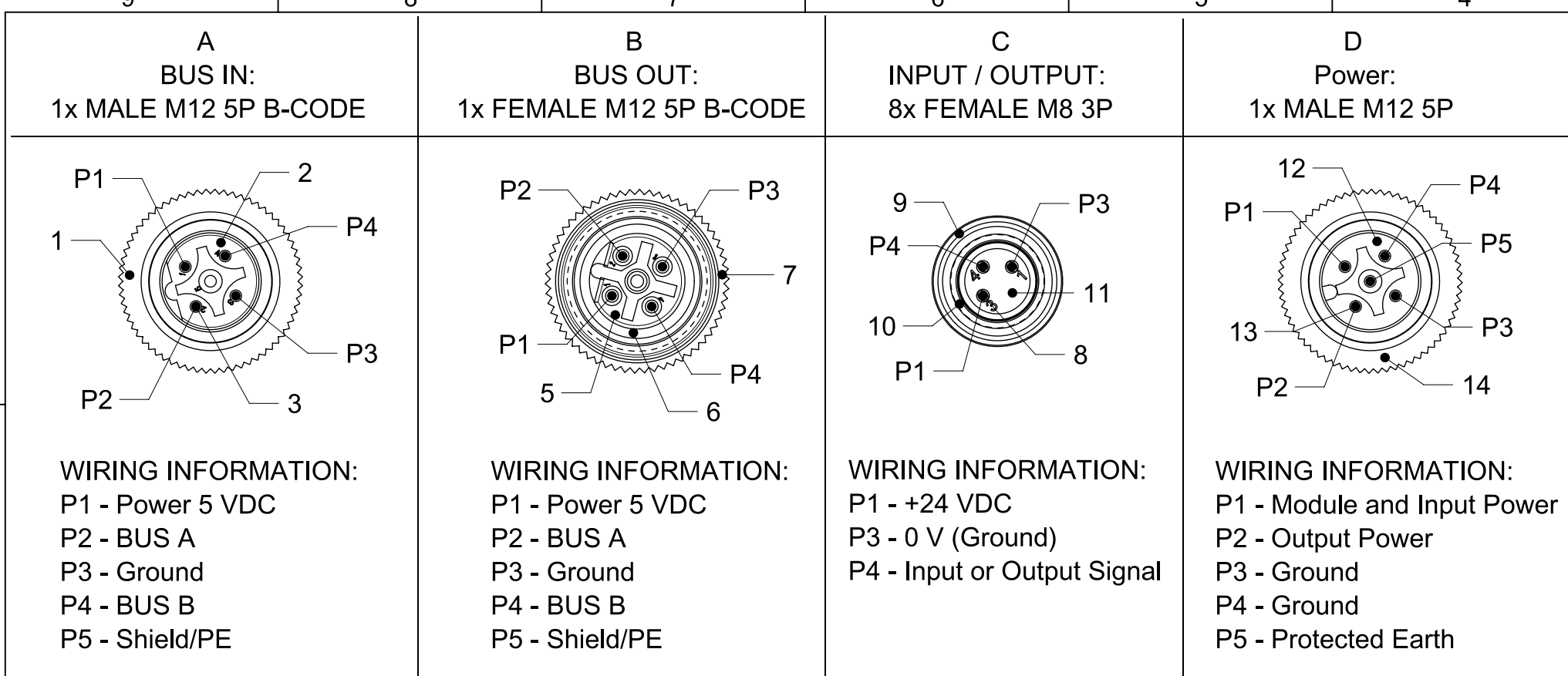


2x FIXING HOLES  
SUITABLE FOR M4  
SCREWS



THIS DRAWING CONTAINS INFORMATION THAT IS PROPRIETARY TO MOLEX ELECTRONIC TECHNOLOGIES, LLC AND SHOULD NOT BE USED WITHOUT WRITTEN PERMISSION												
QUALITY SYMBOLS	2015/09/17	2015/10/23	GENERAL TOLERANCES (UNLESS SPECIFIED)			DIMENSION UNITS	SCALE					
			ANGULAR TOL ± °			MM	1:1					
▽A = 0	EC NO: 101496 DRWN: AAHLERS CHK'D: REV APPR: RSILLER	RSILLER	4 PLACES ±	DATE	DRWN BY		<b>DBO PB 30 MM M12 5P MA BC U12 5P FM BC M8 3P 8PT AC M12 5P AC</b>					
▽E = 0			3 PLACES ±		ULETTENMEIER							2015/01/27
▽F = 0			2 PLACES ±	CHK'D BY		DATE		<b>PRODUCT CUSTOMER DRAWING</b>				
▼ = 0			1 PLACE ± 0.3	APPR BY		DATE						
▽C = 0			0 PLACES ± 0.5	DRAFT WHERE APPLICABLE MUST REMAIN WITHIN DIMENSIONS		RSILLER		2015/05/20		SERIES	MATERIAL NUMBER	CUSTOMER
⊗ = 0			A3		THIRD ANGLE PROJECTION		112038		SEE TABLE 1		GENERAL MARKET	
■ = 0	A2		A3		DRAWING SIZE		1120380014		DOCUMENT NUMBER	DOC TYPE	DOC PART	SHEET NUMBER
▽ = 0	A2		A3		A3		1120380014		1120380014	PSD	000	1 OF 3



**WIRING INFORMATION:**  
P1 - Power 5 VDC  
P2 - BUS A  
P3 - Ground  
P4 - BUS B  
P5 - Shield/PE

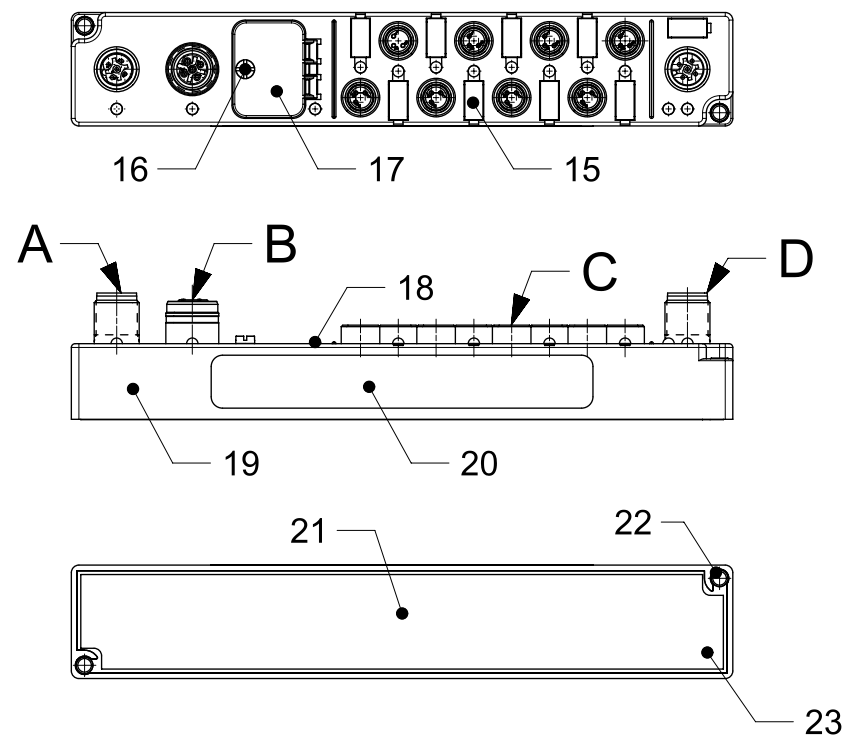
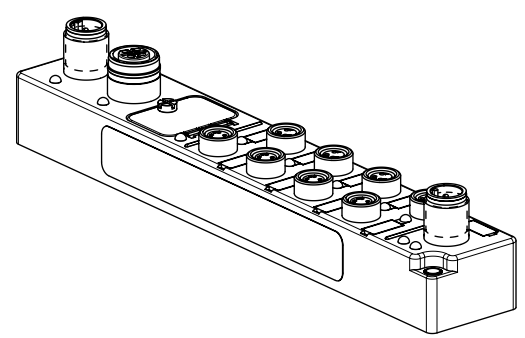
**WIRING INFORMATION:**  
P1 - Power 5 VDC  
P2 - BUS A  
P3 - Ground  
P4 - BUS B  
P5 - Shield/PE

**WIRING INFORMATION:**  
P1 - +24 VDC  
P3 - 0 V (Ground)  
P4 - Input or Output Signal

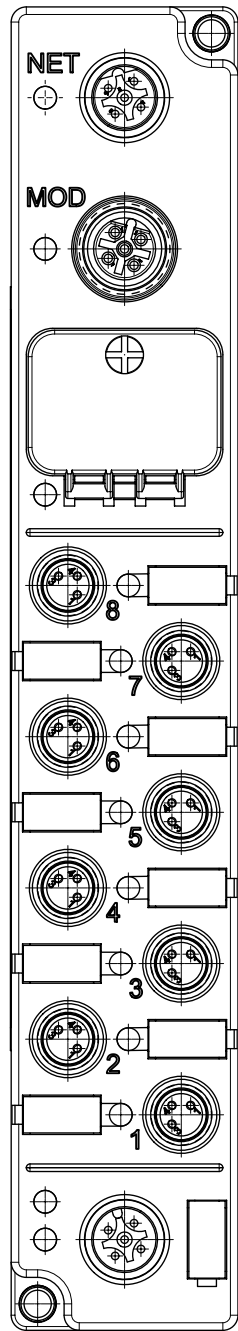
**WIRING INFORMATION:**  
P1 - Module and Input Power  
P2 - Output Power  
P3 - Ground  
P4 - Ground  
P5 - Protected Earth

**BILL OF MATERIAL**

ITEM	DESCRIPTION	MATERIAL	FINISH
1	SHELL	BRASS	NICKEL PLATET
2	INSERT	TPU	BLACK
3	CONTACT	COPPER ALLOY	GOLD OVER NICKEL
4	CONTACT	COPPER ALLOY	GOLD OVER NICKEL
5	INSERT	TPU	BLACK
6	GASKET	FPM	RED
7	SHELL	BRASS	NICKEL PLATET
8	CONTACT	COPPER ALLOY	GOLD OVER NICKEL
9	SHELL	BRASS	NICKEL PLATET
10	GASKET	FKM	RED
11	INSERT	TPU	BLACK
12	INSERT	TPU	BLACK
13	CONTACT	COPPER ALLOY	GOLD OVER NICKEL
14	SHELL	BRASS	NICKEL PLATET
15	LABEL	PC	WHITE
16	SCREW	V2A	V2A
17	WINDOW	PC	TRANSPARENT
18	LED	PA	TRANSPARENT
19	HOUSING	PBT	BLACK
20	LABEL	PVC	YELLOW
21	SLEEVE	BRASS	NICKEL
22	LABEL	PVC	WHITE
23	RESIN	EPOXY	TRANSPARENT



<b>QUALITY SYMBOLS</b> ▽ = 0 ▽ = 0 ▽ = 0 ▼ = 0 ▽ = 0 ⊗ = 0 ■ = 0 ▽ = 0	THIS DRAWING CONTAINS INFORMATION THAT IS PROPRIETARY TO MOLEX ELECTRONIC TECHNOLOGIES, LLC AND SHOULD NOT BE USED WITHOUT WRITTEN PERMISSION				DIMENSION UNITS: MM SCALE: 1:1					
	GENERAL TOLERANCES (UNLESS SPECIFIED) ANGULAR TOL ± °		DRWN BY: ULETTENMEIER DATE: 2015/01/27		DBO PB 30 MM M12 5P MA BC U12 5P FM BC M8 3P 8PT AC M12 5P AC					
	4 PLACES ± 3 PLACES ± 2 PLACES ± 1 PLACE ± 0.3 0 PLACES ± 0.5		CHK'D BY: RSILLER DATE: 2015/05/20		PRODUCT CUSTOMER DRAWING					
	DRAFT WHERE APPLICABLE MUST REMAIN WITHIN DIMENSIONS		DRAWING SIZE: A3 THIRD ANGLE PROJECTION		SERIES: 112038 MATERIAL NUMBER: SEE TABLE 1 CUSTOMER: GENERAL MARKET		DOCUMENT NUMBER: 1120380014 DOC TYPE: PSD DOC PART: 000 SHEET NUMBER: 2 OF 3			



UNIVERSAL PRINTING

TABLE 1 UNIVERSAL PRINTING					
		PROFIBUS			
POWER TYPE	INPUT / OUTPUT	ENG.NO.	MOLEX P/N	3D MODEL NO.	
M12 5 POLE	NPN	8I	TBDPB-880N-B84	1120380019	1120380014 (PDM)
		6I/20	TBDPB-862N-B84	1120380017	
		4I/40	TBDPB-844N-B84	1120380015	
	PNP	8I	TBDPB-880P-B84	1120380021	
		6I/20	TBDPB-862P-B84	1120380018	
		4I/40	TBDPB-844P-B84	1120380016	
		80	TBDPB-808P-B84	1120380014	

THIS DRAWING CONTAINS INFORMATION THAT IS PROPRIETARY TO MOLEX ELECTRONIC TECHNOLOGIES, LLC AND SHOULD NOT BE USED WITHOUT WRITTEN PERMISSION														
<b>QUALITY SYMBOLS</b> 	EC NO: 101496 DRWN: AAHLERS CHK'D: APPR: RSILLER	2015/09/17 2015/10/23	GENERAL TOLERANCES (UNLESS SPECIFIED)		DIMENSION UNITS	SCALE	 DBO PB 30 MM M12 5P MA BC U12 5P FM BC M8 3P 8PT AC M12 5P AC							
			ANGULAR TOL ± °		MM	1:1								
			4 PLACES ±	DRWN BY	DATE	ULETTENMEIER 2015/01/27								
			3 PLACES ±	2 PLACES ±	1 PLACE ± 0.3	0 PLACES ± 0.5	CHK'D BY	DATE	PRODUCT CUSTOMER DRAWING					
			DRAFT WHERE APPLICABLE MUST REMAIN WITHIN DIMENSIONS				APPR BY	DATE	SERIES	MATERIAL NUMBER	CUSTOMER			
							RSILLER	2015/05/20	112038	SEE TABLE 1	GENERAL MARKET			
							DRAWING SIZE	THIRD ANGLE PROJECTION	DOCUMENT NUMBER		DOC TYPE	DOC PART	SHEET NUMBER	
							A3		1120380014		PSD	000	3 OF 3	