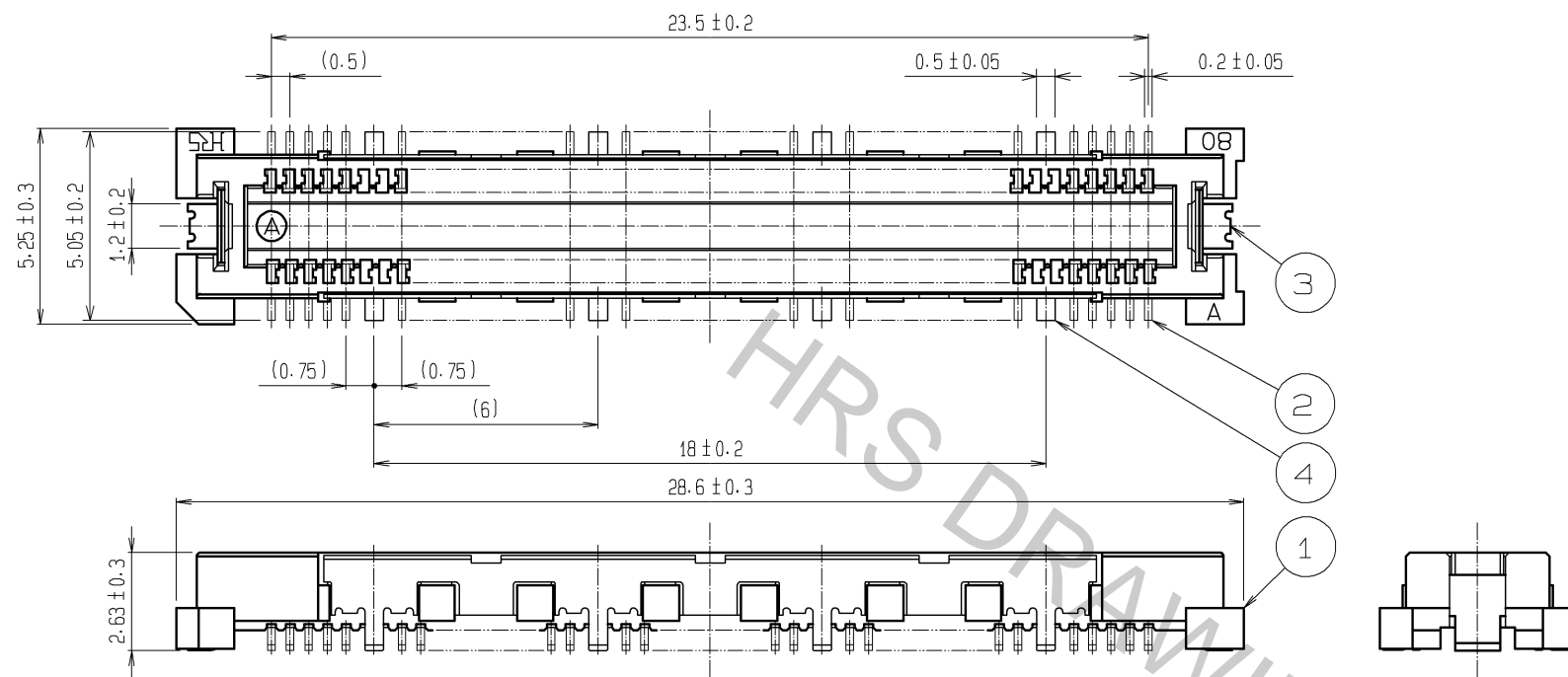
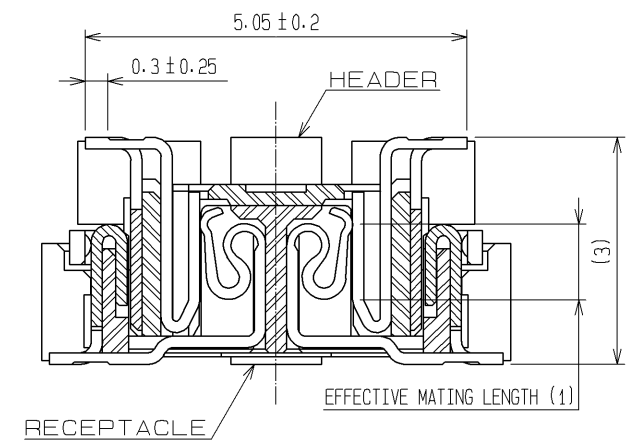


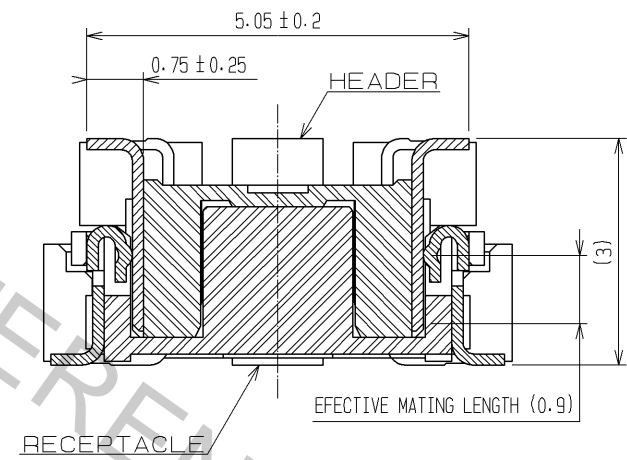
Apr.1.2017 Copyright 2017 HIROSE ELECTRIC CO., LTD. All Rights Reserved.



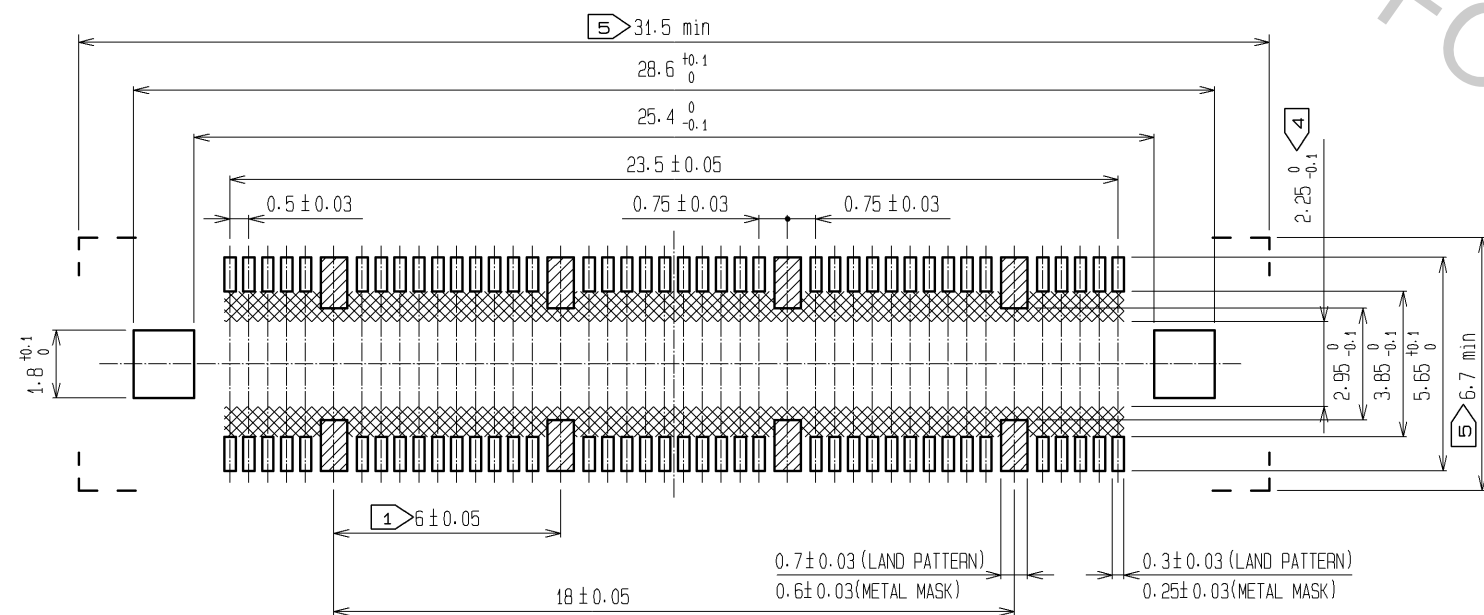
SIGNAL PORTION CROSS SECTION (10:1)



GROUND PORTION CROSS SECTION (10:1)



RECOMMENDED LAND PATTERN DIMENSION OF PCB
(RECOMMENDED METAL MASK THICKNESS:0.15mm)



- NOTES
- ① 8 HATCHED PARTS:GROUND CIRCUIT.
 - ② SMT LEAD-COPLANARITY:0.1 MAX.
 - ③ THIS PRODUCT HAS NO POLARITY TO PATTERN FOR MOUNTING.
 - ④ MAKE SURE WIDTH OF PATTERN IS WITHIN THAT OF LAND .OR LEAD MAY TOUCH PATTERN. (THIS APPLIES TO HATCHED AREA.)
 - ⑤ DO NOT MOUNT OTHER DEVICES ONTO [] AREA ,OR MATING PAIR CANNOT BE MATED.
 - ⑥ THE DIMENSIONS IN PARENTHESES ARE FOR REFERENCE.

3, 4	PHOSPHOR BRONZE	TIN PLATING	2	COPPER ALLOY	CONTACT AREA : GOLD 0.1μm min.
1	LCP	BEIGE UL94V-0			LEAD AREA : GOLD 0.05μm min.
					UNDER PLATING : NICKEL 1μm min.
NO.	MATERIAL	FINISH . REMARKS	NO.	MATERIAL	FINISH . REMARKS
UNITS	mm	SCALE	5 : 1	COUNT	△
APPROVED : HS. OKAWA		12.03.12	DRAWING NO. EDC3-152619-25		
CHECKED : HT. YAMAGUCHI		12.03.12	PART NO. FX11B-80P/8-SV0.5(71)		
DESIGNED : TS. MIYAKI		12.03.12	CODE NO. CL573-0613-0-71		
DRAWN : TS. MIYAKI		12.03.12	△ 1/1		