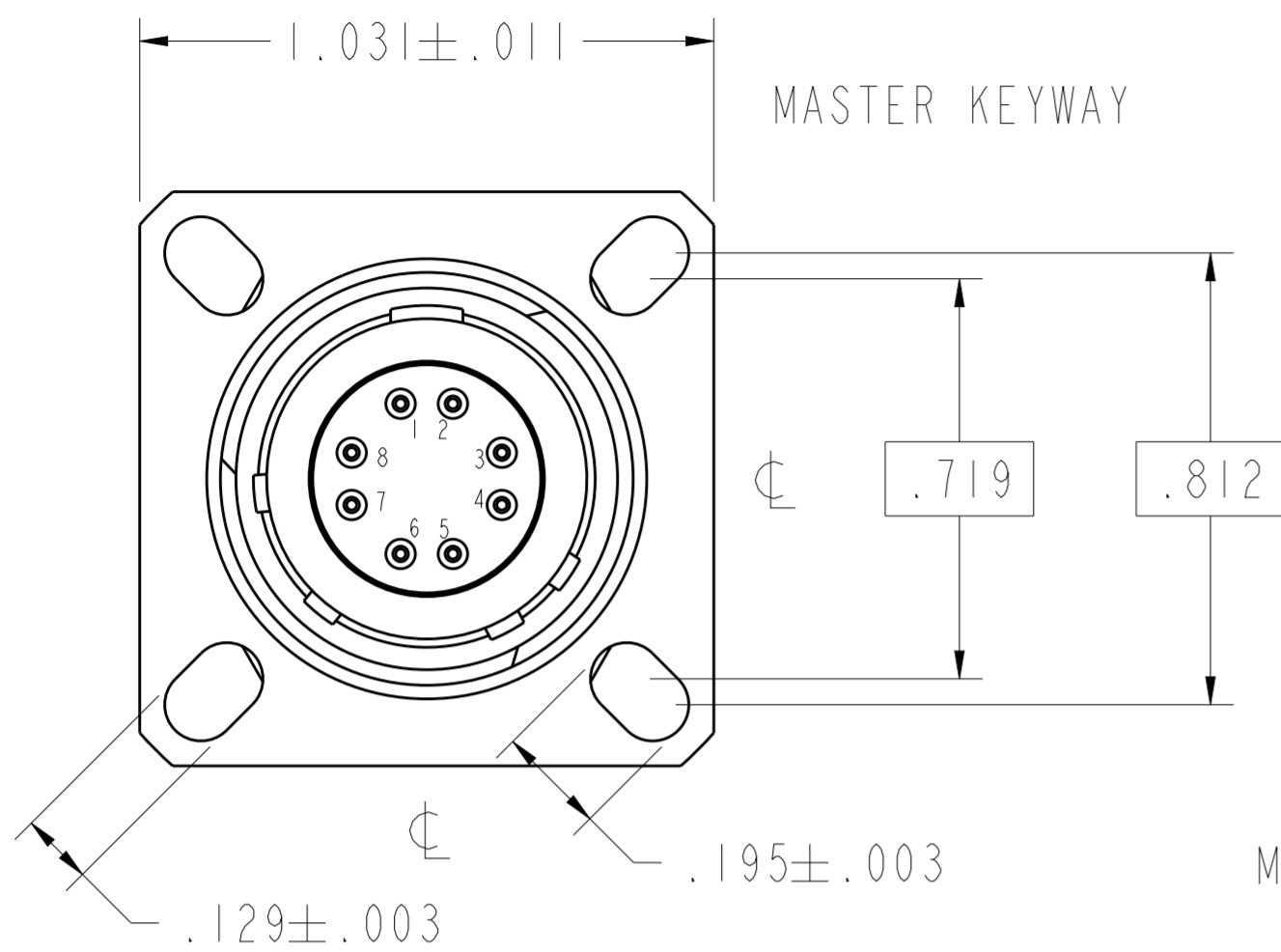


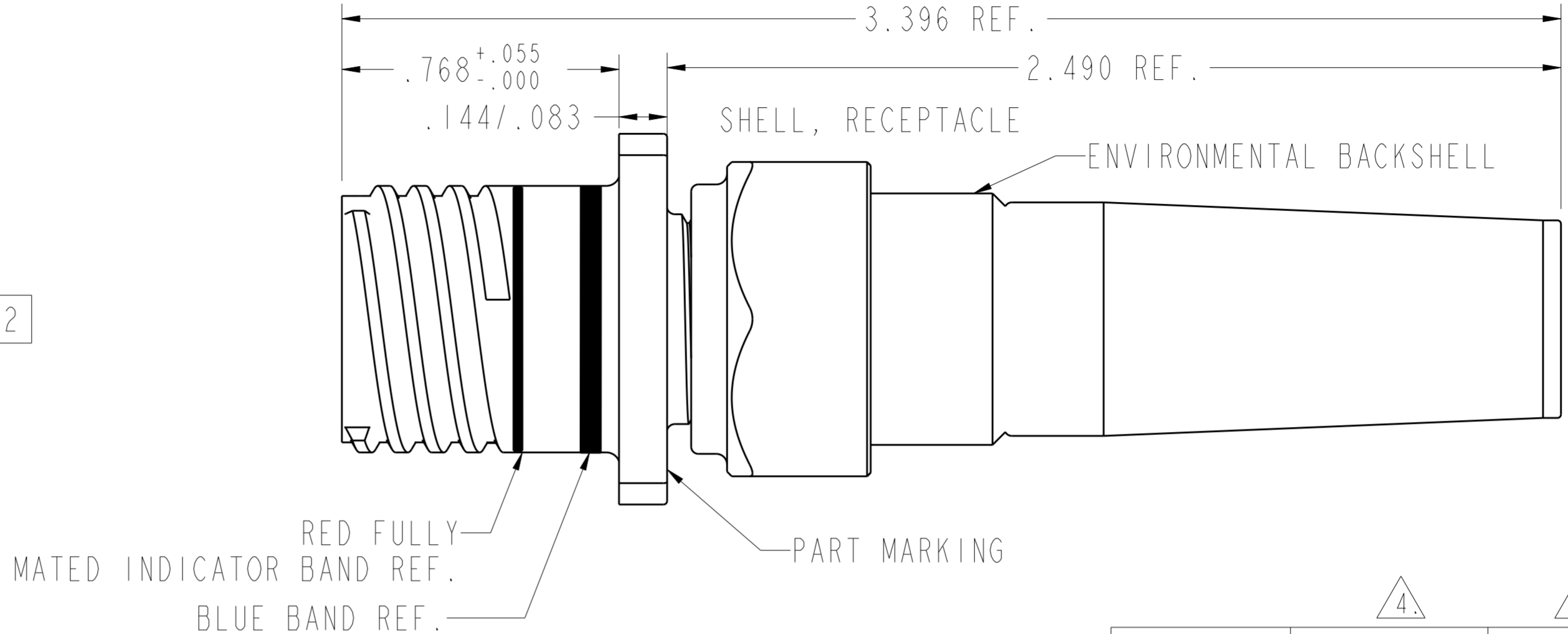
THIS DRAWING IS UNPUBLISHED. RELEASED FOR PUBLICATION 20
 © COPYRIGHT 20 ALL RIGHTS RESERVED.

PROPERTY OF THE TE CONNECTIVITY
 THIS INFORMATION IS CONFIDENTIAL AND PROPERTY TO TYCO ELECTRONICS CORPORATION
 AND ITS WORLDWIDE SUBSIDIARIES AND AFFILIATES (TE). IT MAY NOT BE DISCLOSED TO
 ANYONE, OTHER THAN TE PERSONNEL, WITHOUT AUTHORIZATION FROM TE (www.TE.com).

LOC		DIST		REVISIONS			
P	LTR	DESCRIPTION	DATE	DWN	APVD		
	A	NEW RELEASE PER ECO-16-000996	160121	JPF	JPF		



PIN INSERT MARKING SHOWN ABOVE



RED FULLY MATED INDICATOR BAND REF.
 BLUE BAND REF.

CFX20 (x)₁ 1108 (x)₂ Z (x)₃ xxx

- MODIFICATION
- KEYING POSITION:
N, A, B, C, D, E
- CONTACT TERMINATION:
Z = CRIMPED CONTACT
A THROUGH Y = EXTENDED CONTACT
(SEE SHEET 2)
- CONTACT FINISH:
P = PIN LOCALIZED GOLD FINISH
S = SOCKET LOCALIZED GOLD FINISH
F = PIN FULL GOLD FINISH
G = SOCKET FULL GOLD FINISH
H = PIN HI REL FINISH
J = SOCKET HI REL FINISH
A = LESS PIN CONTACT
B = LESS SOCKET CONTACT
- SHELL SIZE/INSERT ARRANGMENT
- PLATING/SHELL MATERIAL:
SEE TABLE
- BASIC IDENTIFIER

PART NUMBER (x) ₁	PLATING	SHELL MATERIAL
M	NICKEL	COMPOSITE
J	O.D. CAD	COMPOSITE
F	NICKEL	ALUMINUM
W	O.D. CAD	ALUMINUM
S	NICKEL	STAINLESS STEEL
T	TEFLON NICKEL	ALUMINUM
Z	BLACK ZINC NICKEL	ALUMINUM

SIZE 11 PART NUMBER (x) ₃	POS
CFX20x1108xZN	N
CFX20x1108xZA	A
CFX20x1108xZB	B
CFX20x1108xZC	C
CFX20x1108xZD	D
CFX20x1108xZE	E

6. COMPOSITE WEIGHT WITHOUT MODULES AND CABLE: 0.046 POUNDS.
 METAL WEIGHT WITHOUT MODULES AND CABLE: 0.078 POUNDS.
 PIN MODULE WEIGHT: .005 LBS.
 SOCKET MODULE WEIGHT: .011 LBS.

5. MATES WITH CFX26x1108xxx.

4. FINISH: SHELL/BACKSHELL - SEE TABLE.
 CONTACTS - SEE PART NUMBER BREAKDOWN.

3. MATERIAL: SHELL - SEE TABLE.
 BACKSHELL/ COUPLING RING - ALUMINUM ALLOY.
 CONTACTS - COPPER ALLOY.
 RESILIENT INSERTS/BACKSHELL GROMMET - SILICONE ELASTOMER.
 PLASTIC INSERTS - THERMOPLASTIC.

2. FOR AVAILABILITY CONSULT FACTORY.

1. ALL DIMENSIONS ARE IN INCHES UNLESS OTHERWISE SPECIFIED.

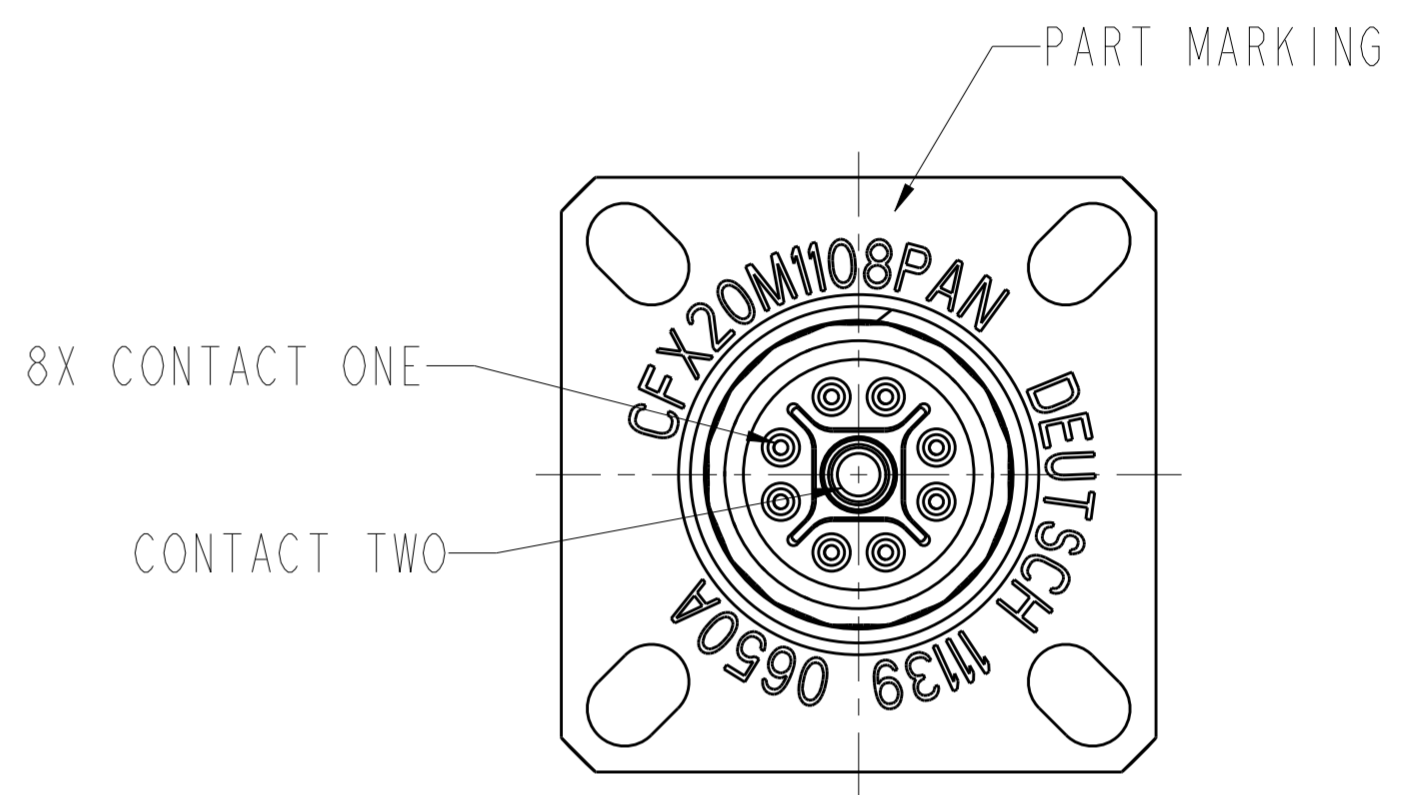
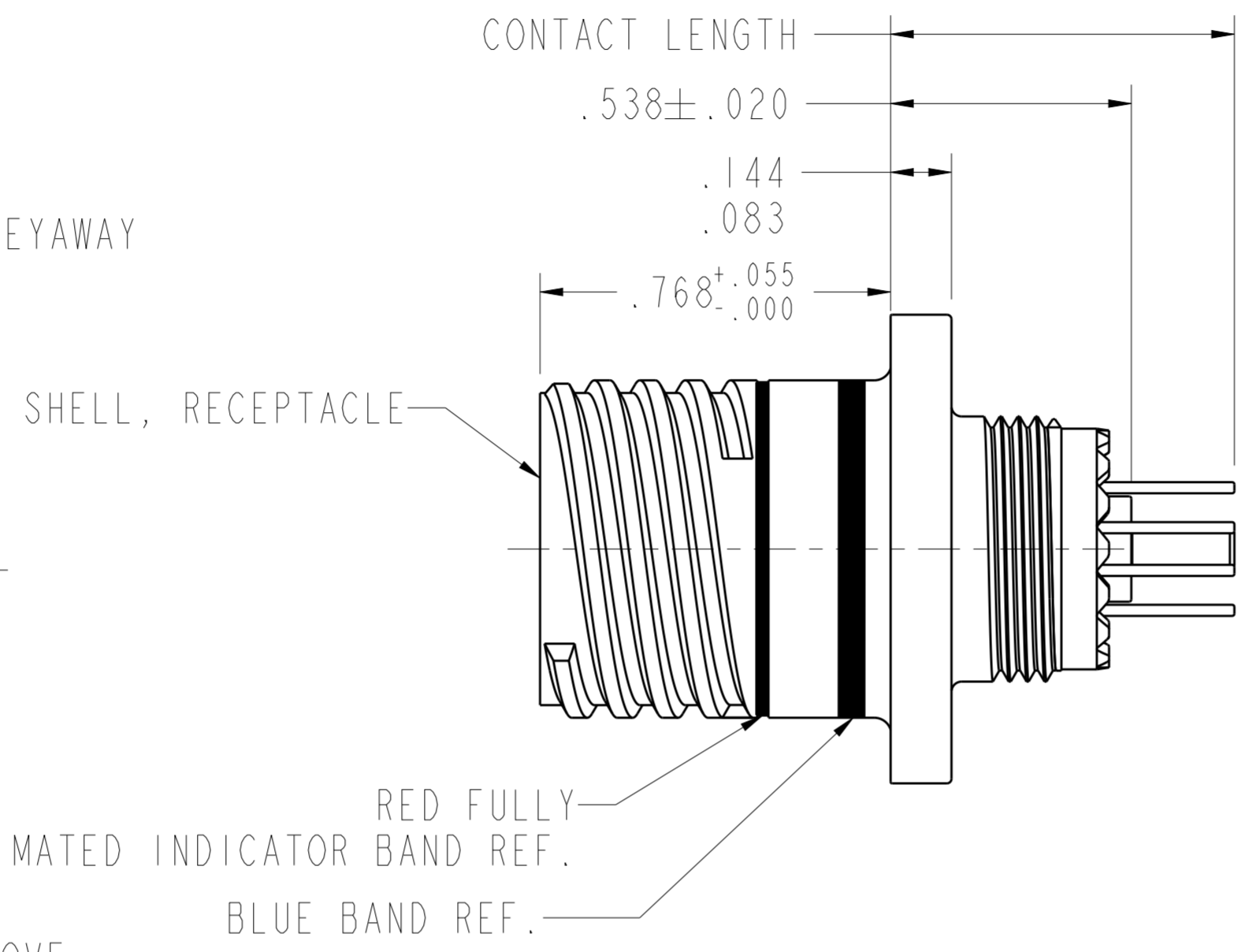
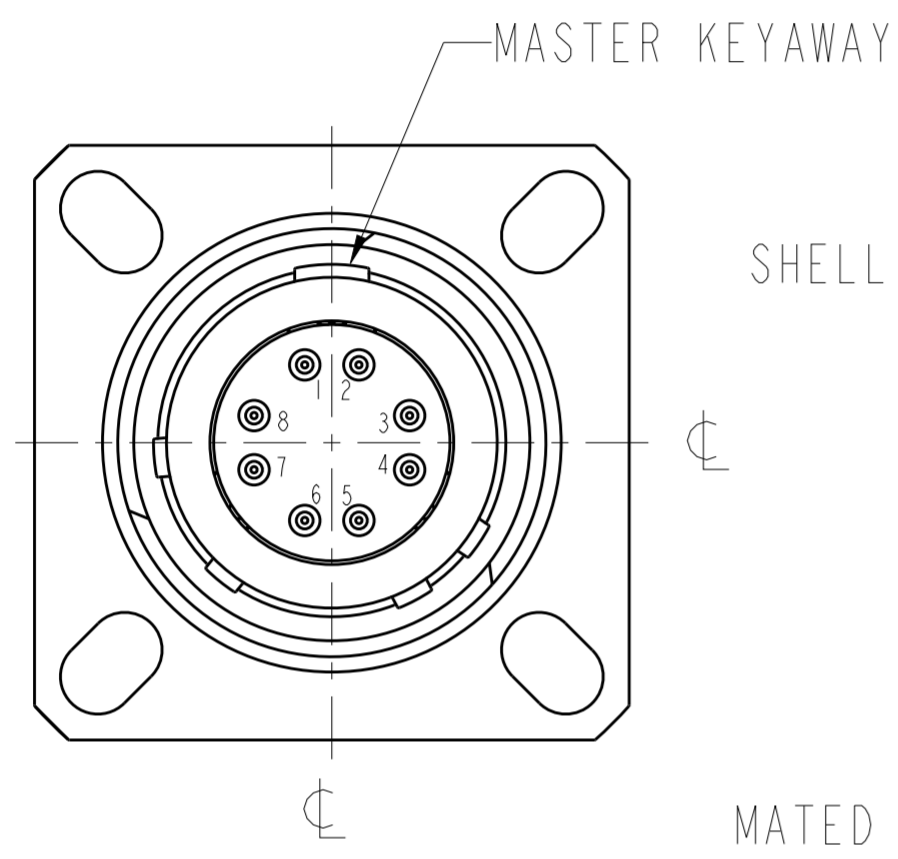
THIS DRAWING IS A CONTROLLED DOCUMENT.

DWN	JPF	140226	TE Connectivity			
CHK	JPF	160122				
APVD	AR	160122				
NAME	CONNECTOR, RECEPTACLE SQUARE FLANGE 1108 ARRANGEMENT					
DIMENSIONS:	INCH		SIZE	CAGE CODE	DRAWING NO	RESTRICTED TO
TOLERANCES UNLESS OTHERWISE SPECIFIED:		0 PLC ±1	A2	11139	CFX20x1108xxx	-
		1 PLC ±0.1	SCALE	1.000	SHEET	1 OF 3
		2 PLC ±0.01	CUSTOMER DRAWING		REV	A
		3 PLC ±0.005				
		4 PLC ±0.0005				
		ANGLES ±0.5				
		FINISH				

THIS DRAWING IS UNPUBLISHED. RELEASED FOR PUBLICATION 20
 © COPYRIGHT 20 ALL RIGHTS RESERVED.

PROPERTY OF THE TE CONNECTIVITY
 THIS INFORMATION IS CONFIDENTIAL AND PROPERTY TO TYCO ELECTRONICS CORPORATION
 AND ITS WORLDWIDE SUBSIDIARIES AND AFFILIATES (TE). IT MAY NOT BE DISCLOSED TO
 ANYONE, OTHER THAN TE PERSONNEL, WITHOUT AUTHORIZATION FROM TE (www.TE.com).

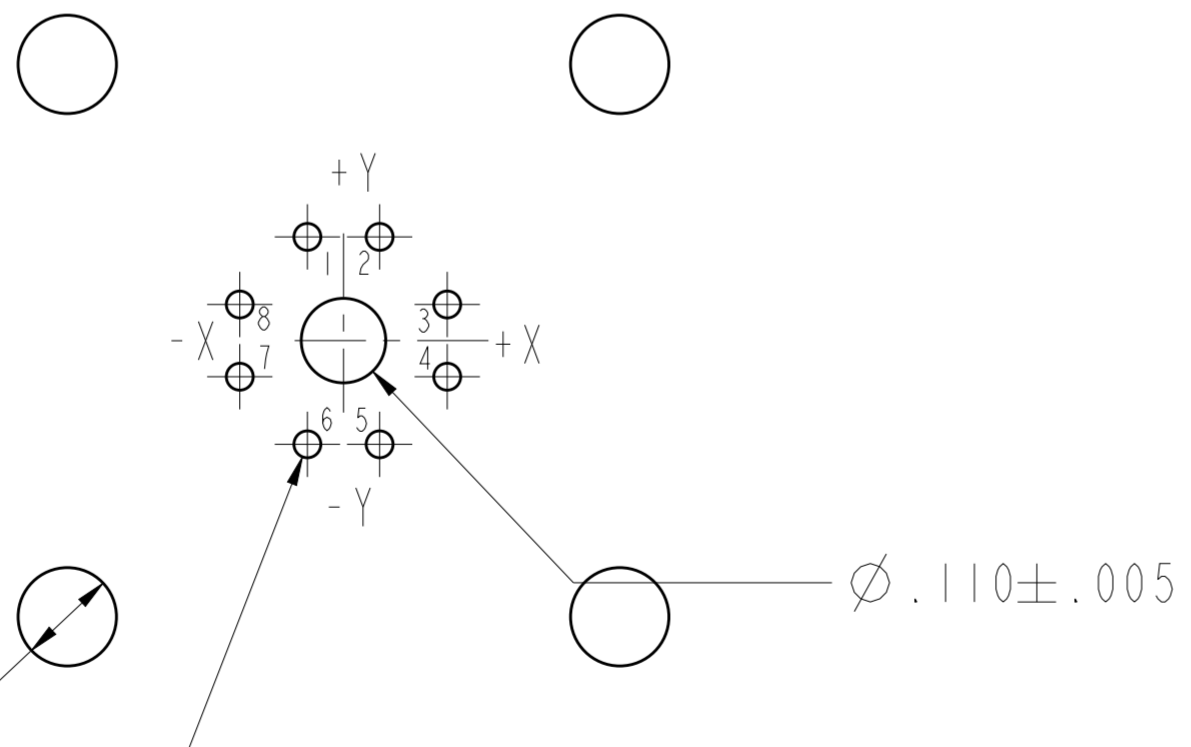
LOC		DIST		REVISIONS			
P	LTR	DESCRIPTION	DATE	DWN	APVD		
-	-	SEE SHEET 1	-	-	-		



PIN INSERT MARKING SHOWN ABOVE

RECEPTACLE WITH EXTENDED CONTACTS

INSERT ARRANGEMENT 1108 8 SIZE 22 CONTACTS		
CONTACT POSITION ID	LOCATION	
	X-AXIS	Y-AXIS
1	-.047	+.135
2	+.047	+.135
3	+.135	+.047
4	+.135	-.047
5	+.047	-.135
6	-.047	-.135
7	-.135	-.047
8	-.135	+.047



SIZE 11 SQUARE FLANGE
 FRONT PANEL MOUNTING.
 BOARD MOUNT LAYOUT
 PIN CAVITY LOCATIONS

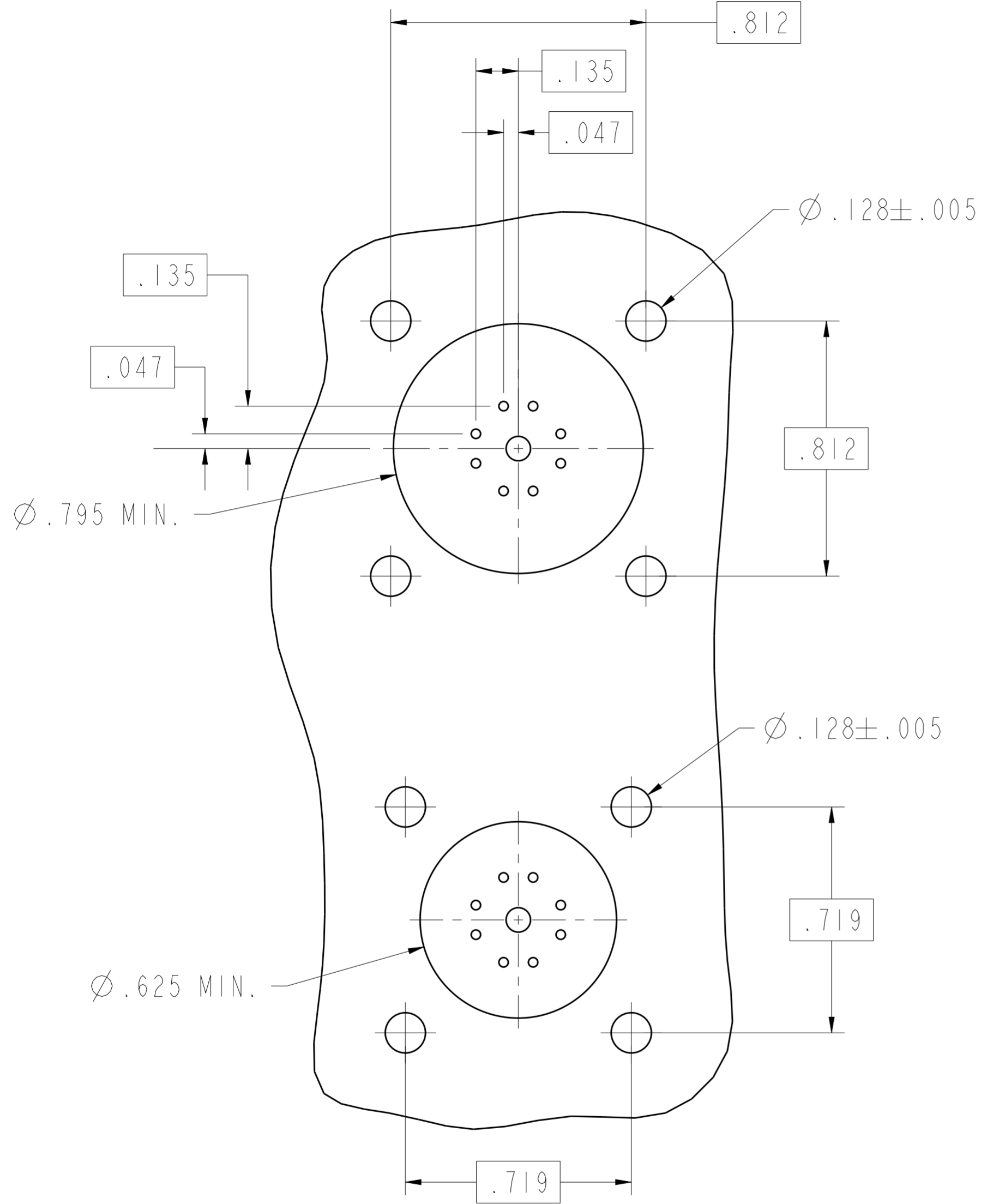
CONTACT CONFIGURATION IDENTIFIER	CONTACT LENGTH ±.025	CONTACT ONE DIAMETER ±.003	CONTACT TWO DIAMETER ±.003	PLATING ON TAIL
A	.762	.025	.095	GOLD OVER NICKEL
B	TBD			
C	TBD			
D	TBD			

THIS DRAWING IS A CONTROLLED DOCUMENT.		DWN 140226	STE TE Connectivity	
DIMENSIONS: INCH		CHK 160122		
TOLERANCES UNLESS OTHERWISE SPECIFIED:		APVD 160122	NAME CONNECTOR, RECEPTACLE SQUARE FLANGE 1108 ARRANGEMENT	
0 PLC ±1		PRODUCT SPEC	SIZE A2	
1 PLC ±0.1		APPLICATION SPEC	CAGE CODE 111139	
2 PLC ±0.01		WEIGHT	DRAWING NO C-CFX20x1108xxx	
3 PLC ±0.005		CUSTOMER DRAWING	RESTRICTED TO	
4 PLC ±0.0005		SCALE 1.000	SHEET 1 OF 3	
ANGLES ±0.5			REV A	
FINISH				

THIS DRAWING IS UNPUBLISHED. RELEASED FOR PUBLICATION 20
 © COPYRIGHT 20 ALL RIGHTS RESERVED.

PROPERTY OF THE TE CONNECTIVITY
 THIS INFORMATION IS CONFIDENTIAL AND PROPERTY TO TYCO ELECTRONICS CORPORATION
 AND ITS WORLDWIDE SUBSIDIARIES AND AFFILIATES (TE). IT MAY NOT BE DISCLOSED TO
 ANYONE, OTHER THAN TE PERSONNEL, WITHOUT AUTHORIZATION FROM TE (www.TE.com).

LOC		DIST		REVISIONS			
P	LTR	DESCRIPTION	DATE	DWN	APVD		
-		SEE SHEET 1	-	-	-		



BACK PANEL MOUNTING
 MAX DISTANCE BETWEEN MOUNTING SCREWS

FRONT PANEL MOUNTING
 MAX DISTANCE BETWEEN MOUNTING SCREWS

THIS DRAWING IS A CONTROLLED DOCUMENT.		DWN	140226	STE TE Connectivity	
DIMENSIONS: INCH		CHK	160122		
TOLERANCES UNLESS OTHERWISE SPECIFIED:		APVD	160122	NAME CONNECTOR, RECEPTACLE SQUARE FLANGE 1108 ARRANGEMENT	
0 PLC ±1		PRODUCT SPEC	-	SIZE	A2
1 PLC ±0.1		APPLICATION SPEC	-	CAGE CODE	11139
2 PLC ±0.01		WEIGHT	-	DRAWING NO	C-CFX20x1108xxx
3 PLC ±0.005		CUSTOMER DRAWING	-	RESTRICTED TO	-
4 PLC ±0.0005	FINISH	SCALE 1.000		SHEET 1 OF 3	REV A
ANGLES ±0.5					