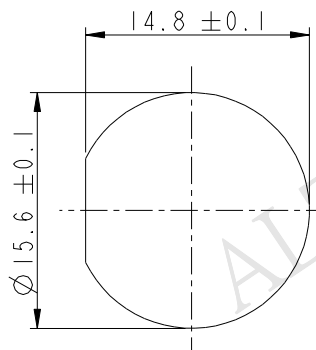
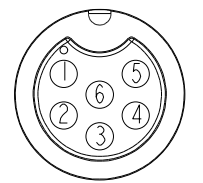
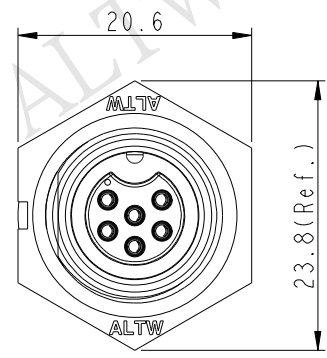
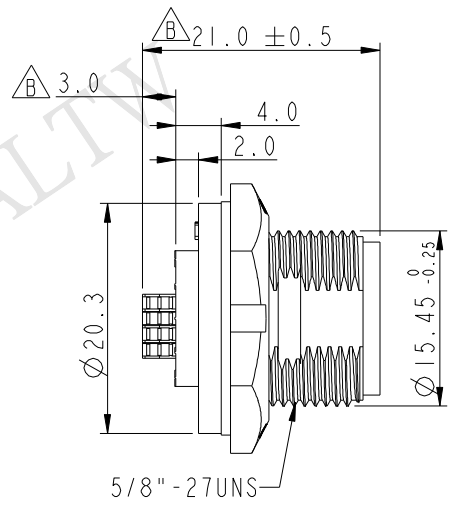
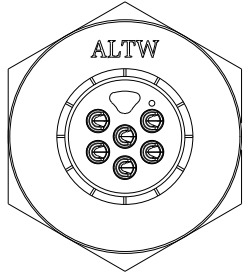


REV.	ECN NO.	DATE	SIGN	DESCRIPTION
B	LEN1680775~79	2016/08/17	Jinhai	Change Dimensions



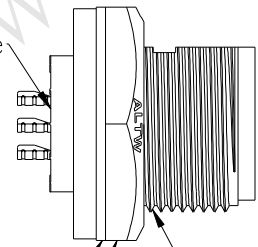
Recommended Panel Cut-Out



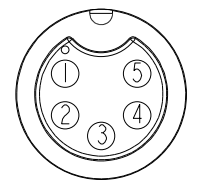
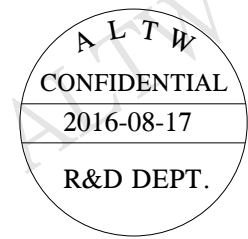
6 Pin Pin Assignments Front View

ABD-XXPMFS-SC7001
 02:2Pin
 :
 :
 06:6Pin

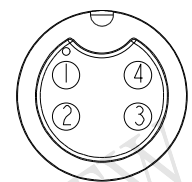
With Liquid Glue



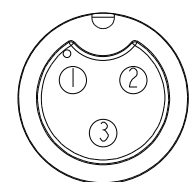
Gasket ②
 Screw Nut ③
 Connector ①



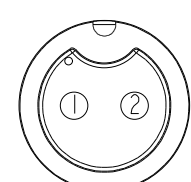
5 Pin



4 Pin



3 Pin



2 Pin

Pin Assignments Front View

- Note:
- * (C) Important Dimension To Check.
 - * Waterproof Rate: IP67
 - * Housing: Nylon+GF, Black
 - * Female Pin: Copper Alloy, Gold Plated
 - * Gasket: Silicone, Gray
 - * Screw Nut: Nylon+GF, Black
 - * Use with waterproof cap or dust cap
Maximum Panel Thickness: 3.3mm
 - * Use without waterproof cap or dust cap
Maximum Panel Thickness: 4.5mm

UNIT:mm		TITLE	STANDARD PANEL SCREW M CONN F PIN		
TOLERANCE	.X ±0.25 .XX ±0.1 .XXX ±0.05 ANGLES ±1°	SCALE	2:1	SIZE	A4
		REV.	B	WC-REV.	A.1
				(C) Inspection item	

Amphenol LTW
 安費諾亮泰企業股份有限公司

ITEM NO	DRAWN BY	DATE
	Jinhai	2016-08-17
DWG NO	CHECKED BY	DATE
ABD-XXPMFS-SC7001	Mafei	2016-08-17
CUSTOMER	APPROVED BY	DATE
ALTW	Jerry	2016-08-17

THIS DOCUMENT IS SUBJECT TO CHANGE WITHOUT NOTICE. IT IS CONFIDENTIAL AND A PROPERTY OF AMPHENOL LTW. DISCLOSURE TO THIRD PARTY HAS TO BE AUTHORIZED BY AMPHENOL LTW.