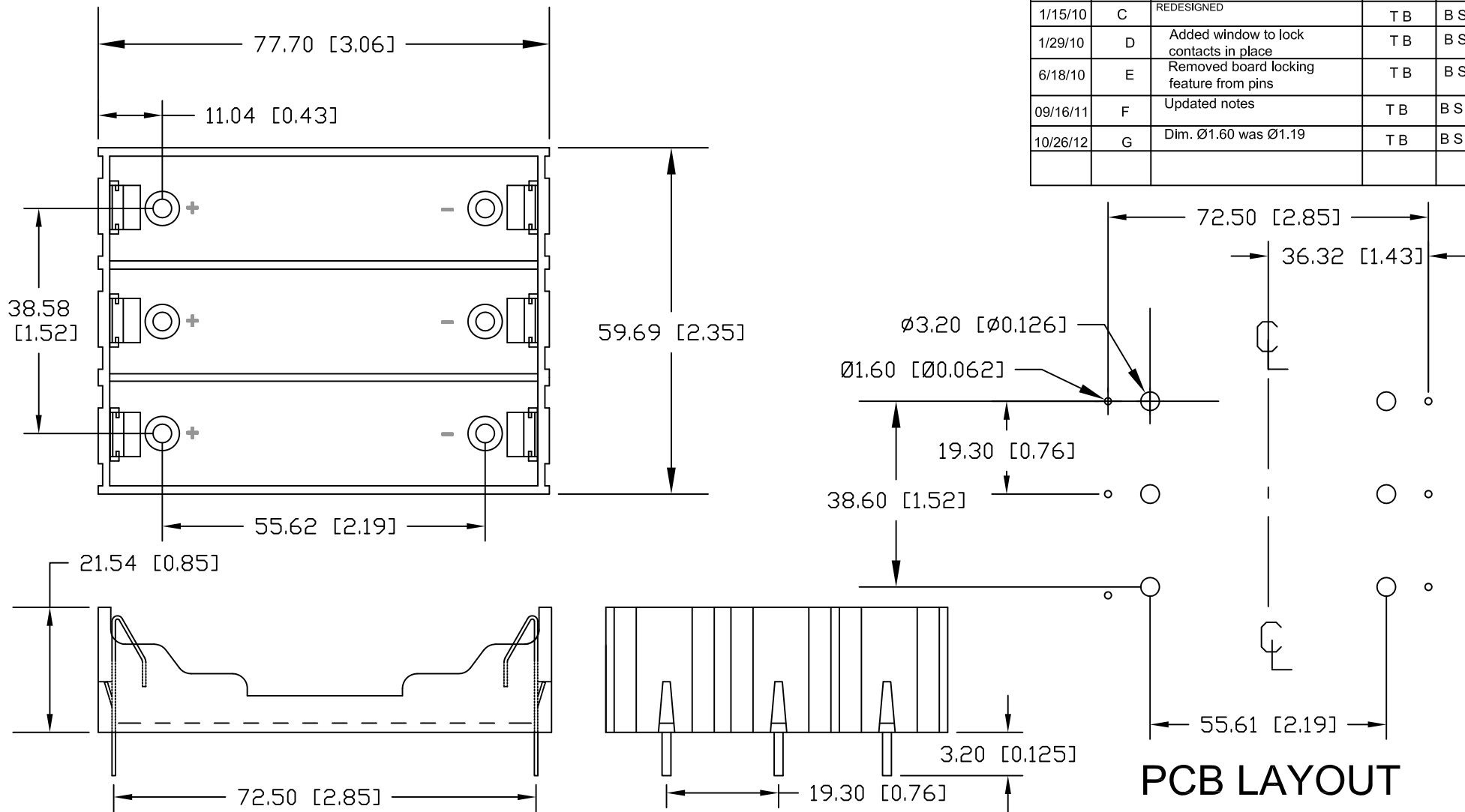



Date	SYM	REVISION RECORD	AUTH	DR.	CK.
1/15/10	C	REDESIGNED	T B	B S	
1/29/10	D	Added window to lock contacts in place	T B	B S	
6/18/10	E	Removed board locking feature from pins	T B	B S	
09/16/11	F	Updated notes	T B	B S	
10/26/12	G	Dim. Ø1.60 was Ø1.19	T B	B S	



## PCB LAYOUT

### NOTES:

Material: Self-extinguishing Thermoplastic Polyester, color black  
 Temperature Range: -40°C to +180°C  
 Contacts: 302 Stainless Steel Spring Temper, Nickel Plated  
 Flamability Rating: UL 94V-0  
 Dielectric Strength: 560 Volts/Mil. at 25°C for 5 Sec.  
 Resistance to Solvents: Xylene, ethyl, butyl, methyl & toluene  
 Weight: 29.07g.  
 ROHS COMPLIANT

Tolerance (Inches)	 <b>Memory Protection Devices, Inc</b> 200 Broad Hollow Road, Farmingdale, New York 11735		
Decimal ±.5 (.020)	Scale	Drawn By B.S.	
Fractional ±.8 (.030)	Approved By T.B.		
Angular ± 3°	Date 10/26/12	Title <b>THREE 18650 LI-ION CELL HOLDER</b> Drawing Number <b>BK-18650-PC6</b>	