

REV. Status

REVISION -  
08/04/94 TS

REVISION A  
T.H.D. -82dB TYP  
WAS -76dB MAX  
UPDATED AGENCY  
APPROVALS AND  
DIMENSIONS  
11/18/94 TS

REVISION B  
NEW FORMAT  
06/02/98 TS

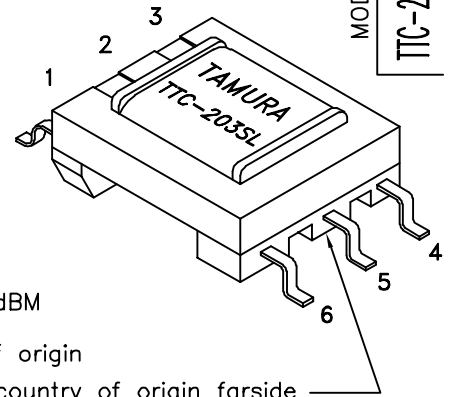
REVISION C  
ADDED PART  
NUMBER TSL203  
08/15/01 MP

SURFACE MOUNT TELECOMMUNICATIONS TRANSFORMER

- A. Electrical specifications (@ 25° C)
1. Pri source impedance; 600 Ω
  2. Sec load impedance; 346 Ω
  3. MAX output power; 3.6dBm (2.3mW)
  4. Frequency response; +0.15, -0.35dB 300Hz to 3.5KHz
  5. DC unbalance; 0mA
  6. Return loss; 25dB MIN @ 300Hz to 3.5KHz
  7. Insertion loss; 2.7dB ±0.4dB @ 1KHz
  8. Longitudinal balance; 60dB MIN @ 200Hz to 4KHz
  9. DC resistance;
    - (1-3) = 127 Ω ±15%
    - (4-6) = 150 Ω ±15%
  10. Turns ratio;
    - (1-3) : (4-6) = 1 : 1.00 ±2%
  11. Dielectric strength;
    - 1000Vrms 1 minute @ Pri to Sec, Pri to Core
    - 500Vrms 1 minute @ Sec to Core
  12. Total harmonic distortion; -82dB TYP @ 600Hz, -10dBm



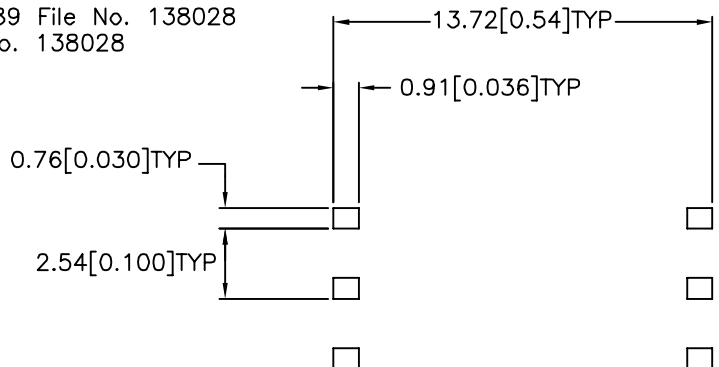
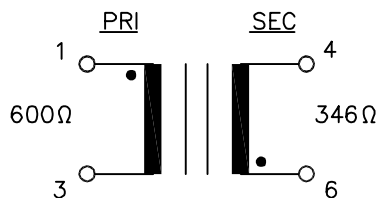
MODEL NUMBER  
TTC-203SL OR TSL203



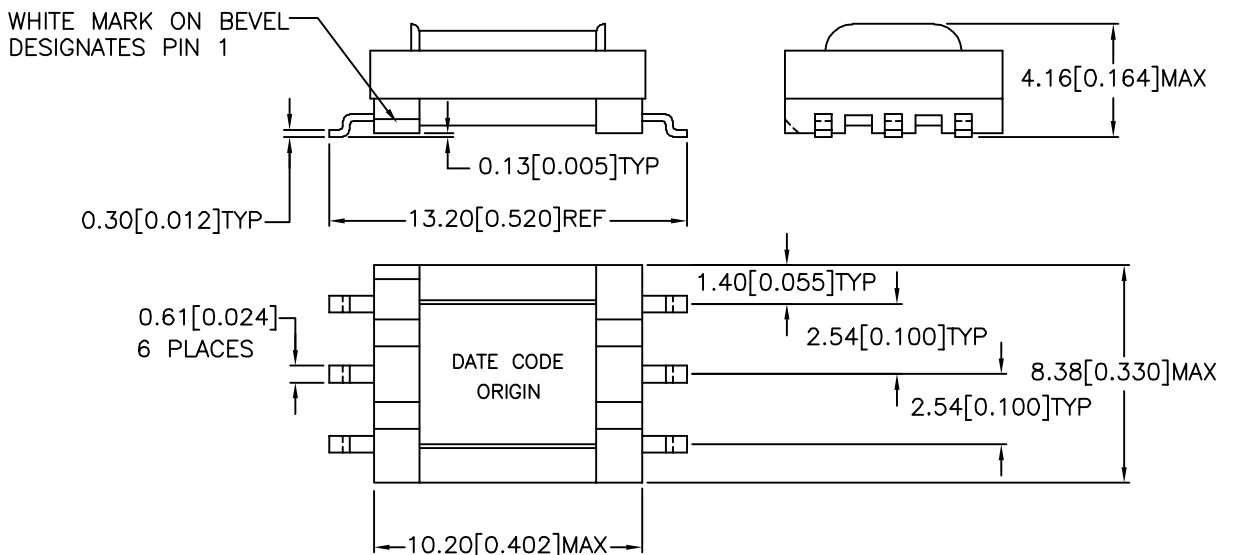
- B. Marking; TTC-203SL, TAMURA, date code and country of origin or TSL203, TAMURA and date code Date code and country of origin farside

- C. Safety; CSA-C22.2 No. 950-M89 File No. 138028  
UL1459, UL1950 File No. 138028

D. Schematic diagram



- E. Mechanical specifications  
All dimensions shown are nominal unless otherwise specified



PREPARED BY:

D. Rund  
ENGINEER:

M. Pitchai

QUALITY CONTROL:

D. Kelley

APPROVED:

D. Kelley

DWG CONTROL NO.  
P-A1-11084  
ACAD\TTC\A1110841.DWG

REV  
C

TELECOMMUNICATION SURFACE MOUNT  
DRY COUPLING TRANSFORMER

**TAMURA CORPORATION OF AMERICA**  
43352 BUSINESS PARK DRIVE, TEMECULA, CA. 92590-6624  
(909) 699-1270 FAX 9096769482

TTC-203SL OR TSL203

MODEL SPECIFICATION

DIM: mm(in) SCL: 4/1 SH: 1 OF 1

PROPRIETARY NOTICE: THIS DRAWING PRINT OR DOCUMENT AND SUBJECT MATTER DISCLOSED HEREIN ARE PROPRIETARY ITEMS TO WHICH TAMURA RETAINS THE EXCLUSIVE RIGHT OF DISSEMINATION, REPRODUCTION, MANUFACTURE AND SALE. THIS DRAWING, PRINT OR DOCUMENT IS SUBMITTED IN CONFIDENCE FOR CONSIDERATION BY THE RECIPIENT ALONE UNLESS PERMISSION FOR FURTHER DISCLOSURE IS EXPRESSLY GRANTED IN WRITING.