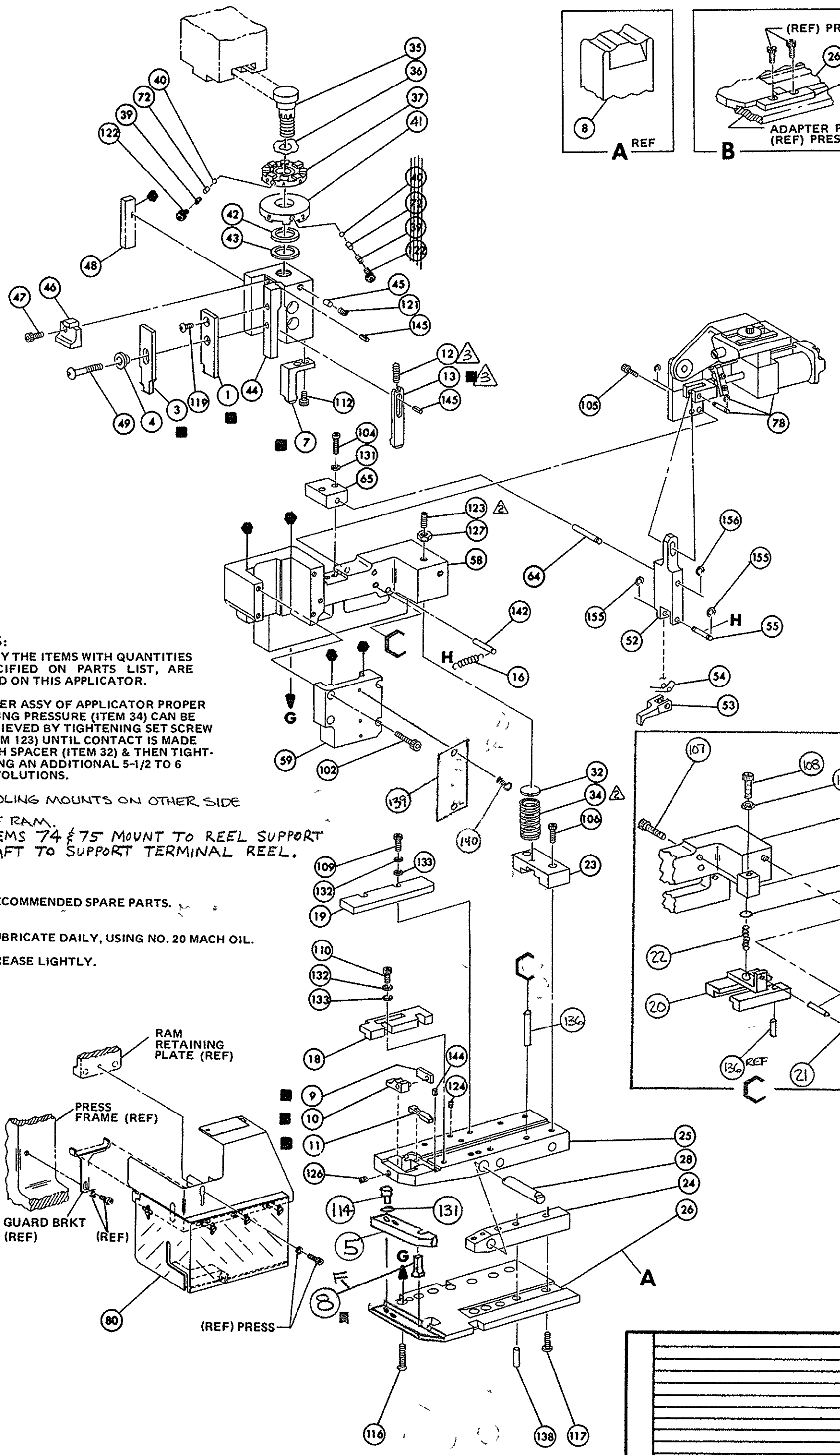


THIS IS A CONTROLLED DOCUMENT.



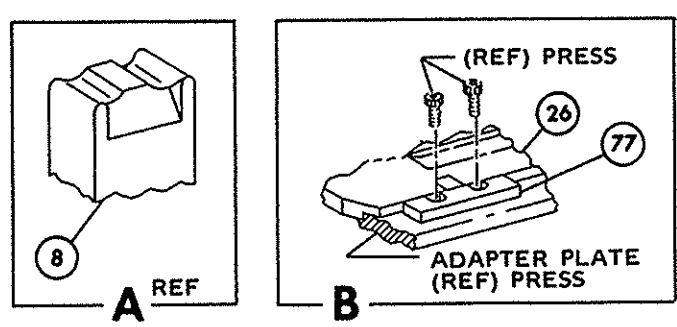
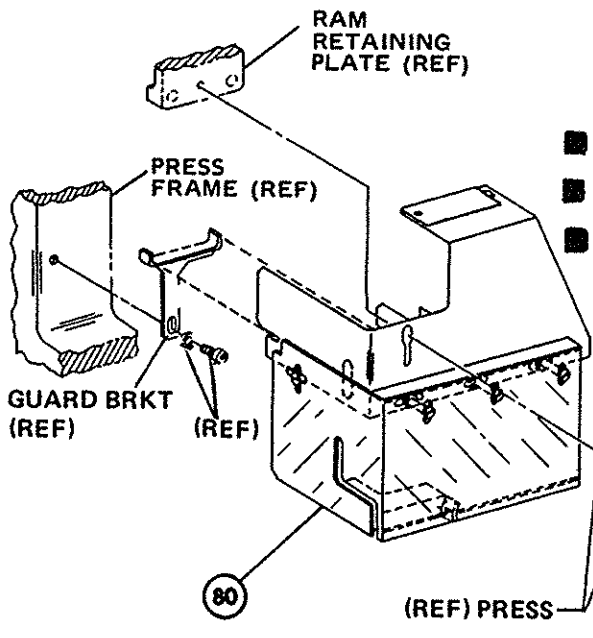
NOTES:
 1. ONLY THE ITEMS WITH QUANTITIES SPECIFIED ON PARTS LIST, ARE USED ON THIS APPLICATOR.

2. AFTER ASSY OF APPLICATOR PROPER SPRING PRESSURE (ITEM 34) CAN BE ACHIEVED BY TIGHTENING SET SCREW (ITEM 123) UNTIL CONTACT IS MADE WITH SPACER (ITEM 32) & THEN TIGHTENING AN ADDITIONAL 5-1/2 TO 6 REVOLUTIONS.

3. TOOLING MOUNTS ON OTHER SIDE OF RAM.

4. ITEMS 74 & 75 MOUNT TO REEL SUPPORT SHAFT TO SUPPORT TERMINAL REEL.

- KEY:**
- - RECOMMENDED SPARE PARTS.
 - ▼ - LUBRICATE DAILY, USING NO. 20 MACH OIL.
 - - GREASE LIGHTLY.



REQ	PART NO.	DESCRIPTION	NO.	REQ	PART NO.	DESCRIPTION	NO.
1	21986-2	RING RET "E" (3/16 DIA) PIVOT ARM	156	1	456987-1	BLOCK, PIVOT	65
2	21045-3	RING RET "C" (3/16 DIA) FEED PIN	155	1	457058-1	PIN, PIVOT	64
			154				63
			153				62
			152				61
			151				60
			150	1	455164-1	CAP, HOUSING	59
			149	1	458972-1	HOUSING	58
			148				57
			147				56
2	4- 21028-9	PIN SLOT SPG (1/8 DIA X .38) RAM	146	1	240624-1	PIN, FEED FINGER	55
1	3- 21028-2	PIN, SLOT SPG (3/32 DIA X .25) REAR SHEAR PL	145	1	691499-1	SPRING, FEED FINGER	54
			144	1	690584-6	FINGER, FEED	53
1	3- 22183-7	PIN, GROVE (.187 DIA X .88) FD RETURN SPG	143	1	457057-1	ARM, PIVOT	52
			142				51
			141				50
2	21017-2	SCR, DRIVE (#2 X .19) ID PLATE	140	1	3-21002-5	BOLT, CRIMPER	49
1	461264-1	PLATE, ID	139				48
1	21029-5	PIN, SLOTTED (3/16 DIA X .75) BASE PLATE	138		22353-8	SCREW, SHOULDER	47
1	21029-3	PIN, SLT, SPRING (.187 DIA X .62 LG.) DRAG	137			BLOCK, INSUL ADJUSTMENT	46
2	1-21030-6	PIN, DOWEL (.187 X 1.25 LG.) DRAG	136	1	690191-1	PLUG, NYLON	45
			135	1	691533-1	RAM	44
1	21899-1	WASHER, FLAT (#6) DRAG	134	1	690125-1	WASHER, LAMINATED	43
4	1- 21899-3	WASHER, FLAT (NO. 8) DRAG STUD & STR GDS	133	1	690124-4	WASHER, RAM	42
4	21024-4	WASHER, LOCK (No. 8) STRIP GUIDE	132	1	690223-1	DISC, SPACER	41
4	21024-5	WASHER, LOCK (No. 10) PIVOT BLOCK & RET. PLATE	131	1	23241-6	BALL, STEEL	40
			130	1	690170-1	SPRING, DISC.	39
			129			DISC., INSULATION	38
			128	1	8-690141-1	DISC., WIRE	37
1	21018-7	NUT, HEX (#10) DRAG	127	1	22480-5	WASHER, SPRING	36
1	1- 22202-7	NUT, HEX MACH (5/16-24) SPRING HOUSING	126	1	690212-1	POST, RAM	35
			125	1	3- 23846-5	SPRING, HINGE BAR	34
1	21061-9	SCREW, SKT SET (8-32 X .25) ANVIL INSERT	124				33
2	3- 21012-1	SCREW, SKT SET (8-32 X .38) DRAG	123	1	690573-1	SPACER, SPRING	32
2	4- 21006-0	SCREW, SKT SET (8-32 X .25) HINGE PIN	122				31
1	8- 21007-5	SCREW, SKT SET (5/16-24 X .75) SPRING HOUSING	121		22354-8	STUD, DRAG	30
1	3- 23657-8	SCREW, SKT HD CAP (NYLOK) (6-32 X .25) C.P. DISC.	120				29
1	21009-2	SCREW, SKT SET (1/4-20 X .25) C.P. RAM	119	1	690582-1	PIN, HINGE	28
			118				27
3	3- 21002-4	SCREW, BTN HD SKT CAP (1/4-20 X .62) BLK STAB	117	1	463873-1	PLATE, BASE	26
4	1-24073-9	SCREW, BTN HD SKT CAP (1/4-20 X .75) HOUSING	116	1	691535-2	BAR, HINGE	25
			115	1	690571-1	BLOCK, STABILIZER	24
2	7-21000-6	SCREW, FL HD SKT CAP (10-32 X .31) ANVIL MTG. PL.	114	1	81A227-2	BLOCK, PRESSURE	23
			113	1	7-22282-5	SPRING, DRAG	22
2	3- 23657-4	SCREW, SKT HD CAP (6-32 X .50) NYLOK, SL BLADE	112	1	458968-1	LEVER, DRAG	21
1	1-22353-9	SCR, SHLD SLT HD. (.250 X .250) DRAG	111	1	458960-1	DRAG, STOCK	20
2	2- 21000-7	SCREW, SKT HD CAP (8-32 X .50) FR STRIP GUIDE	110	1	691530-3	GUIDE, STRIP, REAR	19
2	2- 21000-8	SCREW, SKT HD CAP (8-32 X .62) REAR STRIP GD	109	1	691529-2	GUIDE, STRIP, FRONT	18
1	3-21000-9	SCR, SOC. HD. CAP (10-32 X 1.00) DRAG	108				17
2	4-21000-0	SCR, SOC. HD. CAP (10-32 X 1.25) DRAG	107	1	2- 22287-6	SPRING, FEED RETURN	16
2	2- 21000-9	SCREW, SKT HD CAP (8-32 X .75) PRESS BLOCK	106				15
2	21001-3	SCREW, SKT HD CAP (1/4-20 X .62) AIR FD ASSY	105				14
2	3- 21000-8	SCREW, SKT HD CAP (10-32 X .88) PIVOT BLOCK	104	1	692134-8	POSITIONER, TERMINAL	13
			103	1	5- 22280-5	SPRING, TERM. POSITIONER	12
4	3- 21000-8	SCREW, SKT HD CAP (10-32 X .88) HSG CAP	102	1	691525-3	PLATE, REAR SHEAR	11
			101	1	691524-2	INSERT, ANVIL	10
1	457244-2	GUARD ASSEMBLY	80	1	690569-4	PLATE, FRONT SHEAR	9
			79	1	691523-5	ANVIL	8
1	457098-1	AIR FEED ASSEMBLY	78	1	691522-3	BLADE, SLUG	7
1	694427-1	PLATE, APPLICATOR, MOUNTING	77				6
			76	1	463874-1	PLATE, ANVIL MOUNTING	5
2	21001-6	SCR, SOC. HD. CAP 1/4-20 X 1.00	75			SPACER TUBULAR, INSUL CRIMPER	4
2	682131-1	WASHER, BEVELED	74			CRIMPER, INSULATION	3
1	458969-1	SPRING, RET. DRAG	73				2
1	690603-1	SPRING, ASSIST	72	1	691531-1	CRIMPER, WIRE	1

REQ	PART NO.	DESCRIPTION	NO.	REQ	PART NO.	DESCRIPTION	NO.
1	21061-9	SCREW, SKT SET (8-32 X .25) ANVIL INSERT	126	1	690212-1	POST, RAM	35
2	3- 21012-1	SCREW, SKT SET (8-32 X .38) DRAG	125	1	3- 23846-5	SPRING, HINGE BAR	34
2	4- 21006-0	SCREW, SKT SET (8-32 X .25) HINGE PIN	124				33
1	8- 21007-5	SCREW, SKT SET (5/16-24 X .75) SPRING HOUSING	123	1	690573-1	SPACER, SPRING	32
1	3- 23657-8	SCREW, SKT HD CAP (NYLOK) (6-32 X .25) C.P. DISC.	122				31
1	21009-2	SCREW, SKT SET (1/4-20 X .25) C.P. RAM	121	2	22354-8	STUD, DRAG	30
			120				29
1	2- 21002-1	SCREW, BTN HD SKT CAP (8-32 X .38) CRIMPER	119	1	690582-1	PIN, HINGE	28
			118				27
3	3- 21002-4	SCREW, BTN HD SKT CAP (1/4-20 X .62) BLK STAB	117	1	463873-1	PLATE, BASE	26
4	1-24073-9	SCREW, BTN HD SKT CAP (1/4-20 X .75) HOUSING	116	1	691535-2	BAR, HINGE	25
			115	1	690571-1	BLOCK, STABILIZER	24
2	7-21000-6	SCREW, FL HD SKT CAP (10-32 X .31) ANVIL MTG. PL.	114	1	81A227-2	BLOCK, PRESSURE	23
			113	1	7-22282-5	SPRING, DRAG	22
2	3- 23657-4	SCREW, SKT HD CAP (6-32 X .50) NYLOK, SL BLADE	112	1	458968-1	LEVER, DRAG	21
1	1-22353-9	SCR, SHLD SLT HD. (.250 X .250) DRAG	111	1	458960-1	DRAG, STOCK	20
2	2- 21000-7	SCREW, SKT HD CAP (8-32 X .50) FR STRIP GUIDE	110	1	691530-3	GUIDE, STRIP, REAR	19
2	2- 21000-8	SCREW, SKT HD CAP (8-32 X .62) REAR STRIP GD	109	1	691529-2	GUIDE, STRIP, FRONT	18
1	3-21000-9	SCR, SOC. HD. CAP (10-32 X 1.00) DRAG	108				17
2	4-21000-0	SCR, SOC. HD. CAP (10-32 X 1.25) DRAG	107	1	2- 22287-6	SPRING, FEED RETURN	16
2	2- 21000-9	SCREW, SKT HD CAP (8-32 X .75) PRESS BLOCK	106				15
2	21001-3	SCREW, SKT HD CAP (1/4-20 X .62) AIR FD ASSY	105				14
2	3- 21000-8	SCREW, SKT HD CAP (10-32 X .88) PIVOT BLOCK	104	1	692134-8	POSITIONER, TERMINAL	13
			103	1	5- 22280-5	SPRING, TERM. POSITIONER	12
4	3- 21000-8	SCREW, SKT HD CAP (10-32 X .88) HSG CAP	102	1	691525-3	PLATE, REAR SHEAR	11
			101	1	691524-2	INSERT, ANVIL	10
1	457244-2	GUARD ASSEMBLY	80	1	690569-4	PLATE, FRONT SHEAR	9
			79	1	691523-5	ANVIL	8
1	457098-1	AIR FEED ASSEMBLY	78	1	691522-3	BLADE, SLUG	7
1	694427-1	PLATE, APPLICATOR, MOUNTING	77				6
			76	1	463874-1	PLATE, ANVIL MOUNTING	5
2	21001-6	SCR, SOC. HD. CAP 1/4-20 X 1.00	75			SPACER TUBULAR, INSUL CRIMPER	4
2	682131-1	WASHER, BEVELED	74			CRIMPER, INSULATION	3
1	458969-1	SPRING, RET. DRAG	73				2
1	690603-1	SPRING, ASSIST	72	1	691531-1	CRIMPER, WIRE	1

TERM APPL SPEC 114-2078

CRIMPING DATA				THIS APPLICATOR WILL APPLY	
PAD LETTER	CRIMP HEIGHT	WIRE SIZE	WIRE STRIP LENGTH		
A	.072	12		62056-2	
B	.062	14		62056-4	
C	.056	16			
D	.052	18			
CRIMP	SIZE	TYPE	FEED	PRESS (REF)	
WIRE	.160	T.L.	.760	565435-5	
INSULATION	RANGE	WIRE RANGE	APPLICATOR INSTRUCTION		
INSULATION	-#	-#	18-12	AMP-O-LECTRIC® PRESS (AIR FEED)	
REMARKS: AMP-O-LECTRIC® PRESS (AIR FEED)					

LTR	REVISION RECORD	ECN	DATE	LTR	REVISION RECORD	ECN	DATE
M	ECK-09-024640			JM	11-09		
L	ECN 0150-11457-04						
K	ECN A-304971						
J	ECN A-194689						
H	REV PER ECN A-5616						
G	ADDED ITEMS 74 & 75	R275	11-78				
F	REV. PER ECN	R275	11-78				
E	REV. PER ECN	R275	11-78				
D	REV. PER ECN	R275	11-78				
C	INACTIVE PER ECN	R275	11-78				
B	REV. PER ECN	R275	11-78				
A	REV. PER ECN	R275	11-78				

APPLICATOR, MINIATURE QUICK CHANGE HINGE BAR, E.F (TAB LOK (LEFT HAND))
 CUSTOMER ACCESSIBLE PRODUCTION DRAWING

NO. 687638-0

THIS INFORMATION IS CONFIDENTIAL AND IS DISCLOSED TO YOU ON CONDITION THAT THIS DRAWING IS UNPUBLISHED. BY AMP INCORPORATED ALL RIGHTS RESERVED. COPYRIGHT 1989.

3067-1