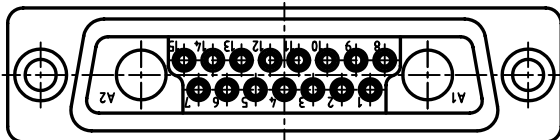
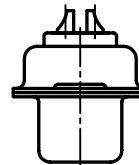
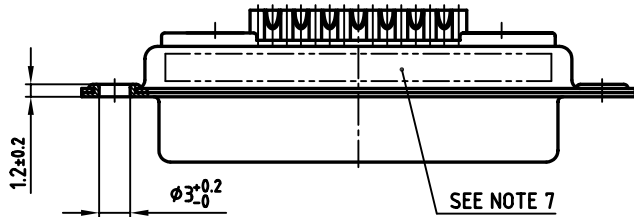
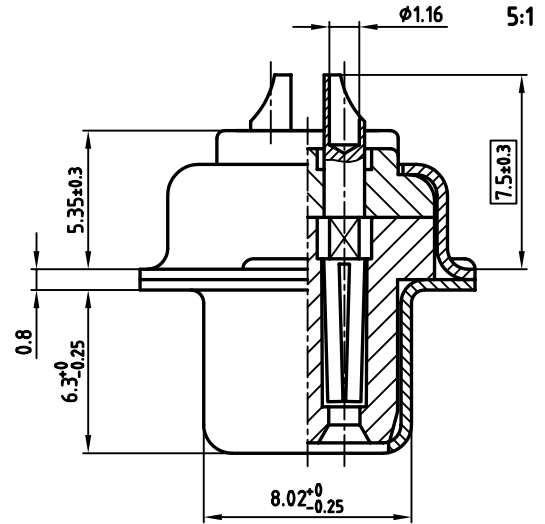
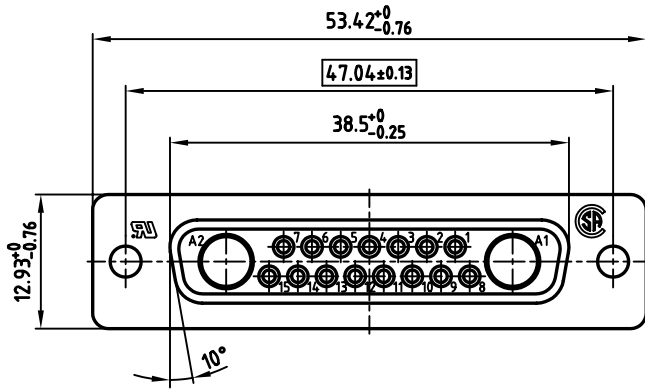


used for: D-SUB COMBINATION



NOTES:

1. METALSHELLS: STEEL; min. 320µ" TIN
2. INSULATORS: PBT GF UL 94 V-0, GREEN
3. SIGNAL CONTACTS: COPPER ALLOY
4. PLATING: min. 30µ" HARD GOLD OVER min. 50µ" NICKEL
5. SOLDER CUP ACCEPTS CABLE AWG 20
6. NO CONTACTS ON POS A1 + A2
7. CONNECTOR IS PART MARKED: PART NO: CONEC Y/WW
8. = CRITICAL DIMENSION: SPC

PART-NO.	CFM PART-NO.
3017W2SCM99A10X	CFMP17W2S-K121

THIS DRAWING MAY NOT BE COPIED OR REPRODUCED IN ANY WAY, AND MAY NOT BE PASSED ON TO A THIRD PARTY, WITHOUT WRITTEN PERMISSION. OWNERSHIP AND COPYRIGHT OF CONEC GmbH DO NOT ALTER CAD DRAWING BY HAND

rev.	description	date	name

tolerance	
drawn	02.08. Schmidt
appd.	02.08. E. Mickenbecker
norm	
d-old	

scale:	2:1 (5:1)
material:	SEE NOTES
title:	D-SUB COMBINATION FEMALE 17W2S SOLDER CUP
dwg no:	AutoCAD 2000
part no:	SEE TABLE

Directive 2002/95/EC
 „RoHS“
 Compliant



DIN-A
3
sh: 1/1