

ELECTRICAL SPECIFICATIONS:

1.0 TURNS RATIO: (P3-P2) : (J4-J5) : 1 : 1 ±2%
 (P5-P4) : (J6-J3) : 1 : 1 ±2%
 (P9-P8) : (J8-J7) : 1 : 1 ±2%
 (P10-P11) : (J2-J1) : 1 : 1 ±2%

2.0 INDUCTANCE: (P3-P2) ; (P5-P4) : 350 uH MIN. @ 0.1V, 100KHz, 8 mA DC BIAS
 (P10-P11) ; (P9-P8) : 350 uH MIN. @ 0.1V, 100KHz, 8 mA DC BIAS

3.0 LEAKAGE INDUCTANCE: P3-P2 (WITH J4 AND J5 SHORT) : 0.3uH MAX. @ 1MHz
 P5-P4 (WITH J6 AND J3 SHORT) : 0.3uH MAX. @ 1MHz
 P9-P8 (WITH J8 AND J7 SHORT) : 0.3uH MAX. @ 1MHz
 P10-P11 (WITH J1 AND J2 SHORT) : 0.3uH MAX. @ 1MHz

4.0 INTERWINDING CAPACITANCE: (P3-P2) : (J4-J5) : 35pf MAX @ 1MHz
 (P5-P4) : (J6-J3) : 35pf MAX @ 1MHz
 (P9-P8) : (J5-J4) : 35pf MAX @ 1MHz
 (P10-P11) : (J2-J1) : 35pf MAX @ 1MHz

5.0 DC RESISTANCE: (J6-J3) ; (J2-J1) ; (J7-J8) : (J4-J5) : 1.2 ohms Max.



InNet Technologies, Inc.
<http://www.innet-tech.com>



Stewart Connector Systems
<http://www.stewartconnector.com>

SHEET
1 OF 4

DRAWING NO.

SI-50080 REV. 07

6.0 RETURN LOSS: 1MHz TO 30MHz	: -19dB MIN.
30MHz TO 60MHz	: -13dB MIN.
60MHz TO 80MHz	: -12dB MIN.
80MHz TO 100MHz	: -10dB MIN.
7.0 DIELECTRIC WITHSTAND: (J1,J2) TO (P10,P11) ; (J5,J4) TO (P3-P2)	: 1500 VAC
(J3,J6) TO (P5,P4) ; (J8,J7) TO (P9, P8)	: 1500 VAC
8.0 INSERTION LOSS: RS=RL=100 ohms	
100KHz TO 125MHz	: -1.1 dB TYP
9.0 RISE TIME: RS=100 OHMS AND RL = 100 OHMS	
OUTPUT VOLTAGE = 1 V peak	: 3.0 nS MAX
PULSE WIDTH= 112nS	: 3.0 nS MAX
10.0 CROSS TALK: 1-100 MHz	: $-[33-20 \text{ LOG } (\frac{F}{50 \text{ MHz}})] \text{ MIN.}$
11.0 COMMON TO COMMON MODE ATTENUATION: 1MHz TO 100MHz	: -35dB TYP



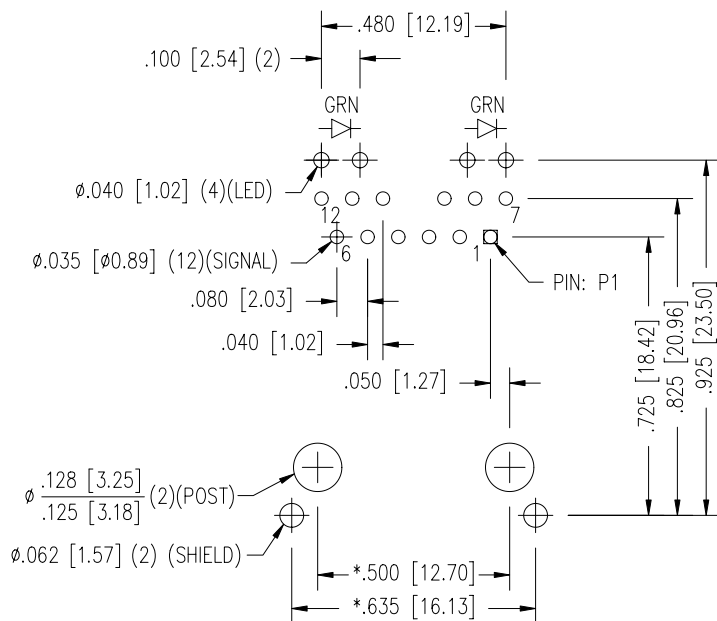
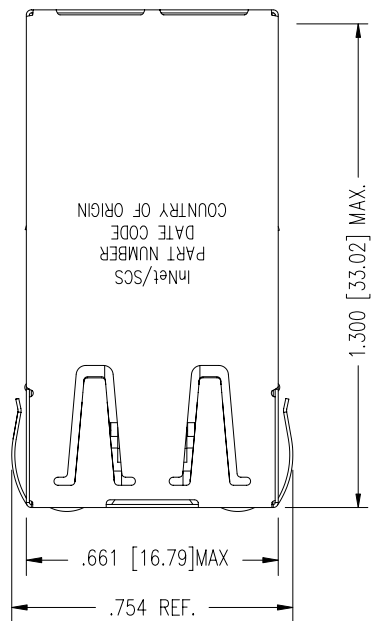
InNet Technologies, Inc.
<http://www.innet-tech.com>



Stewart Connector Systems
<http://www.stewartconnector.com>

SHEET
2 OF 4

DRAWING NO. SI-50080 REV. 07



P.C.B. RECOMMENDED HOLE LAYOUT
SEEN FROM COMPONENT SIDE
TOLERANCE $\pm .003$ [0.08] UNLESS OTHERWISE SPECIFIED

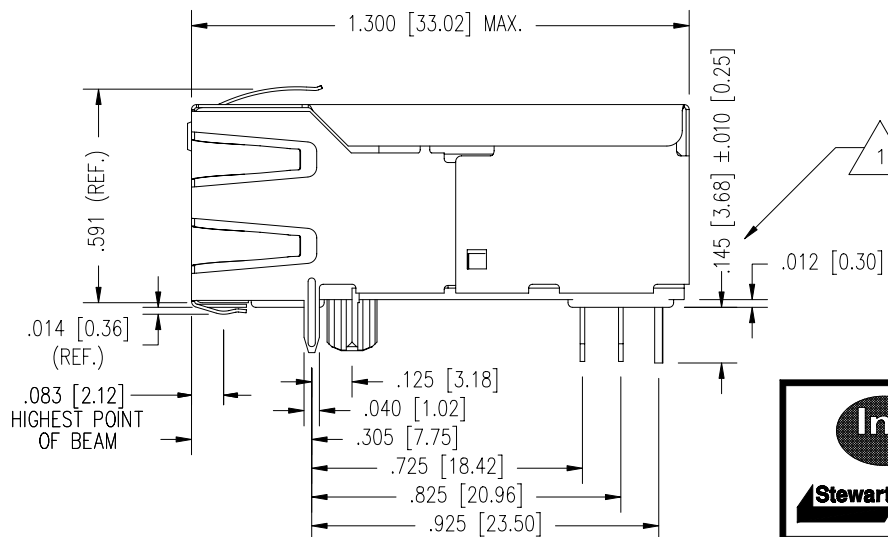
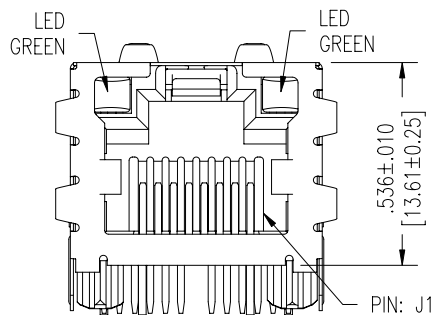
NOTES:

- TOLERANCES AND PART FEATURES COMPLY WITH F.C.C. REQUIREMENTS
- DIMENSIONS SHOWN ARE SUBJECT TO CHANGE WITHOUT NOTICE.
- PIN NOT ELECTRICALLY CONNECTED MAYBE OMITTED. SEE ELECTRICAL DRAWING FOR OMITTED PINS.
- REFLOW COMPATIBLE - 230°C/90SECS
- INSERT FORCE: 8.5 LBS MAX.
- MATERIALS: PLASTIC: UL94V-0 THERMOPLASTIC
TERMINAL: 50 MICRINCH Au OVER 50 MICRINCH Ni OVER PHOSBRONZE
SHIELD: BRASS PLATED Ni OR TIN LEAD

STANDARD LED	WAVELENGTH	* Forward V (MAX)	(TYP)
GREEN	565 nm	2.5 V	2.2 V

* WITH A FORWARD CURRENT OF 20 mA

1 NOTE: LENGTH OF SIGNAL AND LED LEADS.



InNet InNet Technologies, Inc.
<http://www.innet-tech.com>

Stewart Connector Stewart Connector Systems
<http://www.stewartconnector.com>

SHEET 3 OF 4	DRAWING NO. SI-50080	REV. 01
-----------------	-------------------------	------------

