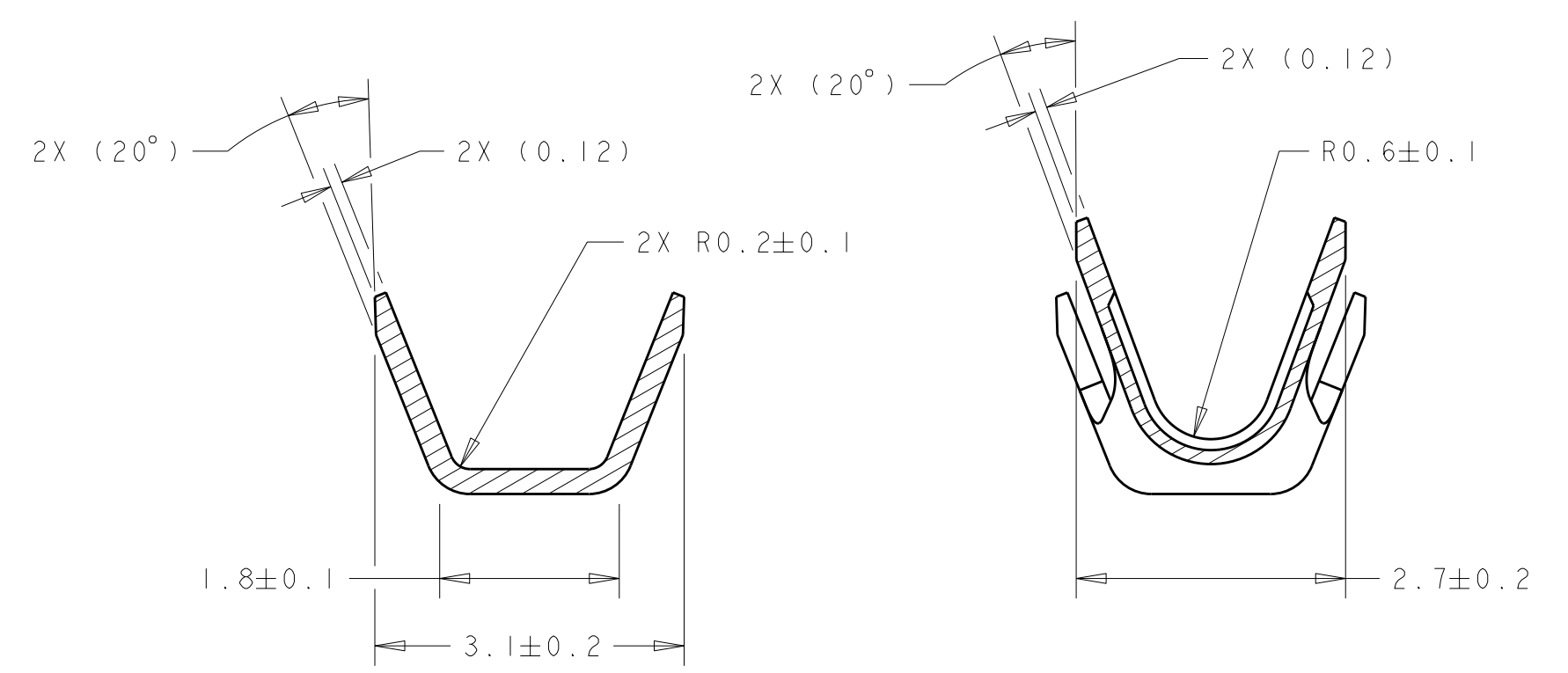


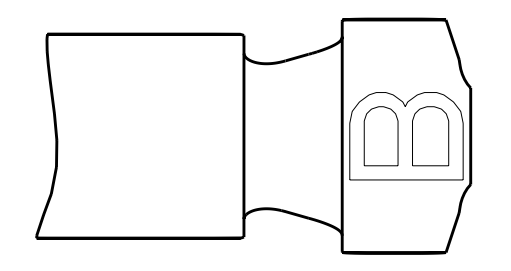
LOC	DIST	REV	DATE	BY	CHK	APPV
HK	00	F1	11MAR2011	RK	HMR	



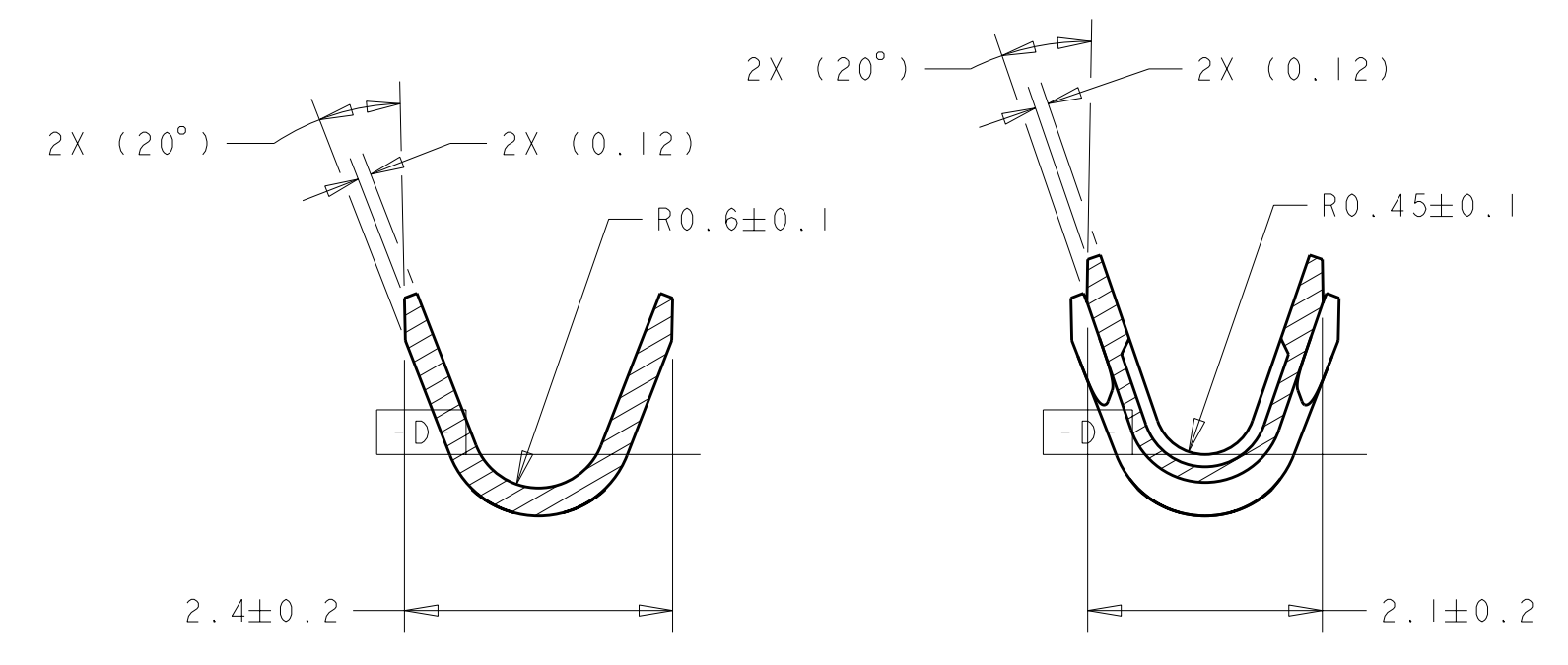
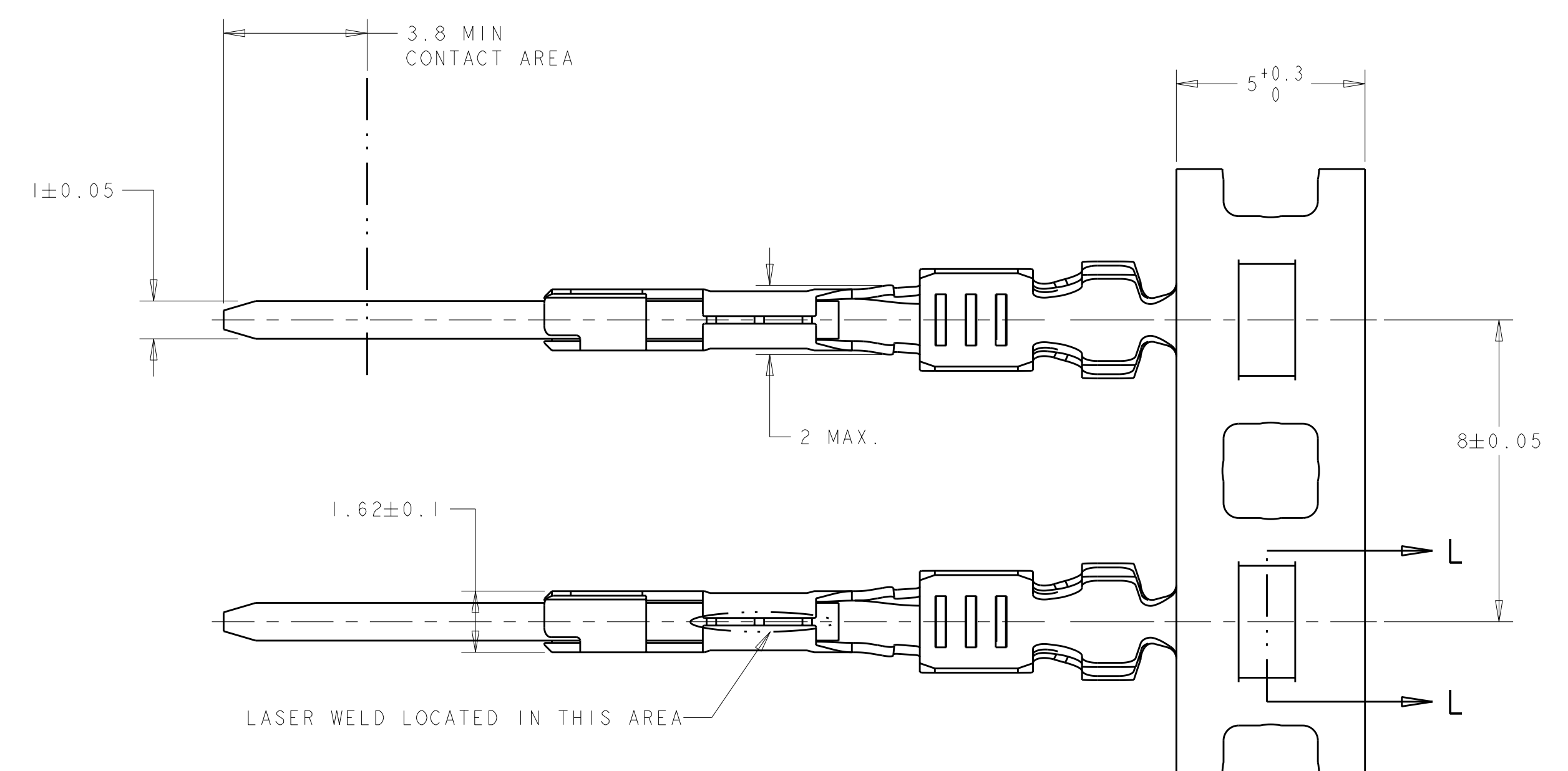
SECTION J-J

SECTION H-H

CRIMP B  
WIRE CRIMP AREAS



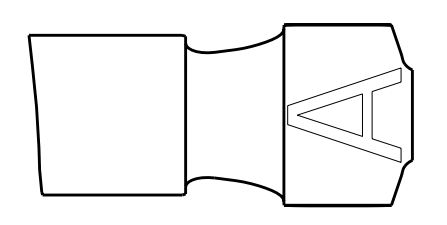
SECTION K-K



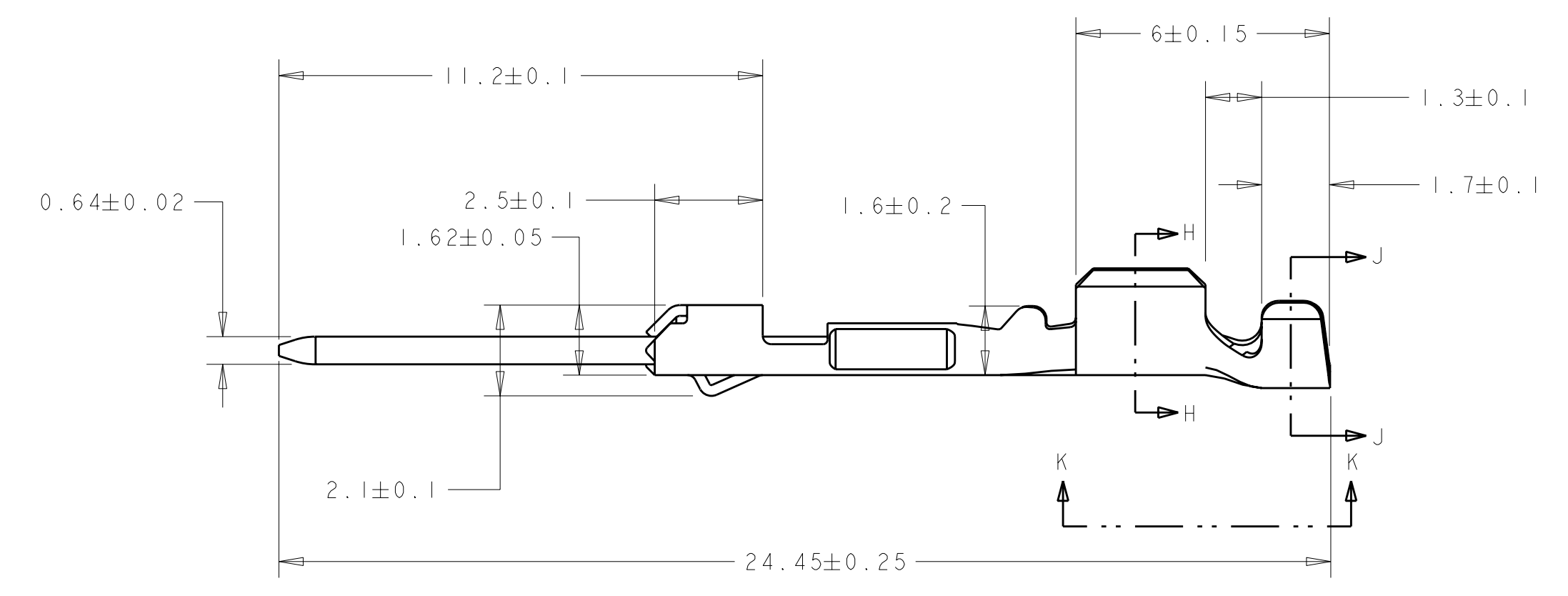
SECTION J-J

SECTION H-H

CRIMP A  
WIRE CRIMP AREAS



SECTION K-K

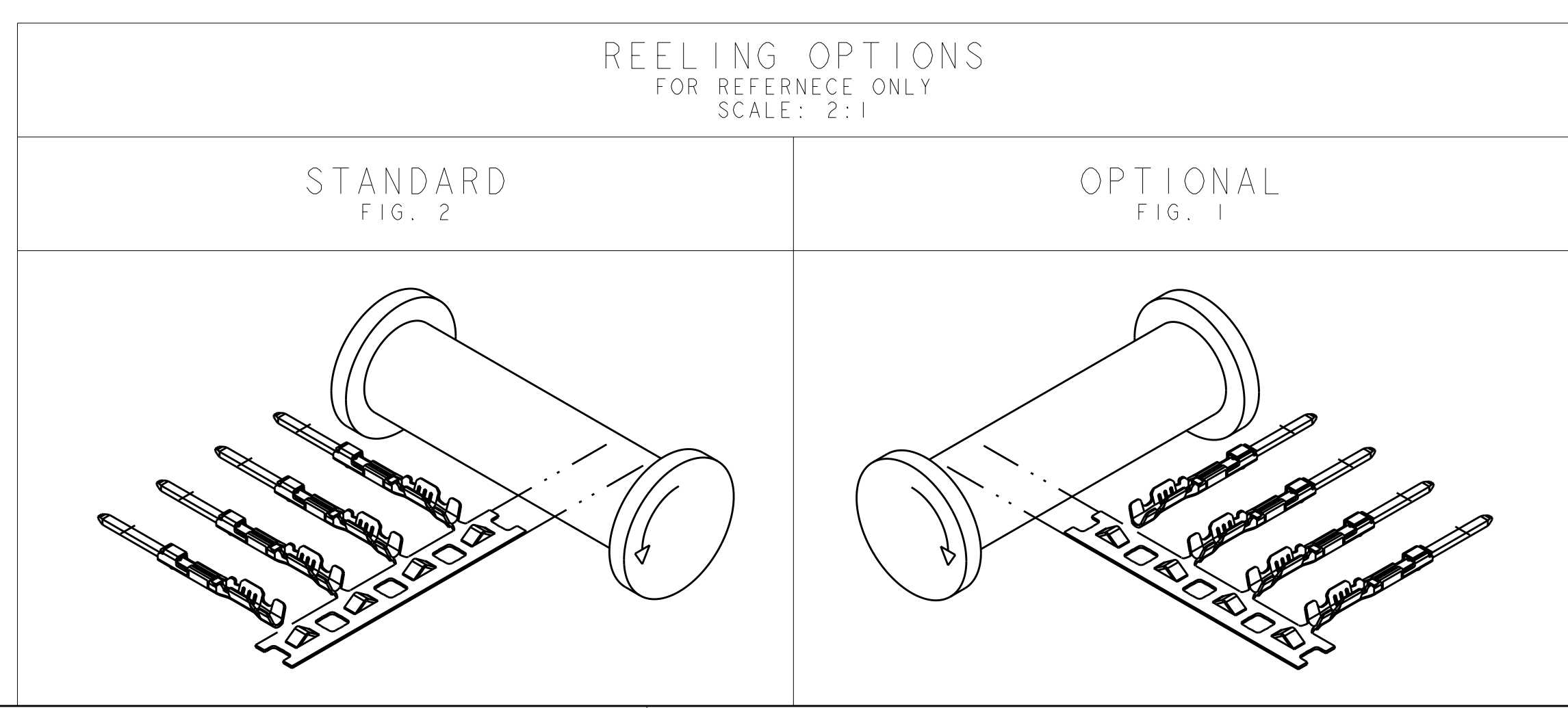


SECTION L-L  
TIN VERSIONS

SECTION L-L  
GOLD AND SILVER VERSIONS

- MATERIAL:  
CRIMP: COPPER ALLOY, MATERIAL THICKNESS = 0.25±0.01  
PIN: COPPER ALLOY, MATERIAL THICKNESS = 0.64±0.01  
MATERIAL WIDTH = 1.00±0.01
- MUST BE FREE OF CRACKS AND BURRS THAT AFFECT FUNCTION.
- WHEN A TIN/GOLD PLATED TERMINAL IS USED ON THE MALE SIDE THEN THE CORRESPONDING PLATING (TIN OR GOLD) MUST BE USED ON THE FEMALE TERMINAL.
- 0.2 MM MAX RADIUS PERMISSIBLE ON EDGES AND FILLETS SHOWN AS SHARP FOR STAMPING PARTS.
- GENERAL TOLERANCES:  
.X = ±0.3  
.XX = ±0.1  
ANGLES = ±3°
- CRIMP SPECIFICATION: 114-13060.
- PLATE: ≥ 0.8μm Au IN CONTACT AREA OVER NICKEL.
- PLATE 2-4μm SILVER IN CONTACT AREA OVER NICKEL.
- FOR SILVER PLATING: ELECTRICAL PERFORMANCE IS NOT AFFECTED BY GRAY, BROWN OR BLACK TARNISH ON THE SILVER PLATING SURFACES. ACCEPTABLE SILVER SURFACES CAN INCLUDE GRAY, BROWN OR BLACK TARNISH.

PART NO	WIRE CRIMP CODING	CONDUCTOR WIRE SIZE	REELING	PLATING SPEC.
1-1438299-1	B	0.50/0.75	FIG. 1	SILVER
1-1438299-0	A	0.22/0.35	FIG. 1	SILVER
1438299-8	B	0.50/0.75	FIG. 2	SILVER
1438299-7	A	0.22/0.35	FIG. 2	SILVER
1438299-4	B	0.50/0.75	FIG. 1	TIN
1438299-3	B	0.50/0.75	FIG. 1	GOLD
1438299-2	A	0.22/0.35	FIG. 1	TIN
1438299-1	A	0.22/0.35	FIG. 1	GOLD
2-1419158-5	B	0.50/0.75	FIG. 2	TIN
2-1419158-3	B	0.50/0.75	FIG. 2	GOLD
1-1419158-6	A	0.22/0.35	FIG. 2	TIN
3-1419158-1	A	0.22/0.35	FIG. 2	GOLD



THIS DRAWING IS A CONTROLLED DOCUMENT.		OWN: DL DRUMMOND 22JAN2004	TE Connectivity 0.64mm GET MALE IN-LINE TERMINAL
DIMENSIONS: mm		CHK: WT WELLINSKY 23JAN2004	
TOLERANCES UNLESS OTHERWISE SPECIFIED:		APVD: WT WELLINSKY 23JAN2004	NAME: WT WELLINSKY
9 PLC ±		PRODUCT SPEC	
3 PLC ±		APPLICATION SPEC	
5 PLC ±		SEE NOTES	
4 PLC ±		WEIGHT	
MATERIAL		CUSTOMER DRAWING	
FINISH		SCALE: 8:1	
SIZE: A100779		SHEET 1 OF 1	
CAGE CODE: C-3-1419158-1		REV: F1	