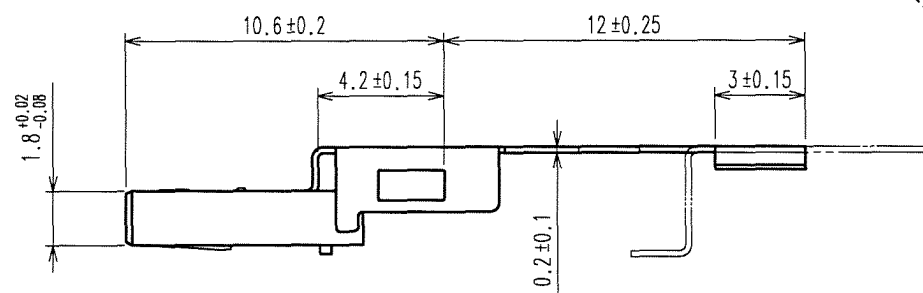
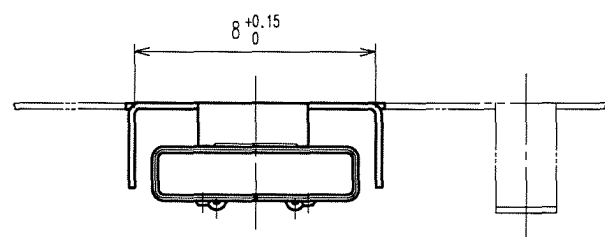
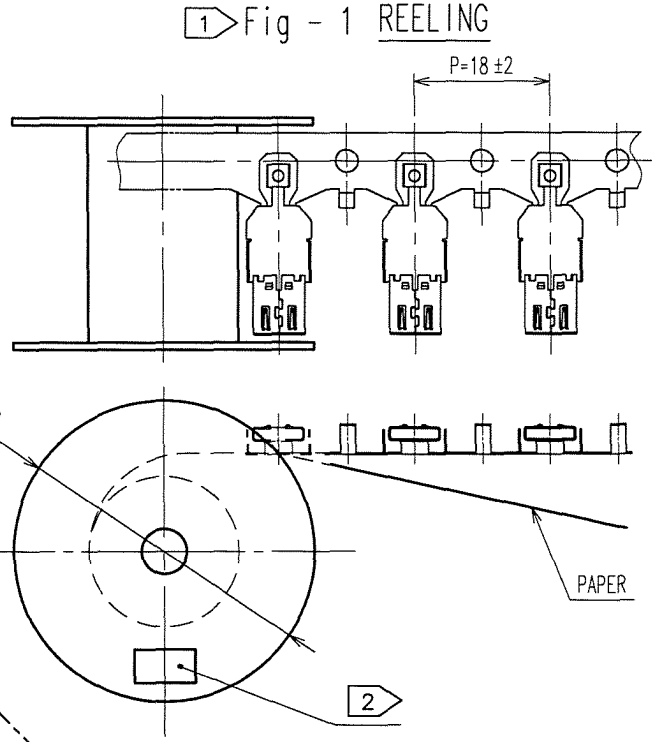
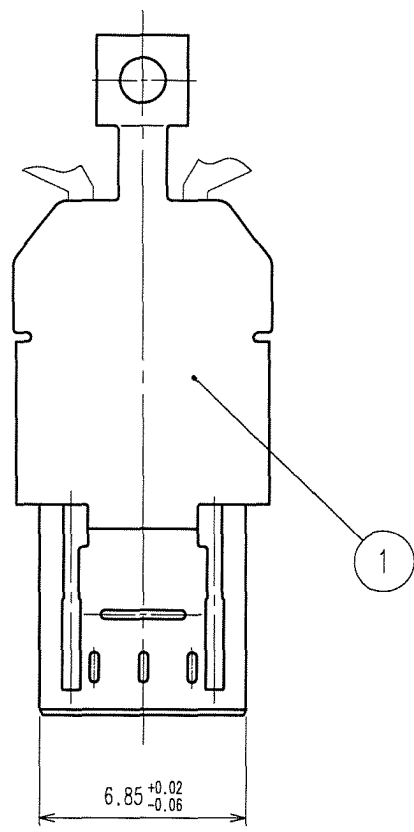


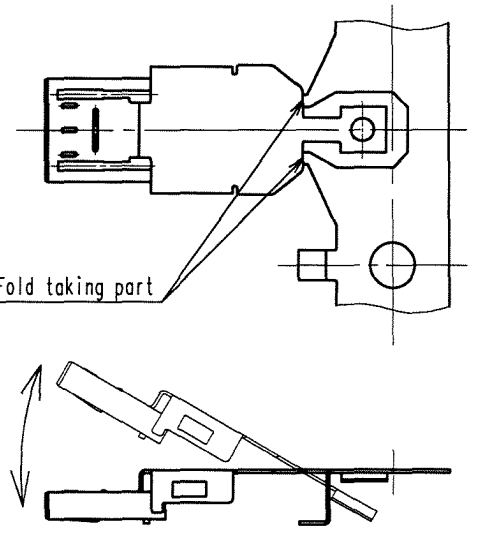
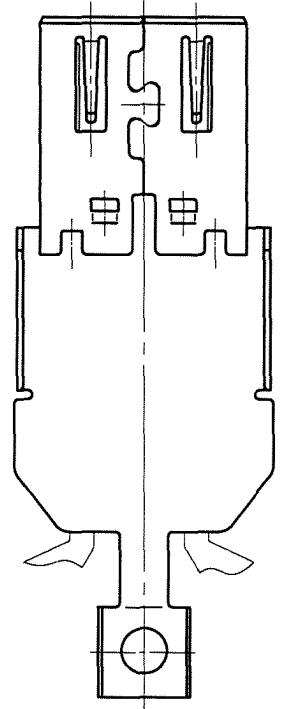
1 2 3 4 5 6 7 8

A
B
C
D
E
F

COUNT	DESCRIPTION OF REVISIONS	BY	CHKD	DATE	COUNT	DESCRIPTION OF REVISIONS	BY	CHKD	DATE
△				..	△				..
△				..	△				..
△				..	△				..



3 Fig - 2 CUT OF A CAREER



- NOTES
- 1 This is delivered by a reel. QTY:4000pcs
 - 2 Shown on a reel and a box is ; "Part No." , "Code No." , "Lot No." , "QTY"
 - 3 Cut off a career as shown in Fig-2.

TO

1	STAINLESS STEEL	Nickel 0.1 μ m MIN.
NO.	MATERIAL	FINISH, REMARKS

CODE NO. (OLD)	DRAWN	DESIGNED	CHECKED	APPROVED	RELEASED
	<i>H. Ando</i>	<i>H. Ando</i>	<i>R. Hayama</i>	<i>Shigehiko</i>	
	07.09.03	07.09.03	07.09.03	07.07.03	..
SCALE	DRAWING NO.		PART NO.		
4 : 1	EDC3-126049		ZX40-A-SLDA		
UNITS	HRS HIROSE ELECTRIC CO., LTD		CODE NO.		1/1
mm			CL242-0011-5		

1 2 3 4 5 6 7 8 FORM NO. 229

Q2