

THE INFORMATION CONTAINED HEREIN IS CONSIDERED 'PROPRIETARY' TO BEL FUSE INC. AND SHALL NOT BE COPIED, REPRODUCED OR DISCLOSED WITHOUT THE WRITTEN APPROVAL OF BEL FUSE INC.

LED1 POLARITY			LED2 POLARITY		
PIN 13	PIN 14	COLOR	PIN 15	PIN 16	COLOR
-	+	YELLOW	-	+	GREEN
			+	-	ORANGE

RoHS



ELECTRICAL CHARACTERISTICS @ 25°C

URNS RATIO

TP1	1CT : 1CT ±2%
TP2	1CT : 1CT ±2%
TP3	1CT : 1CT ±2%
TP4	1CT : 1CT ±2%

DCL @ 100kHz/100mVRMS

8mA DC BIAS	350µH MIN.
-------------	------------

INS. LOSS

0.1MHz TO 1MHz	-1.1 dB MAX
1MHz TO 65MHz	-0.5 dB MAX
65MHz TO 100MHz	-0.8 dB MAX
100MHz TO 125MHz	-1.2 dB MAX

RET. LOSS (MIN)

0.5MHz-40MHz	-18 dB
40MHz-100MHz	-12+20LOG(f/80MHz) dB

CM TO CM REJ

100kHz - 100MHz	-30 dB MIN
-----------------	------------

CM TO DM REJ

100kHz - 100MHz	-35 dB MIN
-----------------	------------

HIPOT (Isolation Voltage): 1500 Vrms or 2250VDC

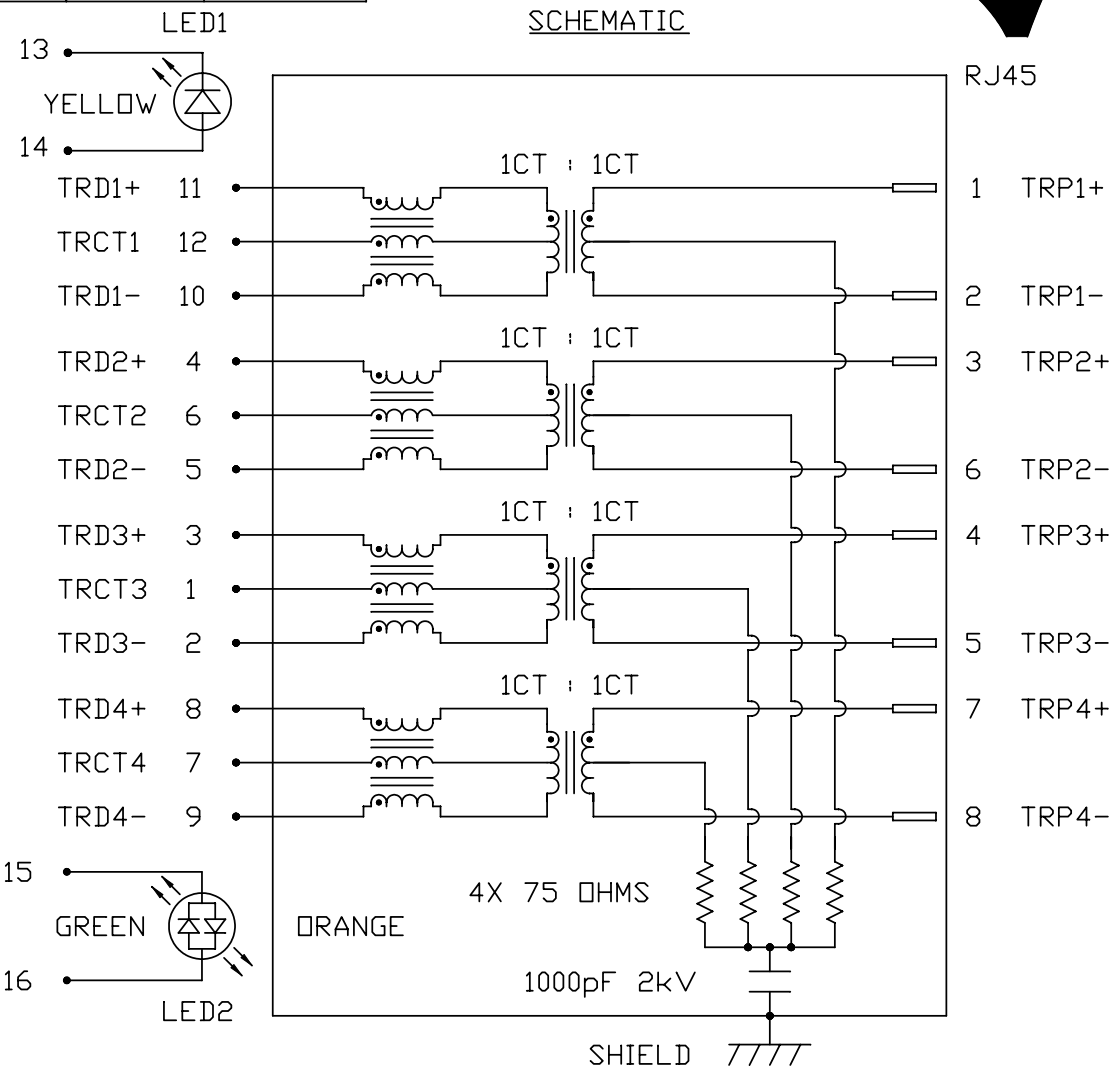
100% OF PRODUCTION TESTED TO COMPLY WITH IEEE 802.3 ISOLATION REQUIREMENTS.

LED 1

VF (FORWARD VOLTAGE)	IF=20mA	YELLOW	2.1V TYP.
λD (DOMINANT WAVELENGTH)	IF=20mA	YELLOW	590nm TYP.

LED 2

VF (FORWARD VOLTAGE)	IF=20mA	GREEN	2.2V TYP.
		ORANGE	2.0V TYP.
λD (DOMINANT WAVELENGTH)	IF=20mA	GREEN	565nm TYP.
		ORANGE	610nm TYP.



ORIGINATED BY	DATE	TITLE
CHOW WANCHUNG	2012-08-10	1X4 gigabit MagJack® (8 cores, Tab Up)
DRAWN BY	DATE	
TAN QIGUANG	2012-08-10	0826-1X4T-43-F PATENTED

PART NO. / DRAWING NO.	STANDARD DIM.	[ ] METRIC DIM. AS REFERENCE
08261X4T43-F	TOL. IN INCH	UNIT : INCH [mm] REV. : C
FILE NAME	.X	SCALE : N/A SIZE : A4
08261X4T43-F_C.DWG	.XX	⊕
	.XXX	PAGE : 2

STANDARD DIM.	[ ] METRIC DIM. AS REFERENCE
TOL. IN INCH	UNIT : INCH [mm] REV. : C
.X	SCALE : N/A SIZE : A4
.XX	⊕
.XXX	PAGE : 2

UNIT : INCH [mm]	REV. : C
SCALE : N/A	SIZE : A4
⊕	PAGE : 2



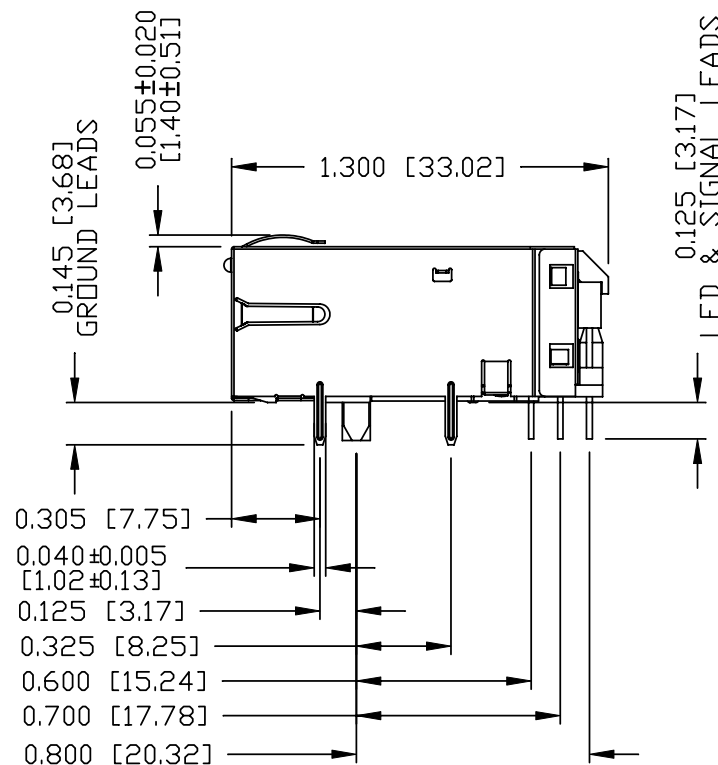
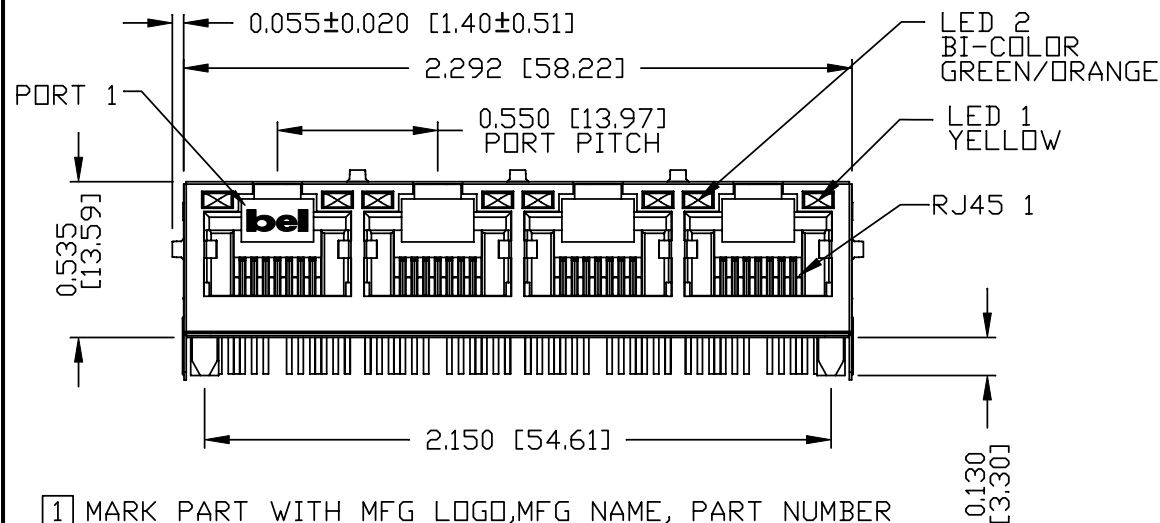
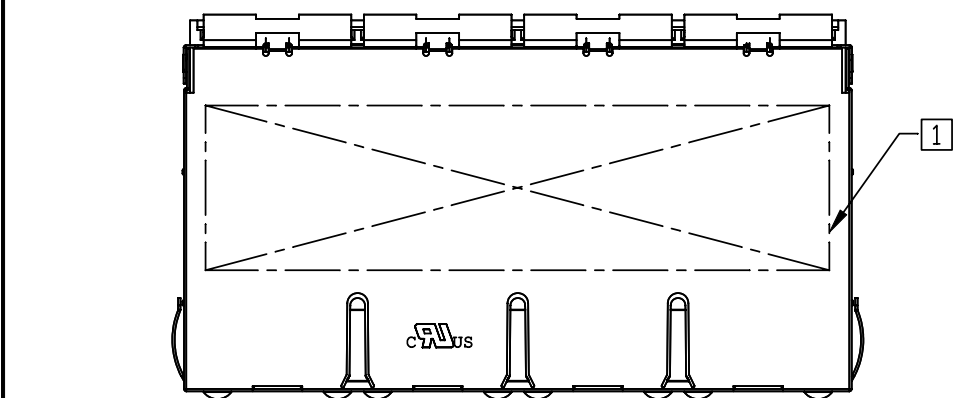
THE INFORMATION CONTAINED HEREIN IS CONSIDERED "PROPRIETARY" TO BEL FUSE INC. AND SHALL NOT BE COPIED, REPRODUCED OR DISCLOSED WITHOUT THE WRITTEN APPROVAL OF BEL FUSE INC.

RoHS



NOTES:

- PLASTIC HOUSING: THERMOPLASTIC PBT  
FLAMMABILITY RATING UL 94V-0
- CONTACTS PLATING: 50 MICRO-INCH HARD GOLD PLATING  
OR EQUIVALENT.
- PINS: TIN-COATED COPPER WIRE, DIA 0.018 INCH.
- METAL SHIELD: NICKEL PLATED ON COPPER ALLOY.  
(ALL GROUND LEADS ARE SOLDER DIPPED)
- JACK CAVITY CONFORMS TO FCC RULES AND REGULATIONS.

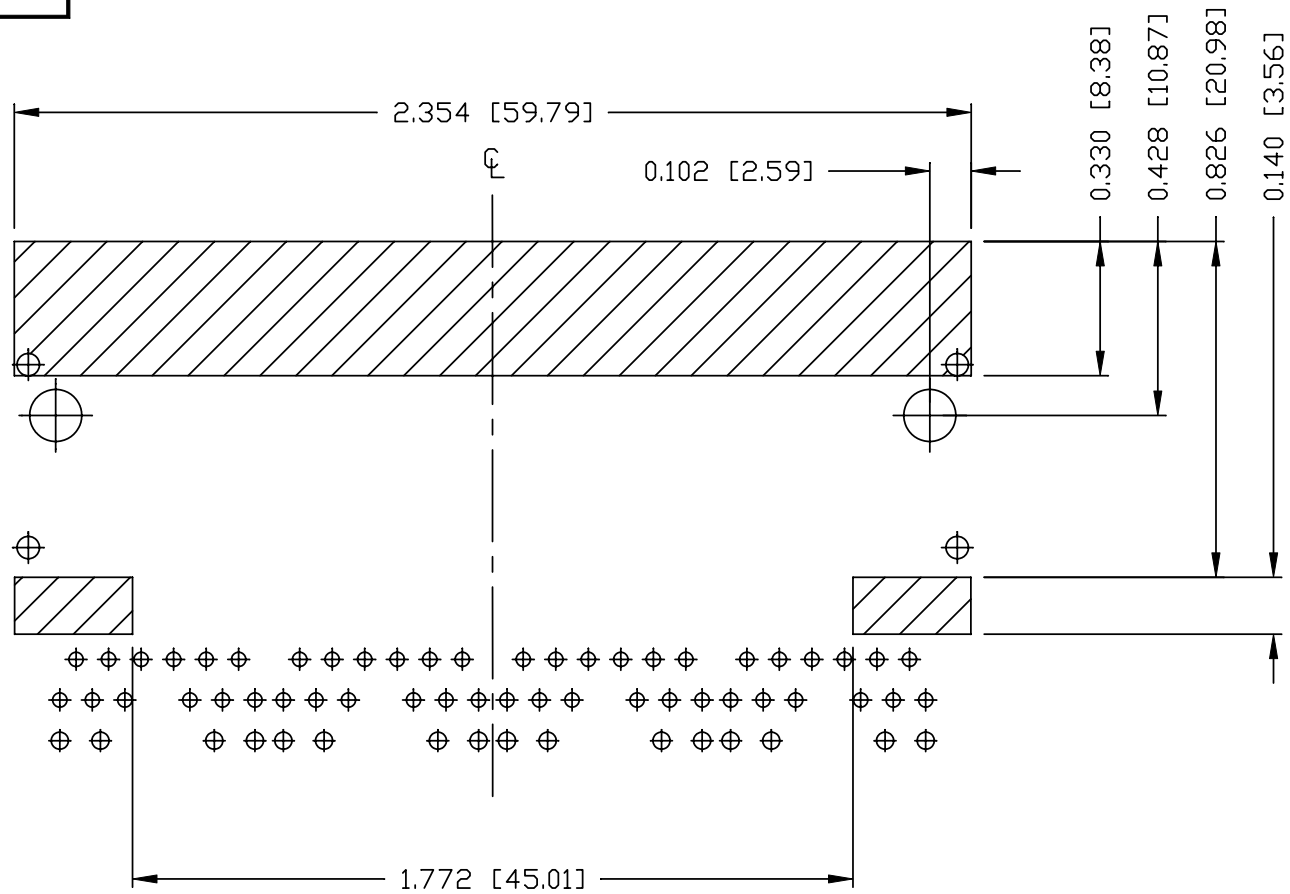


1. MARK PART WITH MFG LOGO, MFG NAME, PART NUMBER DATE CODE AND PATENTED.
  2. THE PRODUCT IS RoHS COMPLIANT.
  3. THE PRODUCT IS PATENTED. THE PATENT NUMBER ARE U.S. PAT. 5,736,910 AND U.S. PAT. 7,123,117.
- bel** USUL RECOGNIZED - FILE #E196366 AND E169987.

ORIGINATED BY ANTON LIAO	DATE 2012-08-10	TITLE 1X4 gigabit MagJack® (8 cores, Tab Up)	PART NO. / DRAWING NO. 08261X4T43-F	STANDARD DIM. TOL. IN INCH	[ ] METRIC DIM. AS REFERENCE	<p>COMPONENTS FOR A CONNECTED PLANET</p>	
DRAWN BY HE ZHEN	DATE 2012-08-10	TITLE 0826-1X4T-43-F PATENTED	FILE NAME 08261X4T43-F_C.DWG	.X	UNIT : INCH [mm]		REV. : C
				.XX	SCALE : N/A		SIZE : A4
				.XXX	±0.010		PAGE : 3

THE INFORMATION CONTAINED HEREIN IS CONSIDERED "PROPRIETARY" TO BEL FUSE INC. AND SHALL NOT BE COPIED, REPRODUCED OR DISCLOSED WITHOUT THE WRITTEN APPROVAL OF BEL FUSE INC.

RoHS



NOTES:

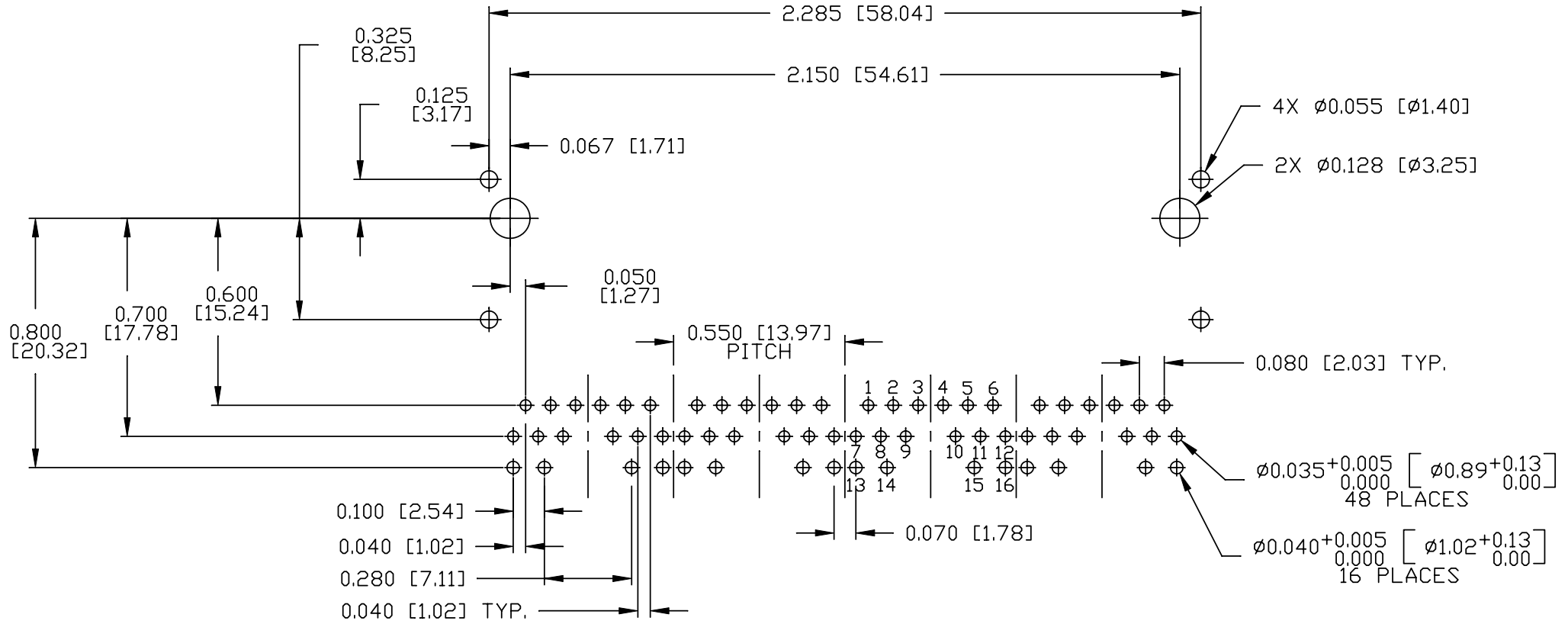
THE SHADED AREA ON THE CUSTOMER BOARD ARE RECOMMENDED TO BE CLEAR OFF ANY VIA HOLE OR COMPONENT PAD.

ORIGINATED BY ANTON LIAO	DATE 2012-08-10	TITLE 1X4 gigabit MagJack® (8 cores,Tab Up) 0826-1X4T-43-F PATENTED	PART NO. / DRAWING NO. 08261X4T43-F	STANDARD DIM. TOL. IN INCH	[ ] METRIC DIM. AS REFERENCE	
	DRAWN BY HE ZHEN		DATE 2012-08-10	FILE NAME 08261X4T43-F_C.DWG	.X .XX .XXX	UNIT : INCH [mm] SCALE : N/A



THE INFORMATION CONTAINED HEREIN IS CONSIDERED "PROPRIETARY" TO BEL FUSE INC. AND SHALL NOT BE COPIED, REPRODUCED OR DISCLOSED WITHOUT THE WRITTEN APPROVAL OF BEL FUSE INC.

RoHS



RECOMMENDED PCB FOOTPRINT  
COMPONENT SIDE VIEW

ORIGINATED BY ANTON LIAD	DATE 2012-08-10
DRAWN BY HE ZHEN	DATE 2012-08-10

TITLE  
1X4 glgabit MagJack®  
(8 cores, Tab Up)  
0826-1X4T-43-F  
PATENTED

PART NO. / DRAWING NO.  
08261X4T43-F

FILE NAME  
08261X4T43-F\_C.DWG

STANDARD DIM. TOL. IN INCH	
.X	
.XX	
.XXX	±0.004

[ ] METRIC DIM. AS REFERENCE	
UNIT : INCH [mm]	REV. : C
SCALE : N/A	SIZE : A4
	PAGE : 5

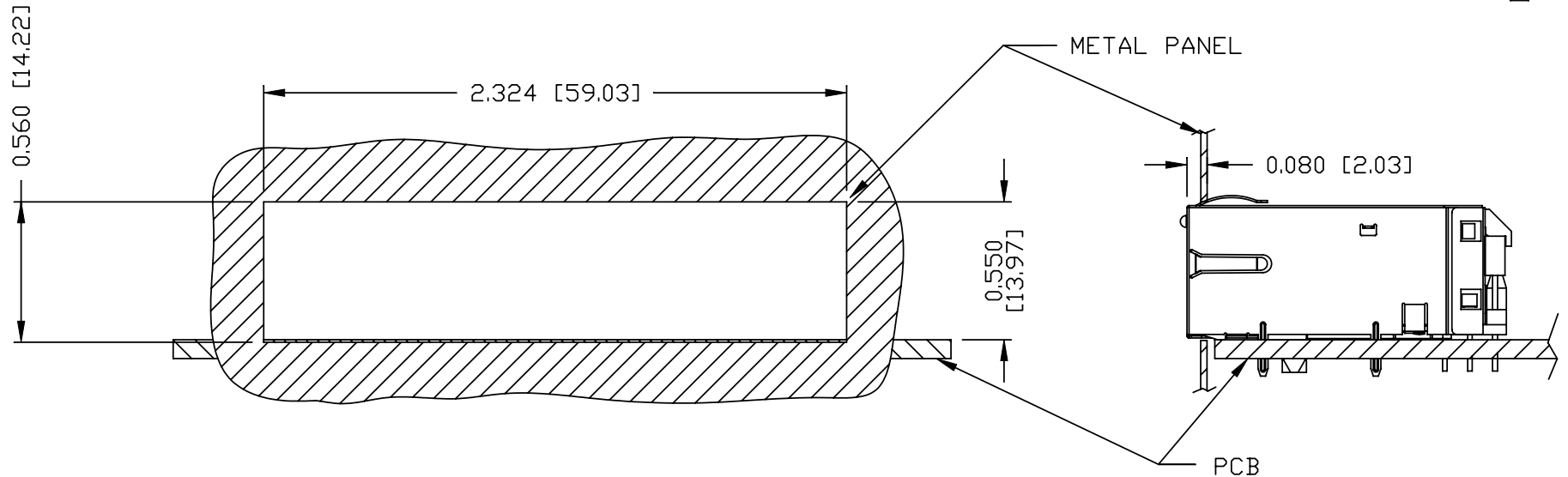


THE INFORMATION CONTAINED HEREIN IS CONSIDERED "PROPRIETARY" TO BEL FUSE INC. AND SHALL NOT BE COPIED, REPRODUCED OR DISCLOSED WITHOUT THE WRITTEN APPROVAL OF BEL FUSE INC.

RoHS



SUGGESTED PANEL OPENING



NOTES:

THE DISTANCE OF PANEL INSIDE SURFACE RELATIVE TO FRONT SURFACE OF PART IS ONLY A SUGGESTION. IN CASE THIS DISTANCE IS DIFFERENT, THE REQUIRED PANEL OPENING DIMENSIONS CHANGE ACCORDINGLY.

PACKING INFORMATION

PACKING TRAY : 0200-9999-B4 (TOP)

0200-9999-B5 (BOTTOM)

PACKING QUANTITY : 24 PCS FINISHED GOODS PER TRAY

10 TRAYS (240 PCS FINISHED GOODS) PER CARTON BOX

NOTE : CARDBOARDS ARE PLACED BETWEEN LAYERS OF PACKING TRAY INSIDE CARTON BOX  
(INCLUDE THE UPPERMOST AND LOWERMOST TRAY)

ORIGINATED BY ANTON LIAO	DATE 2012-08-10	TITLE 1X4 gigabit MagJack® (8 cores, Tab Up)	PART NO. / DRAWING NO. 08261X4T43-F	STANDARD DIM.		[ ] METRIC DIM. AS REFERENCE		 COMPONENTS FOR A CONNECTED PLANET
				TOL. IN INCH		UNIT : INCH [mm]	REV. : C	
DRAWN BY HE ZHEN	DATE 2012-08-10	0826-1X4T-43-F PATENTED	FILE NAME 08261X4T43-F_C.DWG	.X	∅0.004	SCALE : N/A	SIZE : A4	
				.XX			PAGE : 6	
				.XXX				