

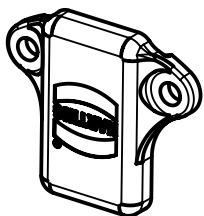
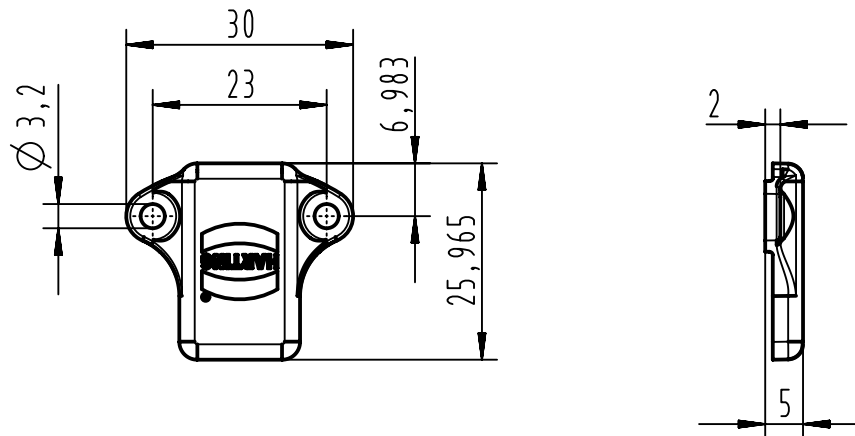
1 2 3 4 5 6


A

B

C

D



	All rights reserved Department EL PD - DE	All Dimensions in mm Original Size DIN A4		Scale 1:1	Free size tol.		Ref.		
		HARTING Electric GmbH & Co. KG D-32339 Espelkamp		Created by ILJIN	Inspected by LOETKEMANN	Standardisation TIEMANNA	Date 2012-10-10	State Final Release	
			Title RFID Transponder SL89				Doc-Key / ECM-Nr. 100516271/UGD/001/A		
			Type TB	Number 20 92 641 0602			Rev. A	Page 1/1	