

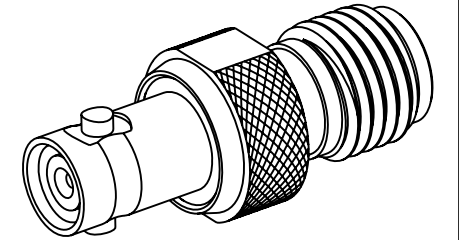
NOTES:

1. MATERIALS AND FINISHES:
 BODIES - BRASS, NICKEL PLATING
 CONTACT - BeCu, GOLD PLATING
 INSULATOR - PTFE
2. ELECTRICAL:
 A. IMPEDANCE: 50 OHM
 B. FREQUENCY RANGE: DC - 6 GHz
 C. VSWR: 1.10 MAX @ 6 GHz
3. MECHANICAL:
 A. DURABILITY: 500 CYCLES MIN.
 B. TEMPERATURE RANGE: -65° C TO +165° C
4. PACKAGING:
 A. QUANTITY: SINGLE PACK
 B. MARKING: BAG TO BE MARKED
 "AMPHENOL RF, APH-HDBNCJ-SMAJ, AND DATE CODE"

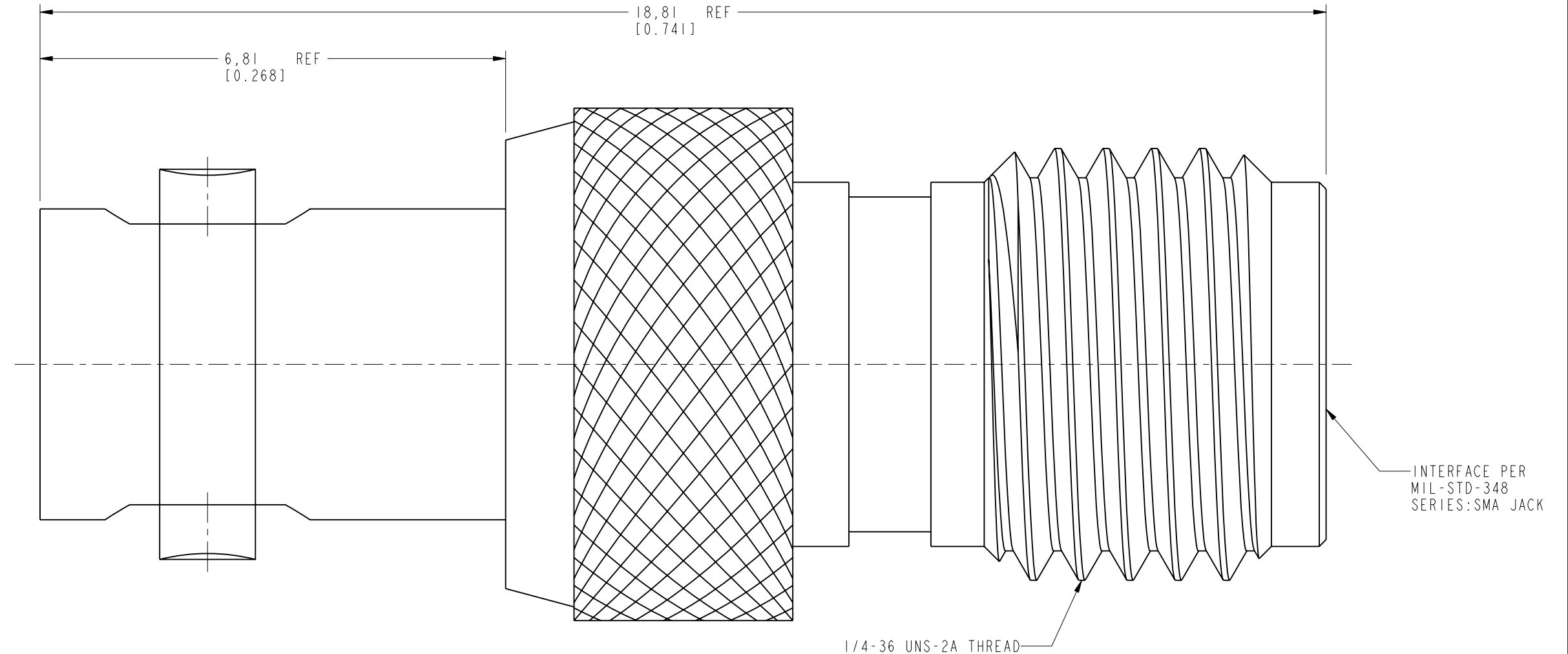
THIRD ANGLE PROJ.

REVISIONS

| REV | DESCRIPTION | DATE | ECO | APPR |
|-----|-----------------|-----------|-------|------|
| A | RELEASE TO MFG. | 05-Apr-13 | 49282 | MG |



SCALE 3.000



CUSTOMER OUTLINE DRAWING

ALL OTHER SHEETS ARE FOR INTERNAL USE ONLY

UNLESS OTHERWISE SPECIFIED, DIMENSIONS ARE IN METRIC AND TOLERANCES ARE:
 <0.5mm ±0.05mm 0.5 - 6mm ±0.1mm 6 - 30mm ±0.2mm 30 - 120mm ±0.3mm ANGLES ±1°

NOTICE - These drawings, specifications, or other data (1) are, and remain the property of Amphenol corp. (2) must be returned upon request; and (3) are confidential and not to be disclosed to any person other than those to whom they are given by Amphenol Corp. the furnishing of these drawings, specifications, or other data by Amphenol Corp., or to any other person to anyone for any purpose is not to be regarded by implication or otherwise in any manner licensing, granting rights to permitting such holder or any other sperson to manufacture, use or sell any product, process or design, patented or otherwise, that may in any way be related to or disclosed by said drawings, specifications, or other data.

| | | | | | | |
|------------------------------------------------------------------------|-----------------------|-------------------|----------------------------------------------------|----------|-----------------------------------|-----------------------------|
| MATERIAL SEE NOTES | DRAWN S.LI | DATE 05-Apr-13 | TITLE 50 OHM HD BNC JACK TO SMA JACK ADAPTER | | Amphenol RF www.amphenolrf.com | |
| REFERENCE EAR # 4800 | ENGINEER KARTHIK R | DATE 15-Jun-11 | | | | |
| CONFIGURATION LEVEL: <input type="checkbox"/> <input type="checkbox"/> | APPROVED H.HE | DATE 10-Apr-13 | SCALE: 14.0:1.0 | SHEET | 2 OF 2 | DRAWING NO. APH-HDBNCJ-SMAJ |
| FINISH | CAD FILE | | DWG SIZE B | REV A | | ITEM NO. APH-HDBNCJ-SMAJ |
| | | | | | | PART NO. APH-HDBNCJ-SMAJ |