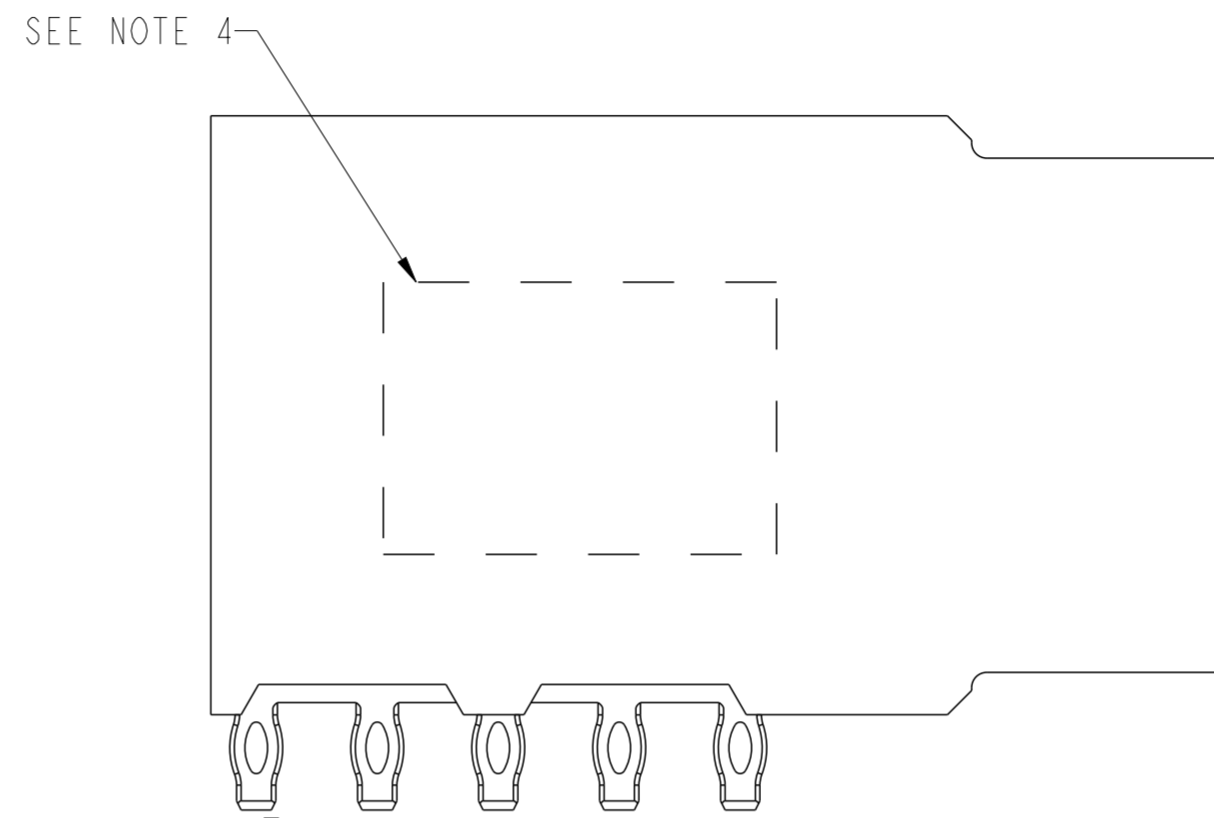
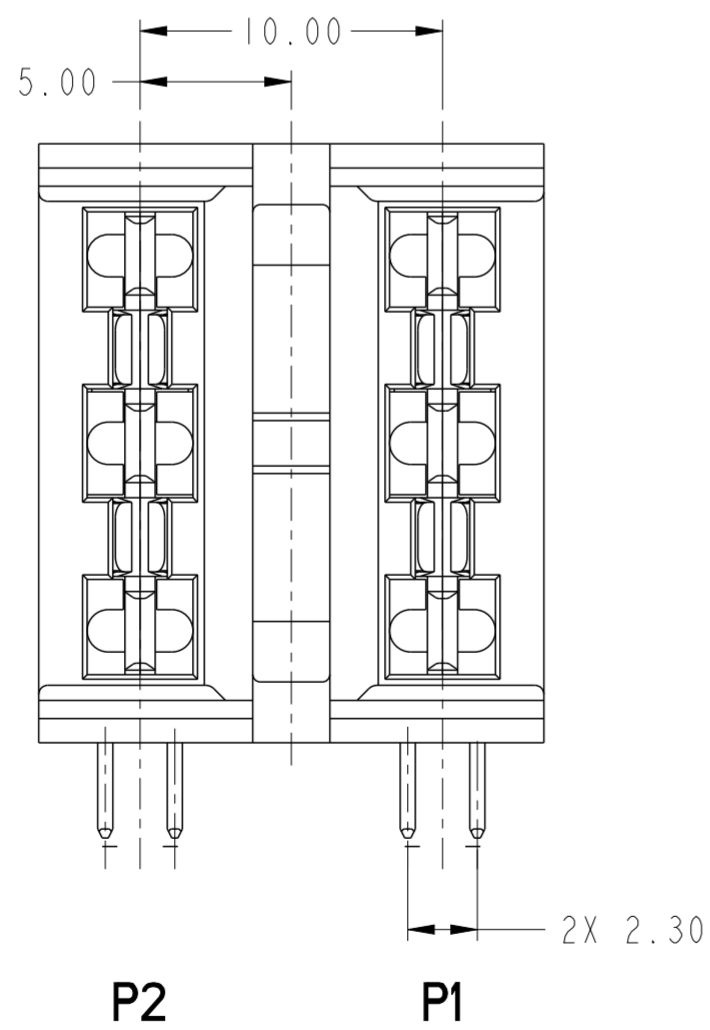
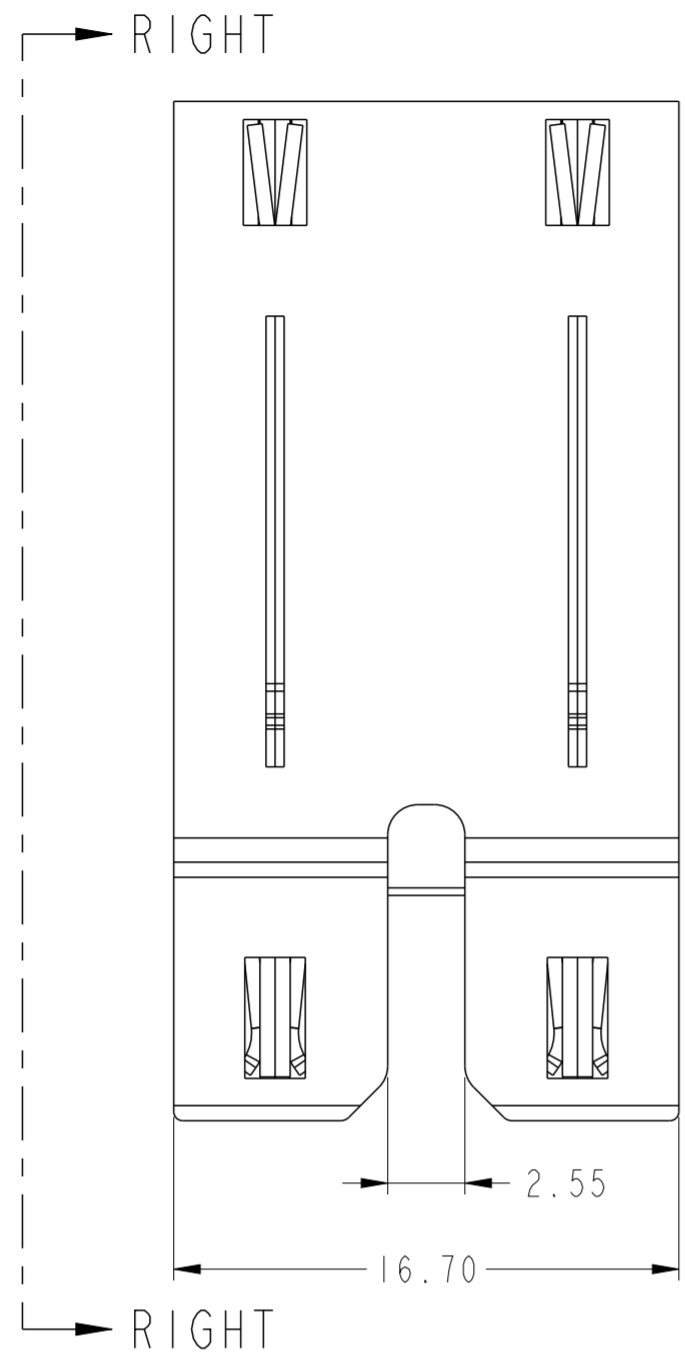
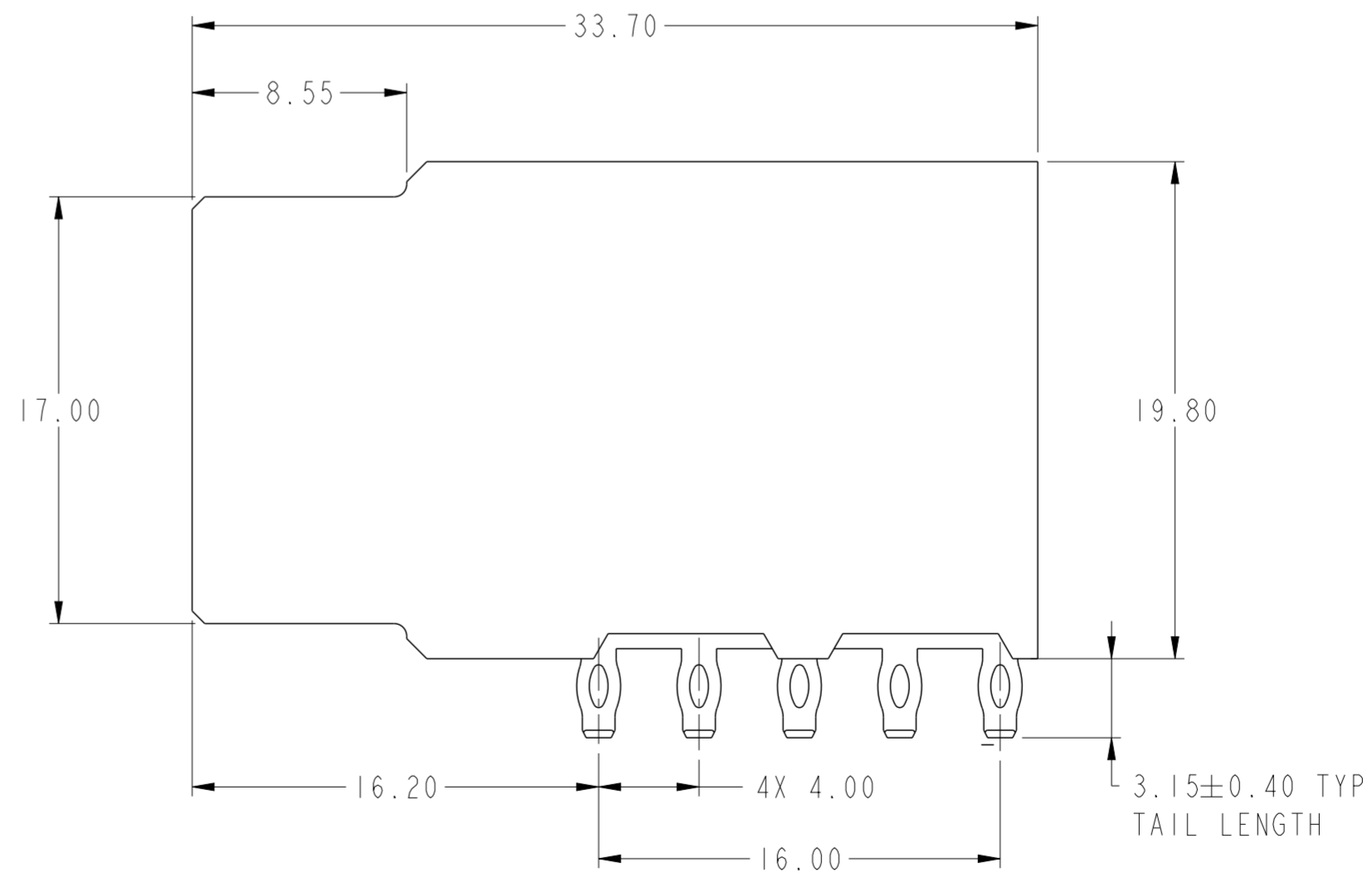


PART NO	DESCRIPTION
10132644-001LF	BUSBAR RA RECEPTACLE PRESS FIT OPTION

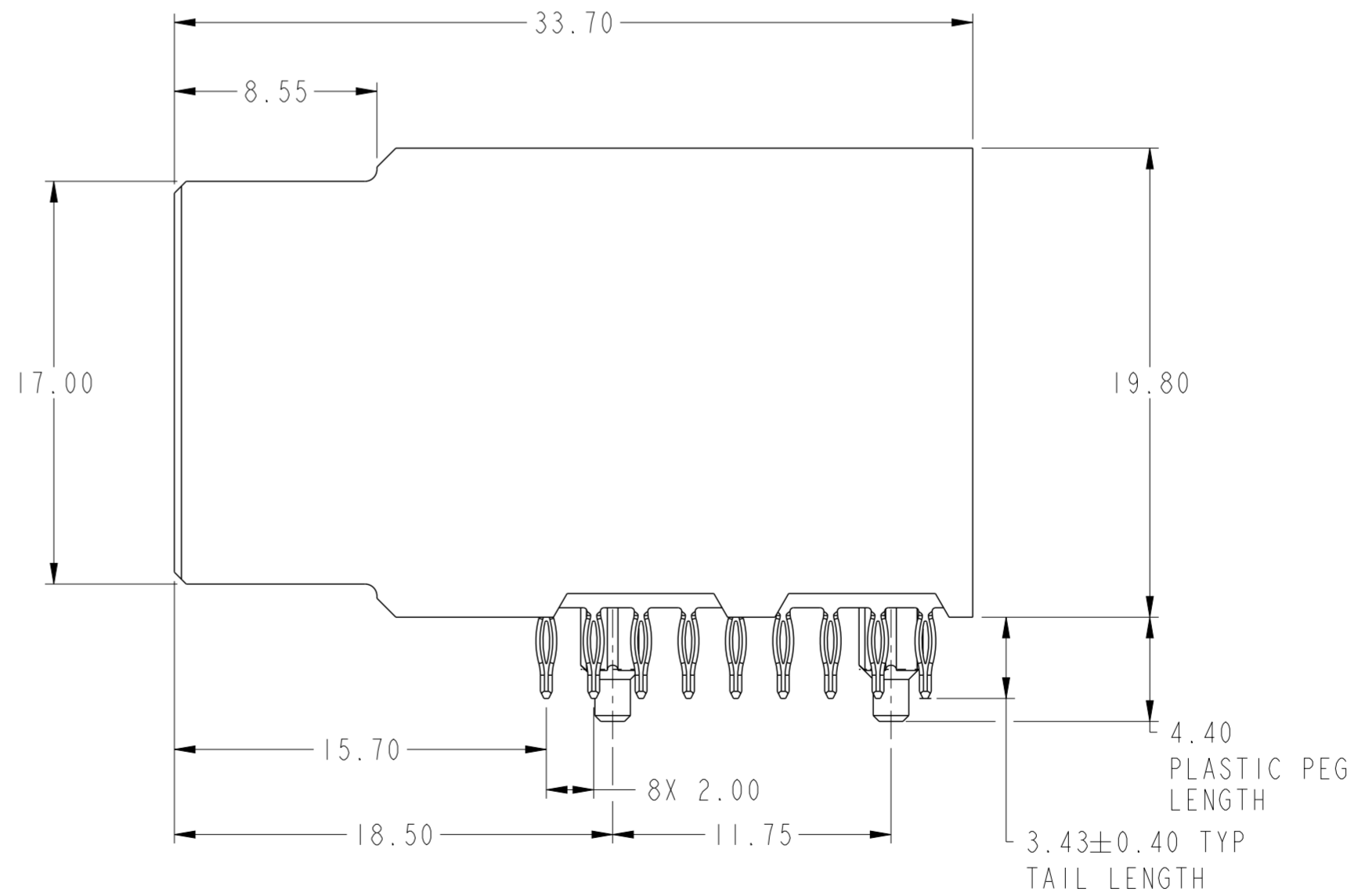
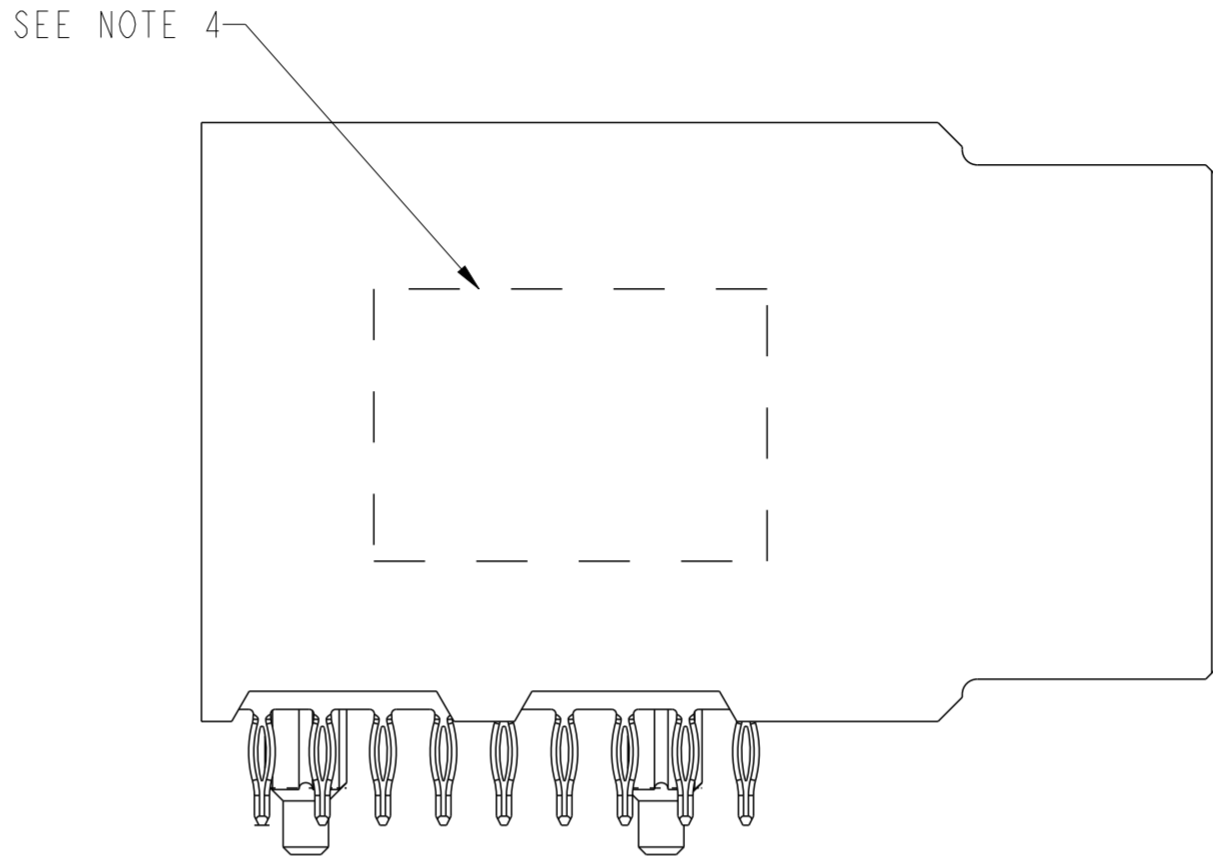
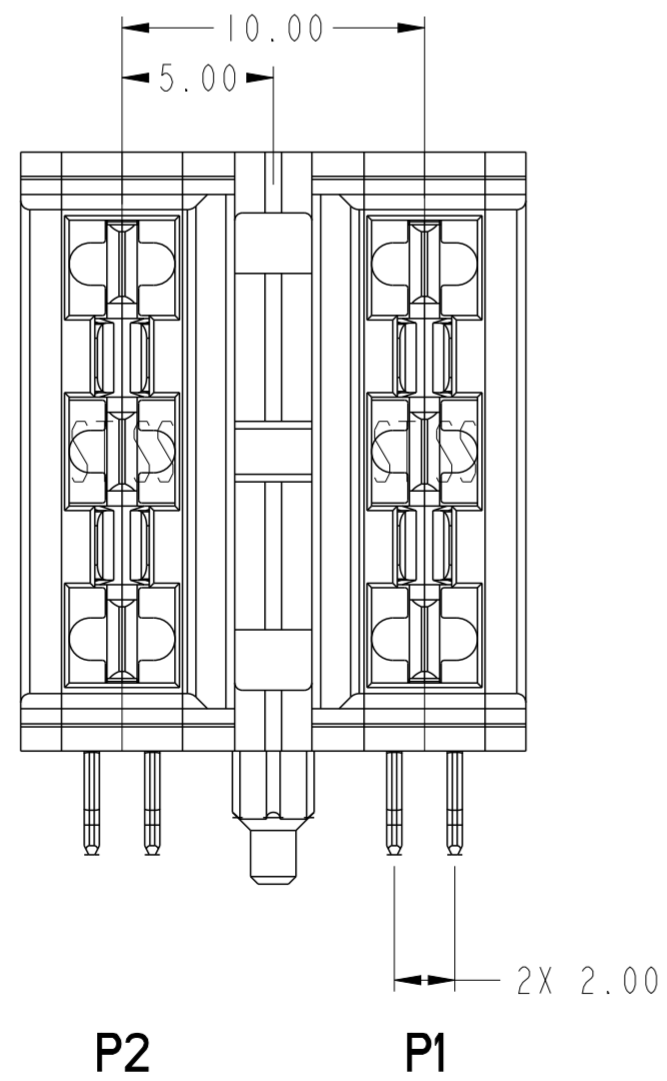
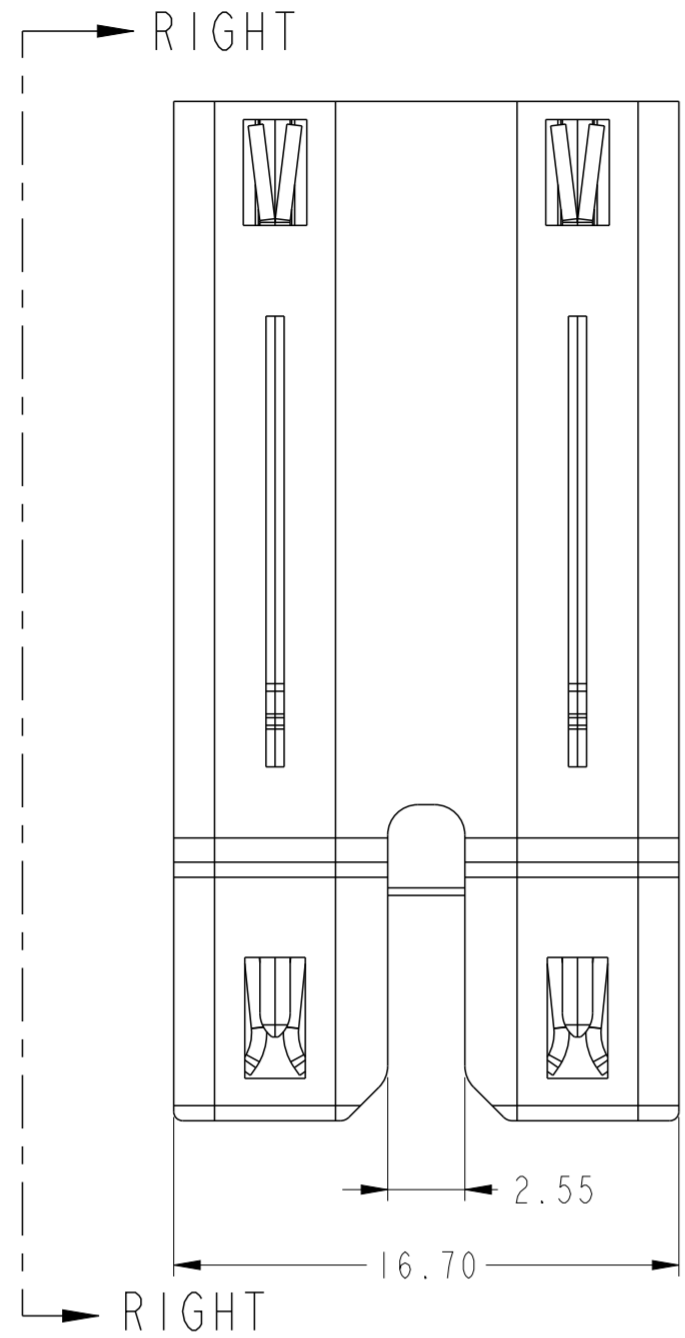


RIGHT-RIGHT
SCALE 4:1



spec ref	-	dr	Chris Gieski	2015/01/21	projection	mm	size	A2	scale	4:1			
tolerance std	ISO 406 ISO 1101	eng	Vicking Liu	2018/01/23			ecn no	-	Amphenol FCI	RA ORTHO RECEPTACLE ASSEMBLY 2DC			
surface	TOLERANCES UNLESS OTHERWISE SPECIFIED linear 0.X ±0.5 0.XX ±0.25 0.XXX ±0.10 angular 0° ±2°	chr	Feng Zheng	2018/01/23			product family	PWRMAX ORTHO CONNECTOR SYSTEM		rel level	Released	rev	A
		appr	Pai-Ming Zheng	2018/01/23			cat. no.	10132644		Product - Customer Drw	sheet 1 of 6		

PART NO	DESCRIPTION
10132644-002LF	PCB RA RECEPTACLE PRESS FIT OPTION

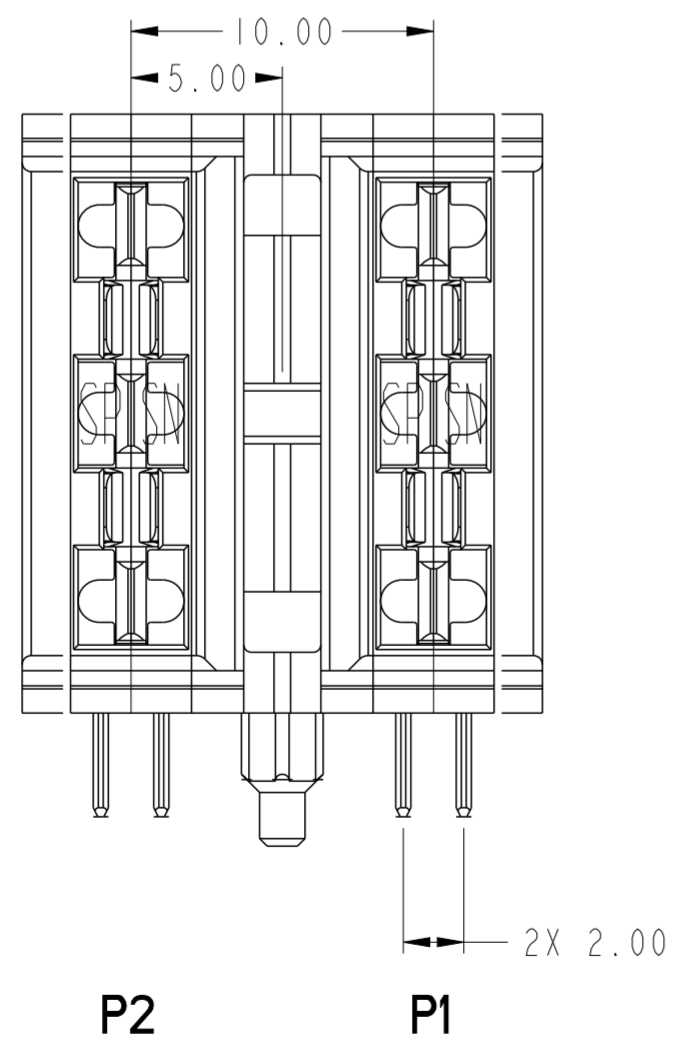
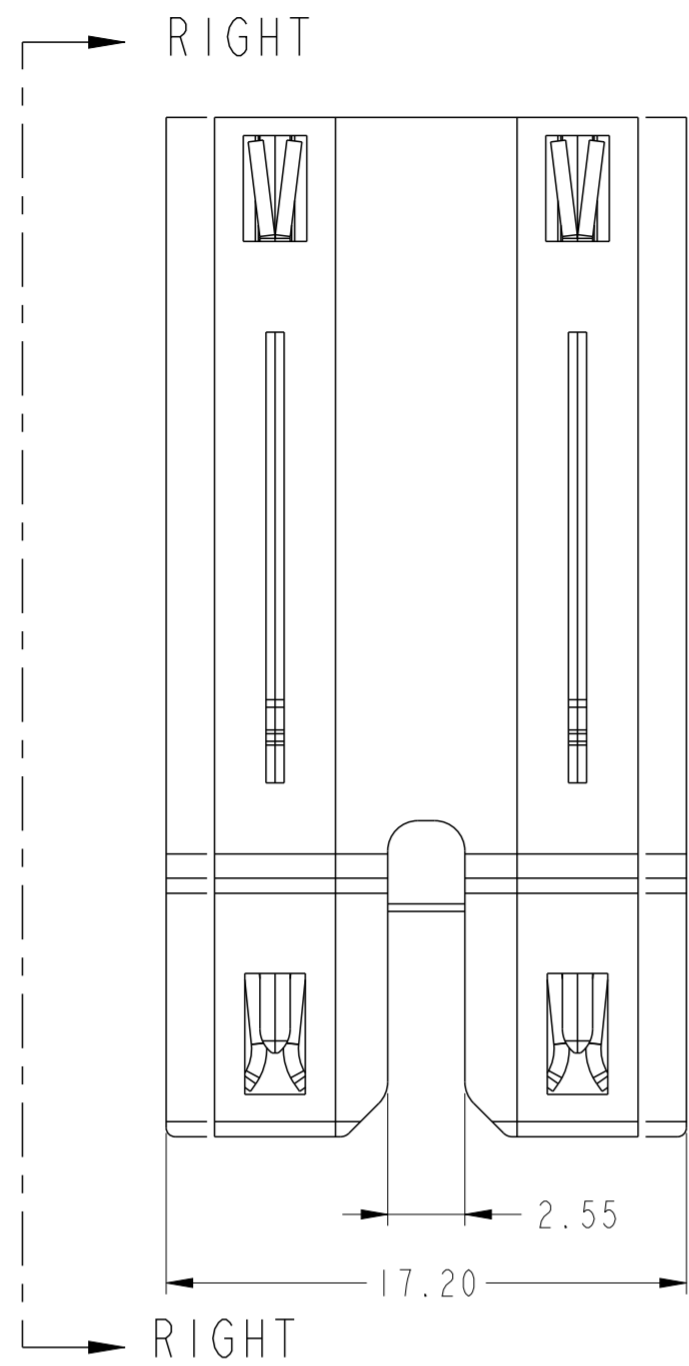


spec ref	-	dr	Chris Gieski	2015/01/21	projection	mm	size	A2	scale	1:1
tolerance std	ISO 406 ISO 1101	eng	Vicking Liu	2018/01/23		mm	ecn no	-	rel level	Released
TOLERANCES UNLESS OTHERWISE SPECIFIED		chr	Feng Zheng	2018/01/23						
		appr	Pai-Ming Zheng	2018/01/23						
surface	linear	0.X	±0.5	Amphenol FCI	RA ORTHO RECEPTACLE ASSEMBLY 2DC PWRMAX ORTHO CONNECTOR SYSTEM	cat. no.	Product - Customer Drw	sheet 2 of 6	rev A	
		0.XX	±0.25							
	angular	0°	±2°							

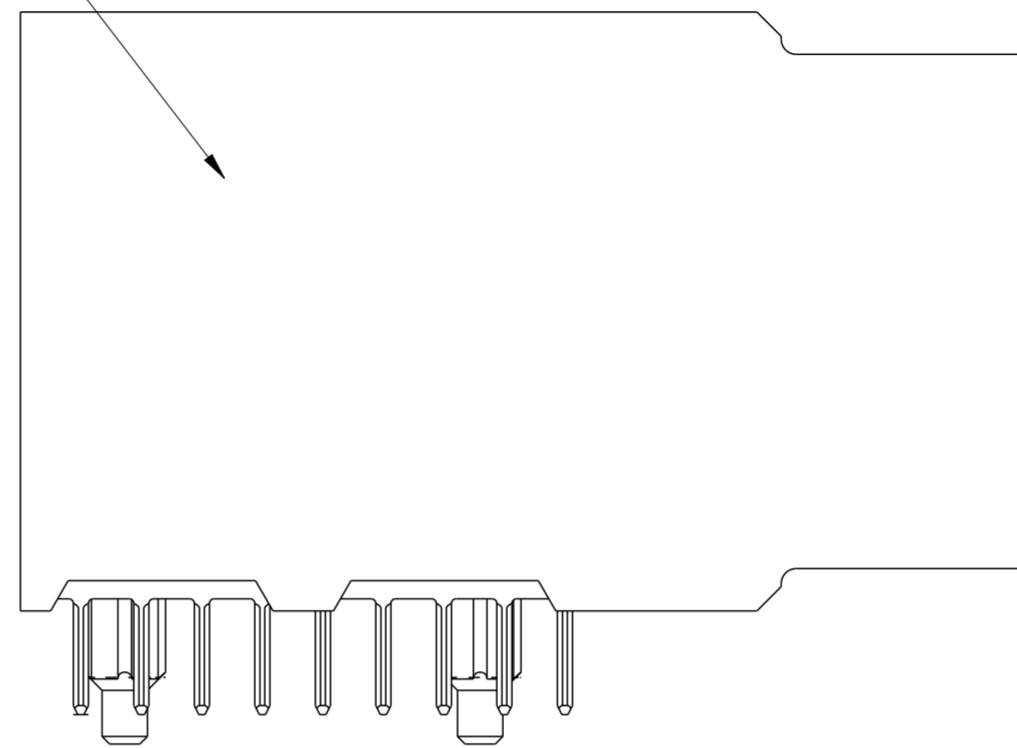
Amphenol FCI

© 2016 AFCI

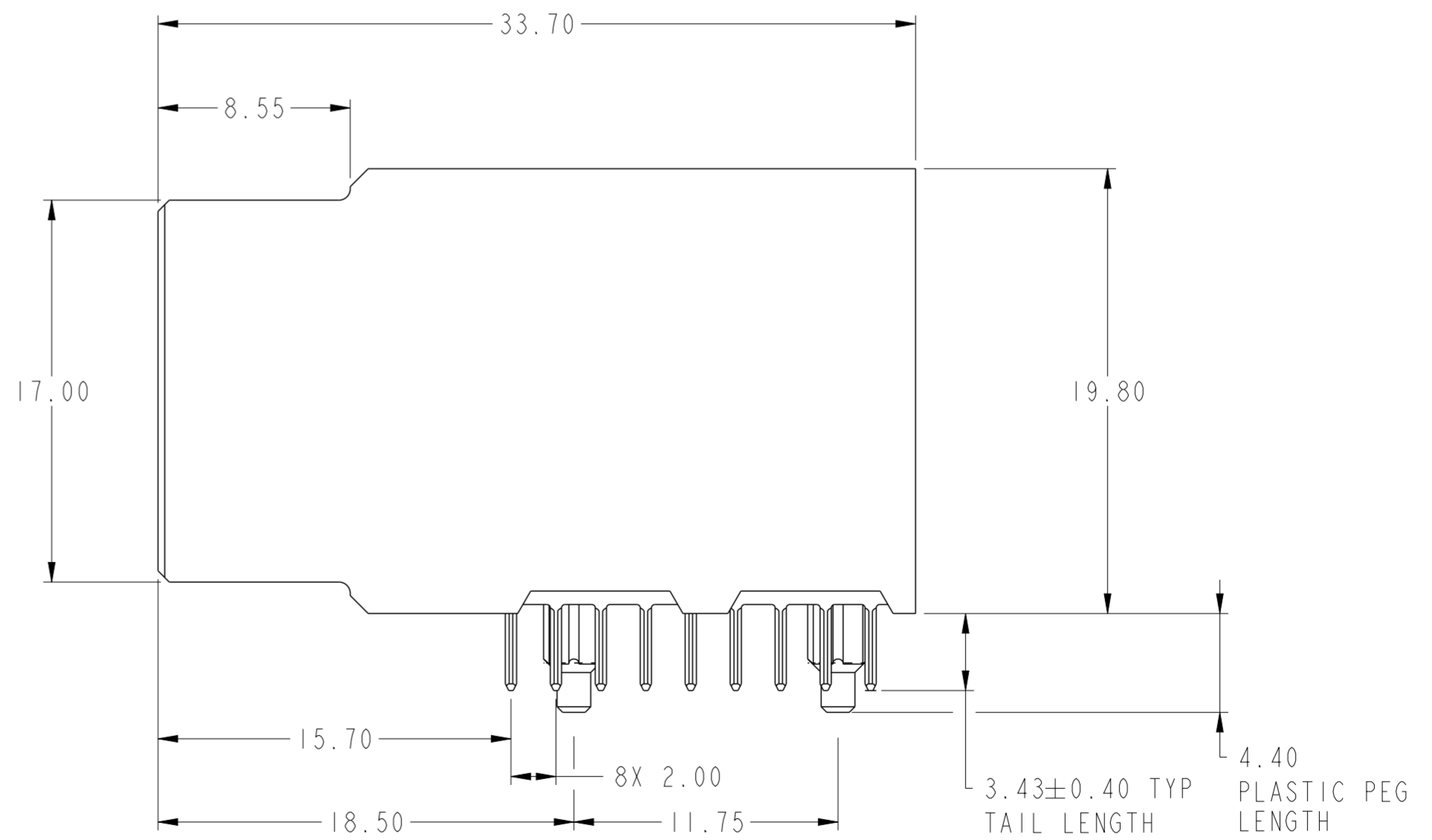
PART NO	DESCRIPTION
10132644-003LF	PCB RA RECEPTACLE STB OPTION



SEE NOTE 4



SECTION RIGHT-RIGHT
SCALE 4:1



spec ref	-	dr	Chris Gieski	2015/01/21	projection	mm	size	A2	scale	1:1
tolerance std	ISO 406 ISO 1101	eng	Vicking Liu	2018/01/23		mm	ecn no	-	rel level	Released
TOLERANCES UNLESS OTHERWISE SPECIFIED		chr	Feng Zheng	2018/01/23						
surface	linear	0.X	±0.5		RA ORTHO RECEPTACLE ASSEMBLY 2DC PWRMAX ORTHO CONNECTOR SYSTEM	cat. no.	Product - Customer Drw	sheet 3 of 6	rev A	
		0.XX	±0.25							
	angular	0°	±2°							
ISO 1302		appr	Pei-Ming Zheng	2018/01/23	product family	-	rel level	Released	title RA ORTHO RECEPTACLE ASSEMBLY 2DC PWRMAX ORTHO CONNECTOR SYSTEM	dwg no 10132644

PDS: Rev :A

STATUS:Released

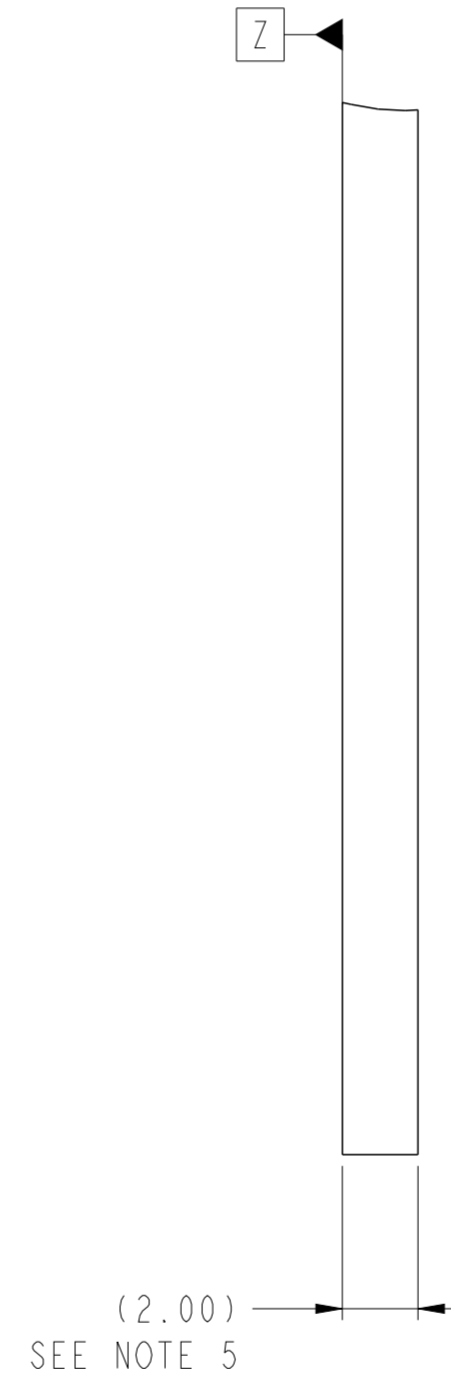
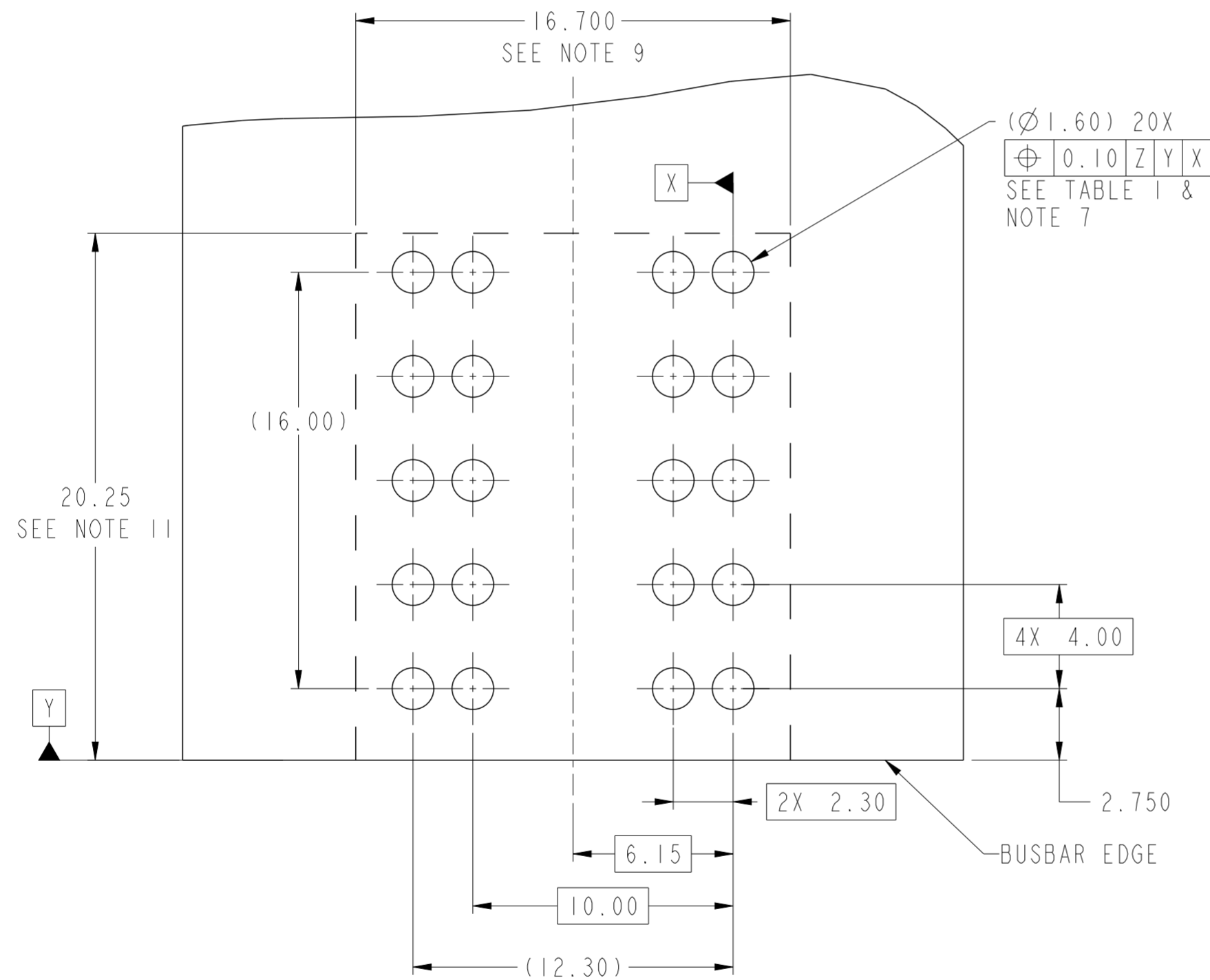
Printed: Jan 23, 2018

TABLE 1 (PWRMAX)
PLATED THROUGH-HOLE REQUIREMENTS

TOP LAYER DESCRIPTION	DRILLED HOLE DIAMETER	COPPER THICKNESS	TIN-LEAD THICKNESS	NICKEL THICKNESS	GOLD THICKNESS	TIN THICKNESS	SILVER THICKNESS	FINISHED HOLE DIAMETER
IMMERSION TIN	1.68-1.73 (1.72 DRILL)	0.025 - 0.050	--	--	--	0.9 - 1.5um	--	1.500 - 1.650
IMMERSION SILVER	1.68-1.73 (1.72 DRILL)	0.025 - 0.050	--	--	--	--	0.15 - 0.65um	1.500 - 1.650
COPPER (SEE NOTE 8)	1.68-1.73 (1.72 DRILL)	0.025 - 0.050	--	--	--	--	--	1.500 - 1.650
GOLD	1.68-1.73 (1.72 DRILL)	0.025 - 0.050	--	0.003 - 0.007	FLASH UP TO 0.0002	--	--	1.500 - 1.650

TABLE 2 (PWRMAX OTHOGONAL PLUG)
BUSBAR HOLE REQUIREMENTS

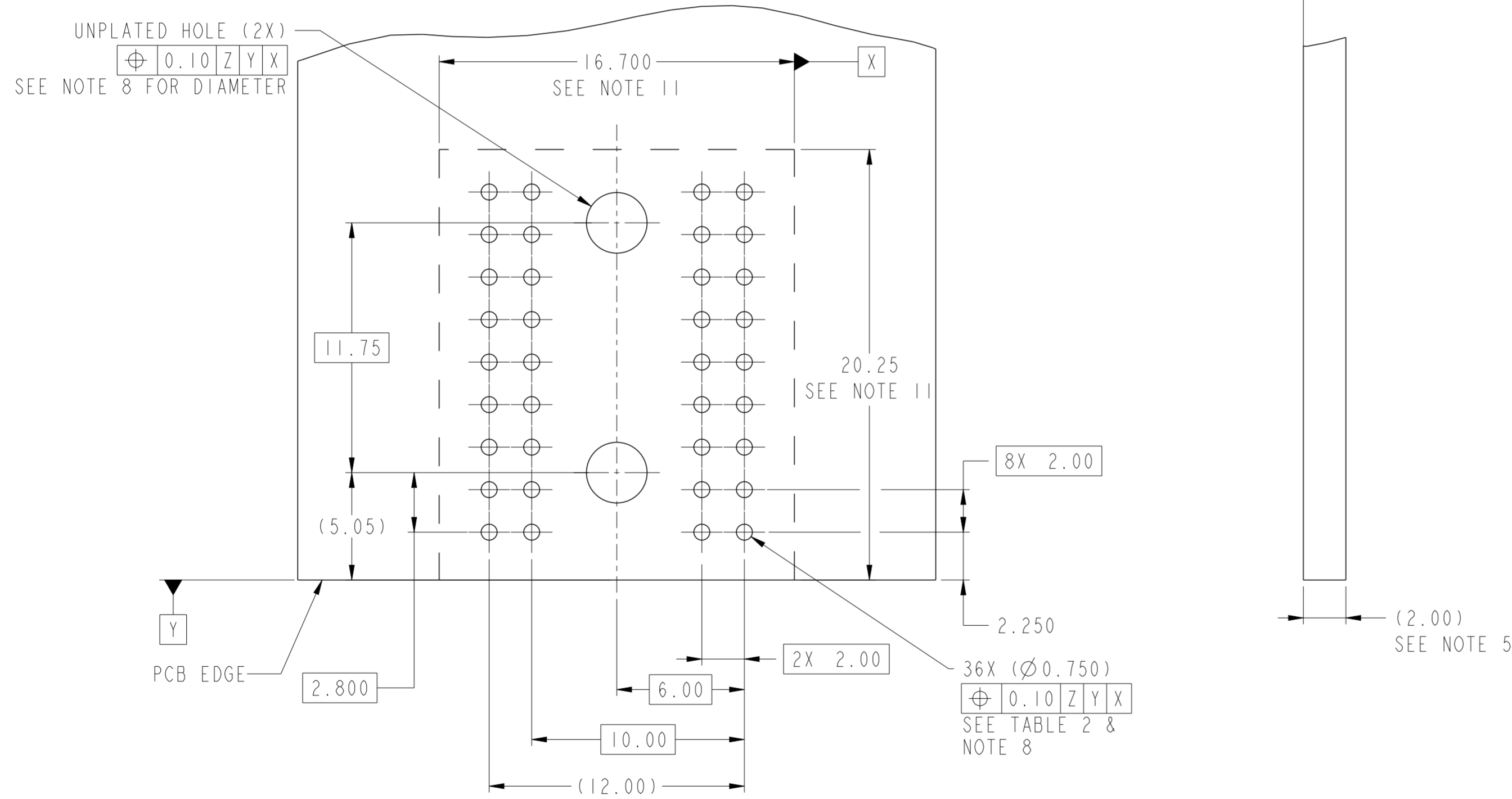
DESCRIPTION	FINISHED HOLE DIAMETER
BUSBAR	1.600 ± 0.050



RECOMMENDED BUSBAR FOOTPRINT
SCALE 5:1

spec ref	-	dr	Chris Gieski	2015/01/21	projection	mm	size	A2	scale	2:1			
tolerance std	ISO 406 ISO 1101	eng	Vicking Liu	2018/01/23			ecn no	-	Amphenol FCI	title	RA ORTHO RECEPTACLE ASSEMBLY 2DC		
surface	ISO 1302	chr	Feng Zheng	2018/01/23			product family	-		rel level	Released	diag no	10132644
		appr	Pai-Ming Zheng	2018/01/23			cat. no.	-		Product - Customer Drw	sheet 4 of 6	rev	A

TOP LAYER DESCRIPTION	TABLE 3 (PWRMAX) PLATED THROUGH-HOLE & BUSBAR HOLE REQUIREMENTS						
	DRILLED HOLE DIAMETER	COPPER THICKNESS	NICKEL THICKNESS	GOLD THICKNESS	TIN THICKNESS	SILVER THICKNESS	FINISHED HOLE DIAMETER
IMMERSION TIN	0.81-0.86 (0.85 DRILL)	0.025 - 0.050	--	--	0.9 - 1.5um	--	0.70-0.80
IMMERSION SILVER	0.81-0.86 (0.85 DRILL)	0.025 - 0.050	--	--	--	0.15 - 0.65um	0.70-0.80
COPPER (SEE NOTE 8)	0.81-0.86 (0.85 DRILL)	0.025 - 0.050	--	--	--	--	0.70-0.80
GOLD	0.81-0.86 (0.85 DRILL)	0.025 - 0.050	0.003 - 0.007	FLASH UP TO 0.0002	--	--	0.69-0.80



PCB PRESS FIT & STB LAYOUT
SCALE 5:1

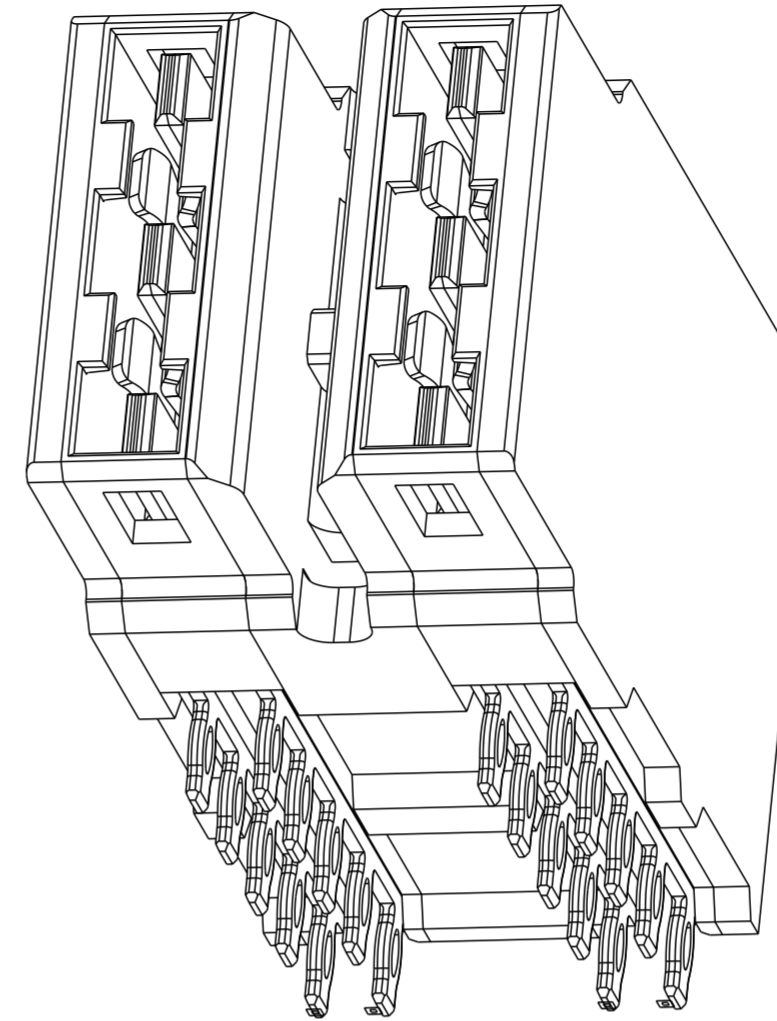
spec ref	-	dr	Chris Gieski	2015/01/21	projection	mm	size	A2	scale	2:1		
tolerance std	ISO 406 ISO 1101	eng	Vicking Liu	2018/01/23			ecn no	-		rel level	Released	
TOLERANCES UNLESS OTHERWISE SPECIFIED		chr	Feng Zheng	2018/01/23			product family	-		RA ORTHO RECEPTACLE ASSEMBLY 2DC	rev	A
surface	ISO 1302	appr	Pei-Ming Zheng	2018/01/23			cat. no.	-		PWRMAX ORTHO CONNECTOR SYSTEM	10132644	sheet 5 of 6
linear	0.X ±0.5 0.XX ±0.25 0.XXX ±0.10	Product - Customer Drw		STATUS: Released		Printed: Jan 23, 2018		PDS: Rev : A				
angular	0° ±2°	Product - Customer Drw		STATUS: Released		Printed: Jan 23, 2018		PDS: Rev : A				

RA ORTHO RECEPTACLE ASSEMBLY 2DC

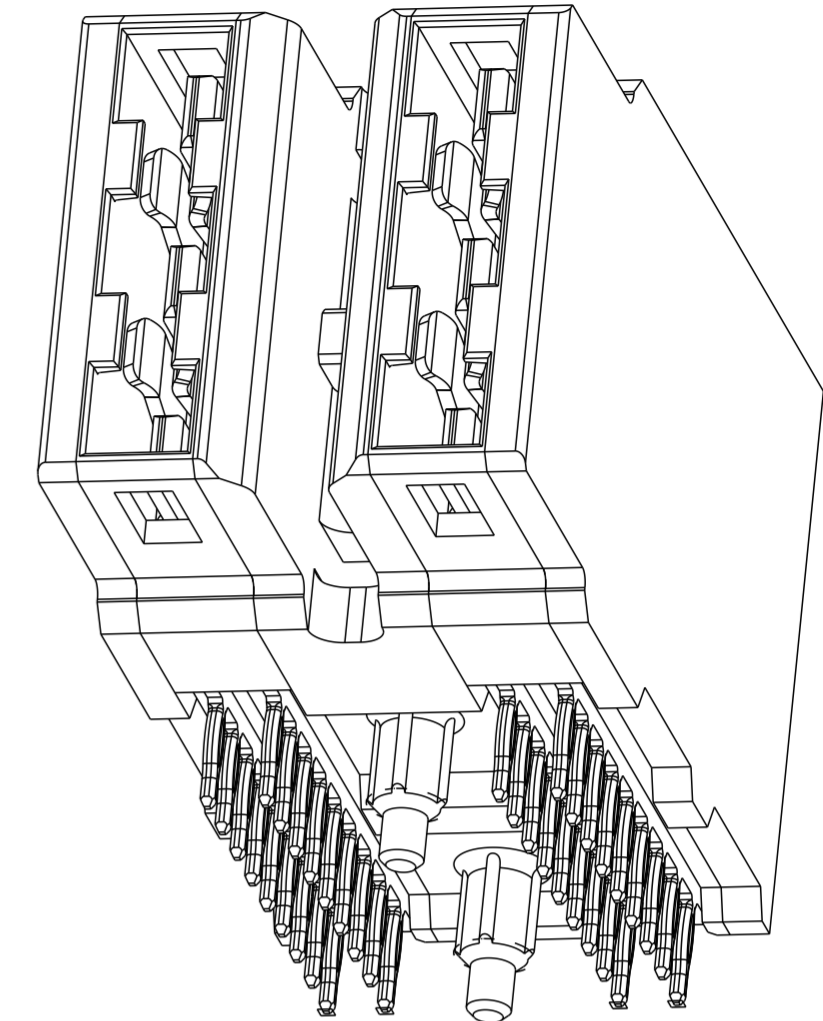
PRODUCT NUMBER	PLATING TYPE	TOOLED	DESCRIPTION
10132644-001LF	GCS	NO	BUSBAR RA RECEPTACLE PRESS FIT OPTION
10132644-002LF	GCS	YES	PCB RA RECEPTACLE PRESS FIT OPTION
10132644-003LF	GCS	YES	PCB RA RECEPTACLE STB OPTION

NOTES:

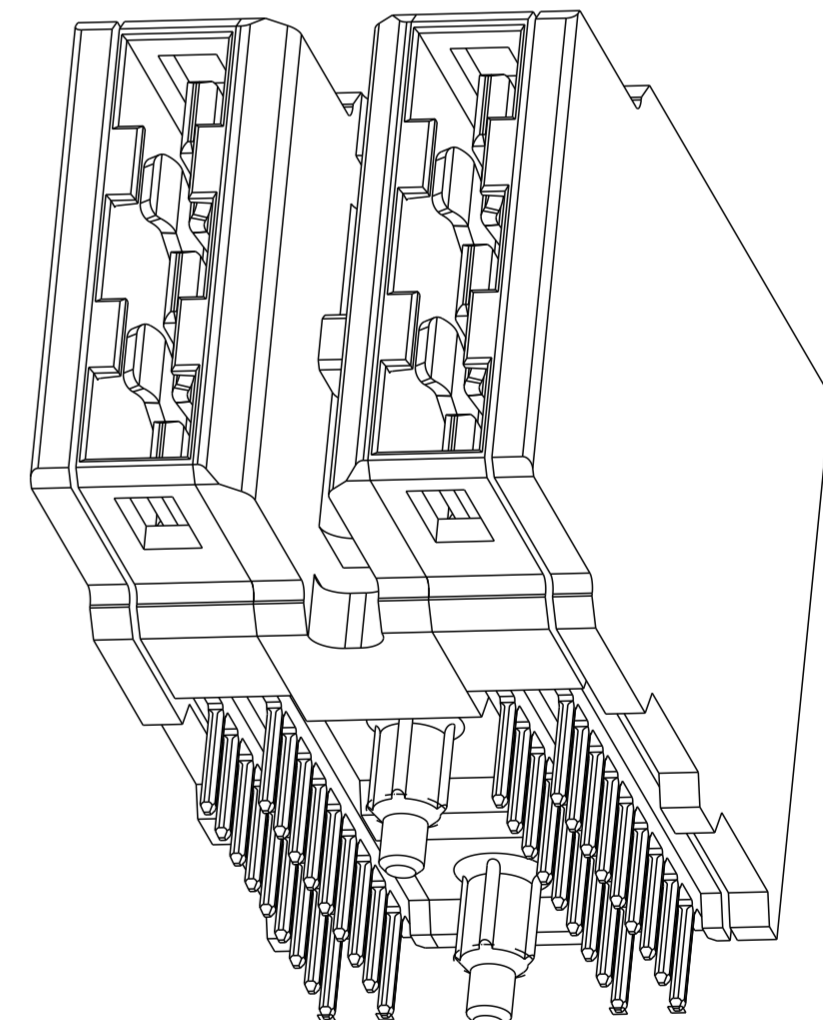
1. CONNECTOR MATERIALS:
HOUSING: HIGH TEMP THERMOPLASTIC, BLACK
UL94 V-0 COMPLIANT
CONTACTS: COPPER ALLOY
2. CONTACT FINISH: (REF. GS-12-1342 SECTION 5.2).
3. PRODUCT SPECIFICATION: GS-12-1342.
APPLICATION SPECIFICATION: GS-20-0452.
PACKAGING SPECIFICATION: GS-14-2479
4. PRODUCT MARKING (MANUFACTURER'S NAME, PRODUCT NUMBER AND DATE CODE) ON HOUSING IN AREA SHOWN.
5. MINIMAL NOMINAL BUSBAR & PCB THICKNESS: 1.60 mm
6. COPPER PLATING THICKNESS IN CENTER OF VIA-HOLE CAN BE NO MORE THAN 0.003 LESS THAN OTHER AREAS.
7. ALL HOLE SIZES ARE FINISHED HOLE SIZES UNLESS OTHERWISE NOTED.
8. PLASTIC PEG MOUNTING HOLES ARE UNPLATED.
Ø 2.85 ± 0.10 FOR PRESS-FIT TAILS
Ø 2.55 ± 0.10 FOR SOLDER TAILS
9. CONNECTER KEEP OUT ZONE.



10132644-001
SCALE 4:1



10132644-002
SCALE 4:1



10132644-003
SCALE 4:1

spec ref	-	dr	Chris Gieski	2015/01/21	projection	mm	size	A2	scale	4:1
tolerance std	ISO 406 ISO 1101	eng	Vicking Liu	2018/01/23			ecn no	-	rel level	Released
TOLERANCES UNLESS OTHERWISE SPECIFIED		chr	Feng Zheng	2018/01/23			product family	-		
surface	linear	0.X	±0.5		RA ORTHO RECEPTACLE ASSEMBLY 2DC		cat. no.	10132644	rev	A
		0.XX	±0.25		PWRMAX ORTHO CONNECTOR SYSTEM		Product - Customer Drw	sheet 6 of 6		
	angular	0°	±2°							