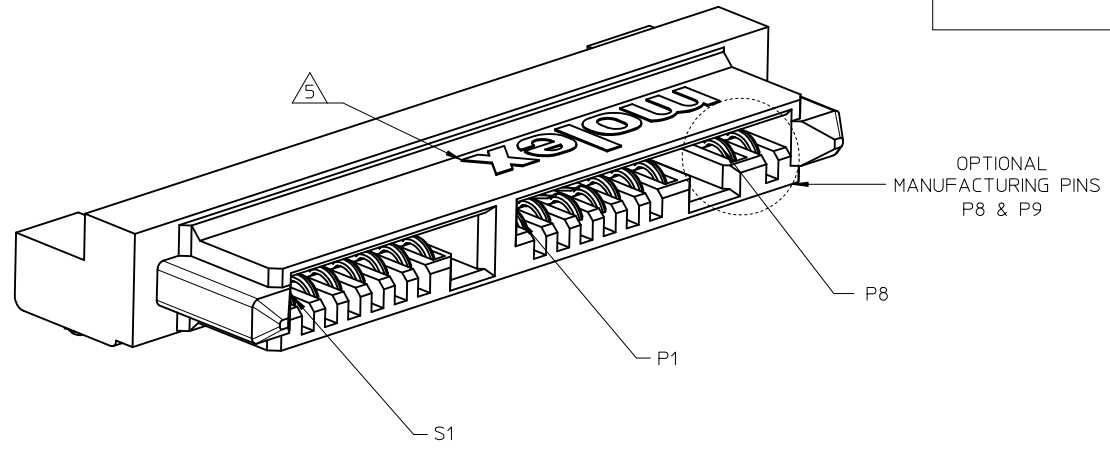
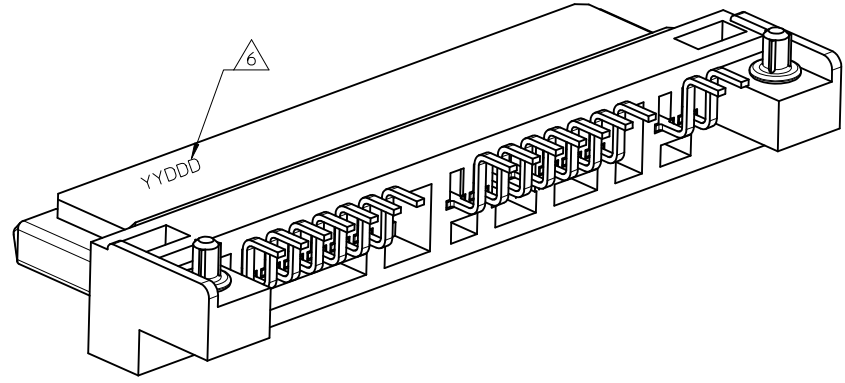


5	4	3	2	1
PART NUMBER	TOTAL PINS	DESCRIPTION		
78320-0001	16	WITH OPTIONAL MANUFACTURING PINS (S1 TO S7 & P1 TO P9)		
78320-1001	14	WITHOUT OPTIONAL MANUFACTURING PINS (S1 TO S7 & P1 TO P7)		

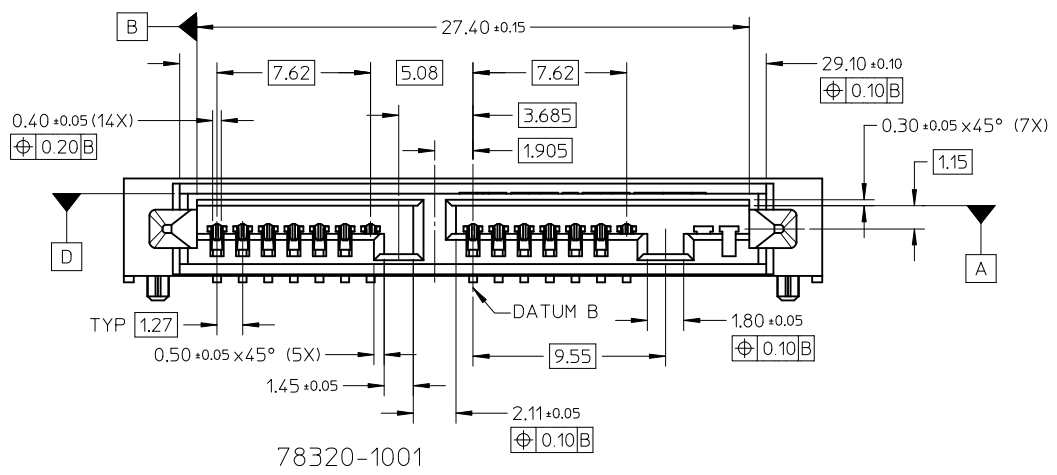


- NOTES:
- MATERIAL : NYLON (PA), GLASS FILLED, UL 94V-0, BLACK
TERMINAL/LOCATING PIN : COPPER ALLOY
 - FINISHES :
 TERMINAL : 0.76 μ m MIN. SELECTIVE GOLD OVER
 1.27 μ m MIN. NICKEL UNDERPLATE
 : 2.54 μ m MIN. TIN OVER
 1.27 μ m MIN. NICKEL UNDERPLATE
 LOCATING PIN : 3.81 μ m MIN. TIN OVER
 2.00 μ m MIN. NICKEL UNDERPLATE
 - PRODUCT SPECIFICATION: PS-78320-002
 - PACKAGING : TRAY
 - MOLEX LOGO LOCATED APPROXIMATELY AS SHOWN
 - DATE CODE LOCATED APPROXIMATELY AS SHOWN
 - THIS PRODUCT IS COMPLIANT TO RoHS DIRECTIVE WITH THE FOLLOWING BANNED SUBSTANCES - LEAD, MERCURY, CADMIUM, HEXAVALENT CHROMIUM, POLYBROMINATED BIPHENYLS AND POLYBROMINATED DIPHENYLS ETHERS.
 - NON FUNCTIONAL CORING MAY VARY.

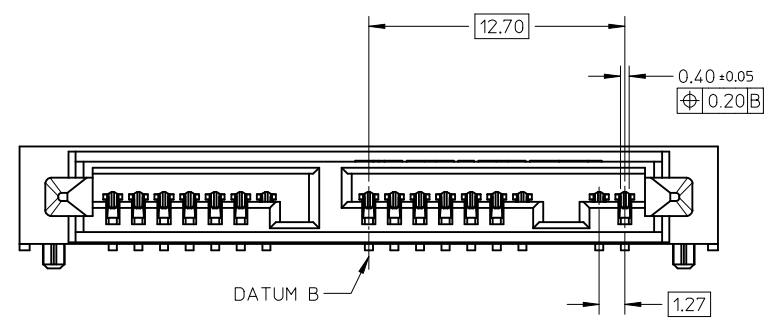


UPDATE VIEWS EC NO: S2010-0590 DRWN:GMENARLY 2010/01/13 CHKD:CGOH 2010/01/25 APPR:BOKOK 2010/01/28	QUALITY SYMBOLS	GENERAL TOLERANCES (UNLESS SPECIFIED)		DIMENSION STYLE		SCALE	DESIGN UNITS	THIRD ANGLE PROJECTION	
	$\nabla_A=0$	mm	INCH	MM ONLY		NTS	METRIC		
	$\nabla_C=0$	4 PLACES	\pm ---	\pm ---	DRAWN BY	DATE	TITLE		
	$\nabla_P=0$	3 PLACES	\pm ---	\pm ---	GMENARLY	2007/08/23	SERIAL ATA RECEPTACLE 1.8 INCH HDD/SSD R/A, SMT, 3.80MM HEIGHT		
	2 PLACES	\pm 0.20	\pm ---	CHECKED BY	DATE	MOLEX INCORPORATED			
	1 PLACE	\pm ---	\pm ---	YKOH	2007/10/04	SD-78320-001			
		ANGULAR \pm 3 °		APPROVED BY	DATE	DOCUMENT NO.		SHEET NO.	
		DRAFT WHERE APPLICABLE MUST REMAIN WITHIN DIMENSIONS		BOKOK	2010/01/26	SEE TABLE		1 OF 5	
				MATERIAL NO.		THIS DRAWING CONTAINS INFORMATION THAT IS PROPRIETARY TO MOLEX INCORPORATED AND SHOULD NOT BE USED WITHOUT WRITTEN PERMISSION			
A3	REV			SIZE	A3				

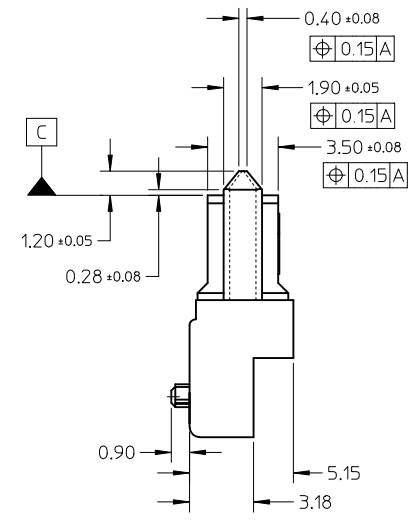
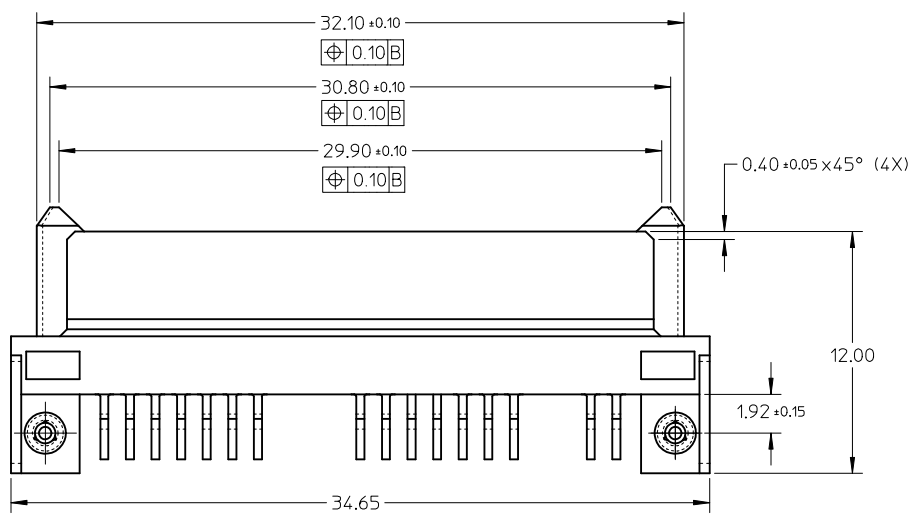
10 9 8 7 6 5 4 3 2 1



78320-1001

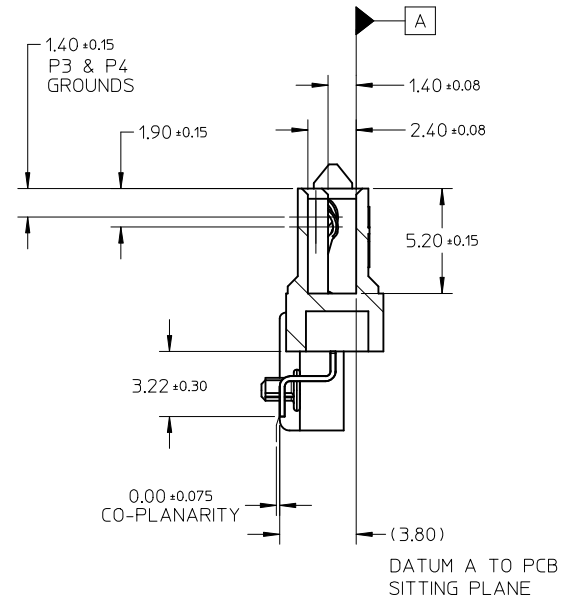
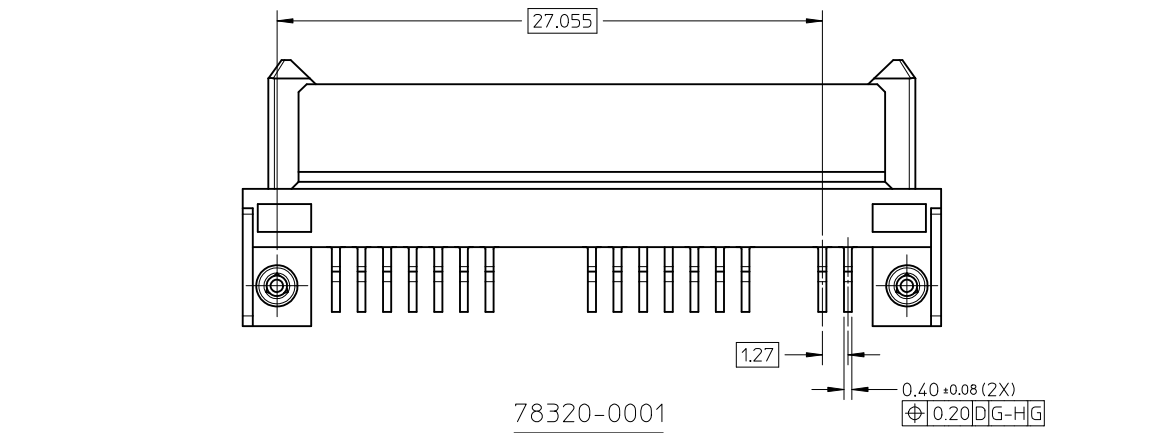
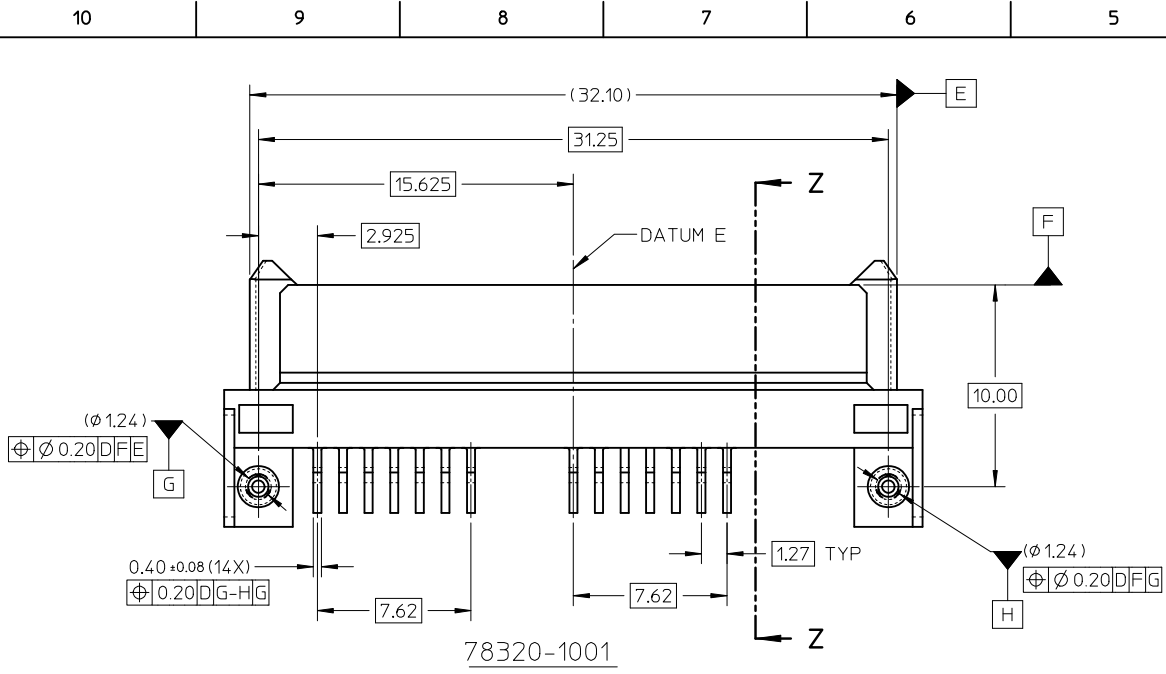


78320-0001



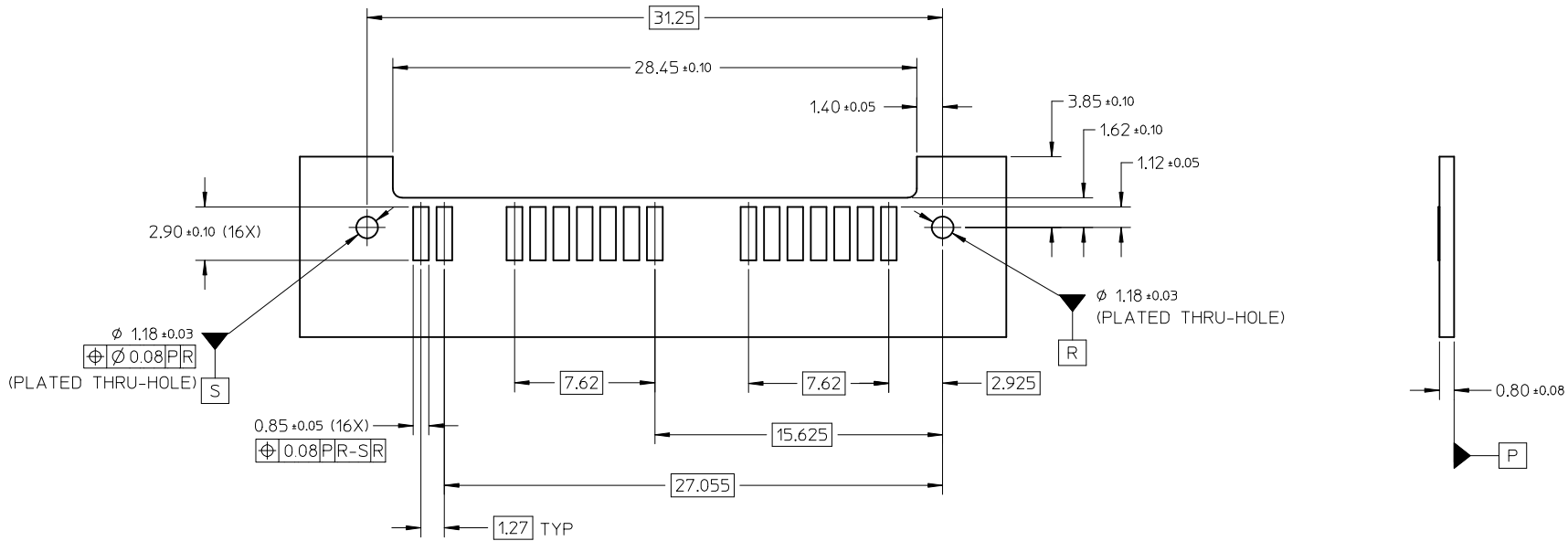
UPDATE VIEWS EC NO: S2010-0590 DRWG: GMENARLY 2010/01/13 CHKD: CGOH 2010/01/25 APPR: BOKOK 2010/01/28	QUALITY SYMBOLS $F_A=0$ $F_C=0$ $F_P=0$	GENERAL TOLERANCES (UNLESS SPECIFIED)		DIMENSION STYLE		SCALE	DESIGN UNITS	THIRD ANGLE PROJECTION		
				MM ONLY		NTS	METRIC			
			mm	INCH	DRAWN BY	DATE	TITLE			
		4 PLACES	± ---	± ---	GMENARLY	2007/08/23	SERIAL ATA RECEPTACLE			
3 PLACES	± ---	± ---	CHECKED BY	DATE	1.8 INCH HDD/SSD					
2 PLACES	± 0.20	± ---	YKOH	2007/10/04	R/A, SMT, 3.80MM HEIGHT					
1 PLACE	± ---	± ---	APPROVED BY	DATE	MOLEX INCORPORATED					
		ANGULAR ± 3 °		BOKOK	2010/01/26	MOLEX INCORPORATED				
		DRAFT WHERE APPLICABLE MUST REMAIN WITHIN DIMENSIONS		MATERIAL NO.		DOCUMENT NO.		SHEET NO.		
				SEE TABLE		SD-78320-001		2 OF 5		
				THIS DRAWING CONTAINS INFORMATION THAT IS PROPRIETARY TO MOLEX INCORPORATED AND SHOULD NOT BE USED WITHOUT WRITTEN PERMISSION						

9 8 7 6 5 4 3 2 1



SECTION Z-Z

UPDATE VIEWS EC NO: S2010-0590 DRWNG: GMENARLY 2010/01/13 CHKD: CGOH 2010/01/25 APPR: BOKOK 2010/01/26	QUALITY SYMBOLS $F_A=0$ $F_G=0$ $F_P=0$	GENERAL TOLERANCES (UNLESS SPECIFIED)		DIMENSION STYLE MM ONLY		SCALE NTS	DESIGN UNITS METRIC	THIRD ANGLE PROJECTION		
			mm	INCH	DRAWN BY	DATE	TITLE			
		4 PLACES	± ---	± ---	GMENARLY	2007/08/23	SERIAL ATA RECEPTACLE 1.8 INCH HDD/SSD R/A, SMT, 3.80MM HEIGHT MOLEX INCORPORATED			
		3 PLACES	± ---	± ---	CHECKED BY	DATE				
2 PLACES	± 0.20	± ---	YKOH	2007/10/04	MATERIAL NO. SEE TABLE DOCUMENT NO. SD-78320-001 SHEET NO. 3 OF 5					
1 PLACE	± ---	± ---	APPROVED BY	DATE	BOKOK 2010/01/26					
ANGULAR ± 3 °		DRAFT WHERE APPLICABLE MUST REMAIN WITHIN DIMENSIONS		SIZE A3		THIS DRAWING CONTAINS INFORMATION THAT IS PROPRIETARY TO MOLEX INCORPORATED AND SHOULD NOT BE USED WITHOUT WRITTEN PERMISSION				



RECOMMENDED PCB LAYOUT

UPDATE VIEWS EC NO: S2010-0590 DRWNG: GMENARLY 2010/01/13 CHK'D: CGOH 2010/01/25 APPR: BOKOK 2010/01/28	QUALITY SYMBOLS	GENERAL TOLERANCES (UNLESS SPECIFIED)		DIMENSION STYLE MM ONLY		SCALE NTS	DESIGN UNITS METRIC	THIRD ANGLE PROJECTION	
	$F_A=0$	mm	INCH	DRAWN BY	DATE	TITLE			
	$F_C=0$	4 PLACES ± ---	± ---	GMENARLY	2007/08/23	SERIAL ATA RECEPTACLE			
	$F_P=0$	3 PLACES ± ---	± ---	CHECKED BY	DATE	1.8 INCH HDD/SSD			
	2 PLACES ± 0.20	± ---	YKOH	2007/10/04	R/A, SMT, 3.80MM HEIGHT				
	1 PLACE ± ---	± ---	APPROVED BY	DATE	MOLEX INCORPORATED				
	ANGULAR ± 3 °		BOKOK	2010/01/26	MATERIAL NO. DOCUMENT NO. SHEET NO.				
	DRAFT WHERE APPLICABLE MUST REMAIN WITHIN DIMENSIONS		SEE TABLE		SD-78320-001 4 OF 5				
A3	REV	SIZE A3		THIS DRAWING CONTAINS INFORMATION THAT IS PROPRIETARY TO MOLEX INCORPORATED AND SHOULD NOT BE USED WITHOUT WRITTEN PERMISSION					

10 9 8 7 6 5 4 3 2 1

F

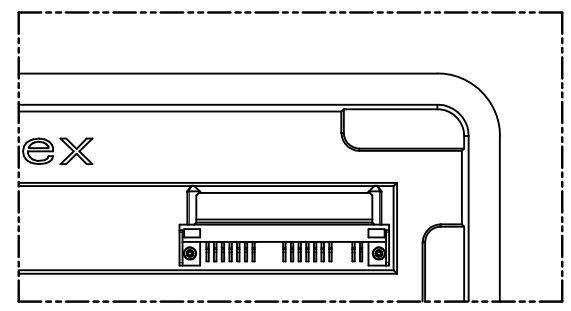
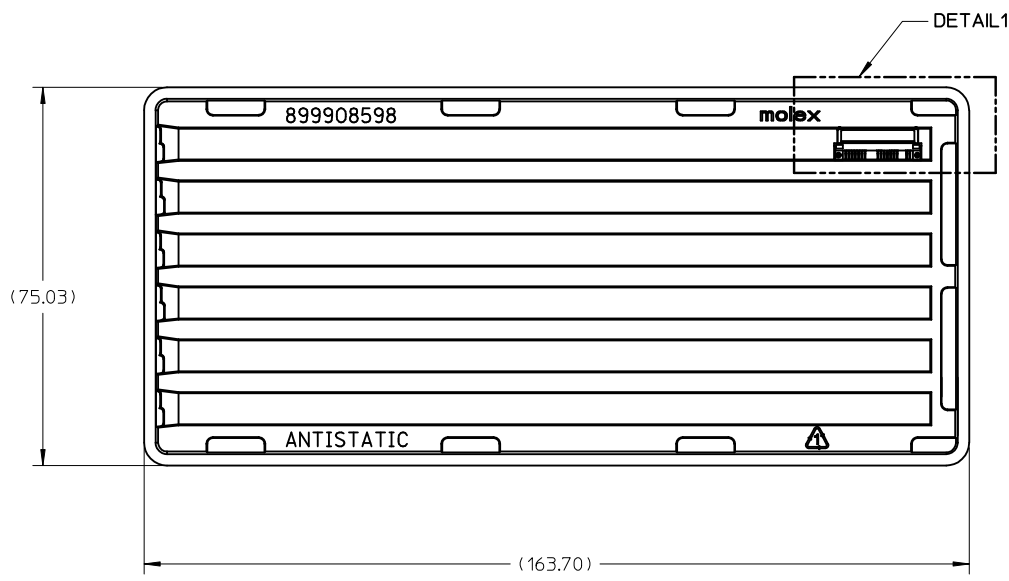
E

D

C

B

A



DETAIL 1

- NOTES:
 1. PACKAGING QTY: 54PCS/TRAY
 2. MATERIAL: PVC-CLEAR, ANTISTATIC
 0.70MM THICK (PRE-FORMED)

UPDATE VIEWS EC NO: S2010-0590 DRWNG: GMENARLY 2010/01/13 CHKD: CGOH 2010/01/25 APPR: BOKOK 2010/01/28	DESCRIPTION REV	QUALITY SYMBOLS	GENERAL TOLERANCES (UNLESS SPECIFIED)		DIMENSION STYLE MM ONLY		SCALE NTS	DESIGN UNITS METRIC	THIRD ANGLE PROJECTION
		$F_A=0$ $F_C=0$ $F_P=0$	mm INCH 4 PLACES ± --- ± --- 3 PLACES ± --- ± --- 2 PLACES ± 0.20 ± --- 1 PLACE ± --- ± --- ANGULAR ± 3 °	DRAWN BY GMENARLY CHECKED BY YKOH APPROVED BY BOKOK MATERIAL NO. SEE TABLE	DATE 2007/08/23 DATE 2007/10/04 DATE 2010/01/26	TITLE	DOCUMENT NO.	SHEET NO.	
		DRAFT WHERE APPLICABLE MUST REMAIN WITHIN DIMENSIONS		SEE TABLE		SERIAL ATA RECEPTACLE 1.8 INCH HDD/SSD R/A, SMT, 3.80MM HEIGHT MOLEX INCORPORATED		SD-78320-001	5 OF 5
				THIS DRAWING CONTAINS INFORMATION THAT IS PROPRIETARY TO MOLEX INCORPORATED AND SHOULD NOT BE USED WITHOUT WRITTEN PERMISSION					

9 8 7 6 5 4 3 2 1