



# PRODUCT DATASHEET

## Strada series

last update 11/11/2015

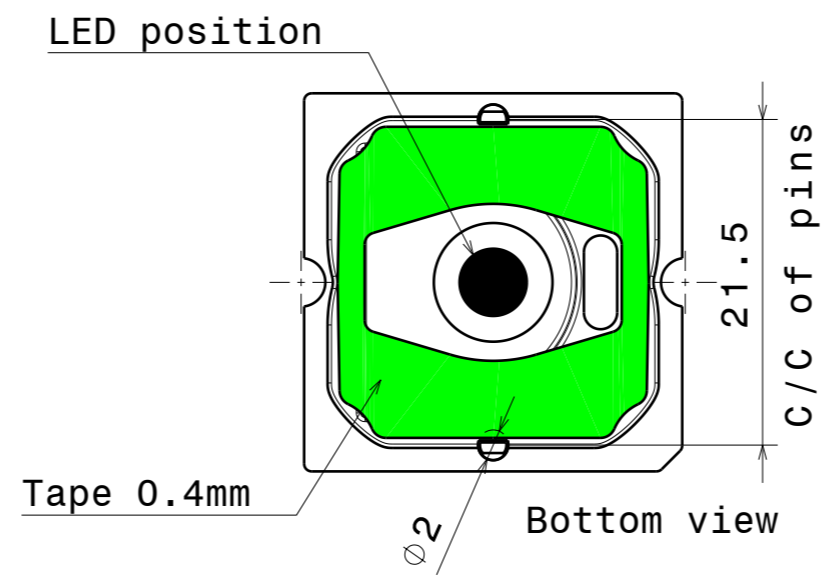
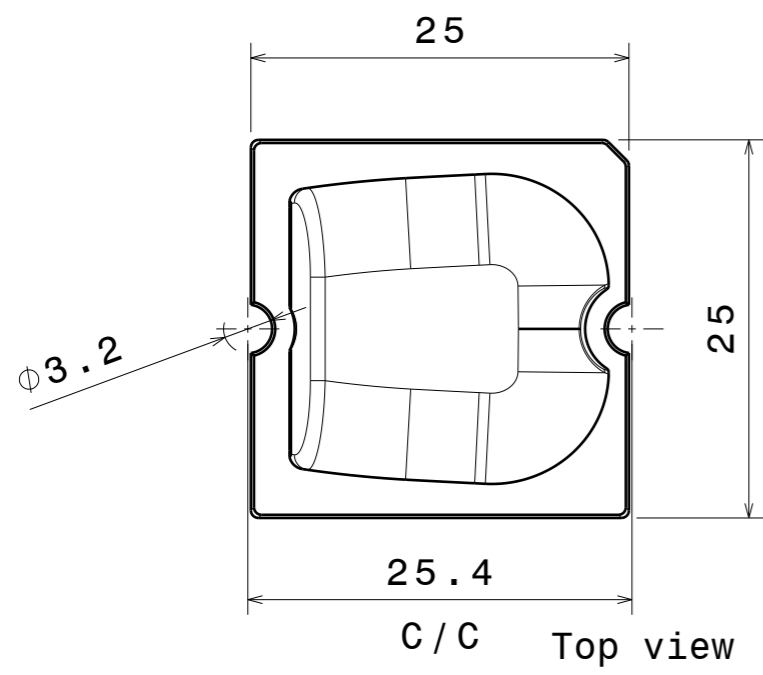
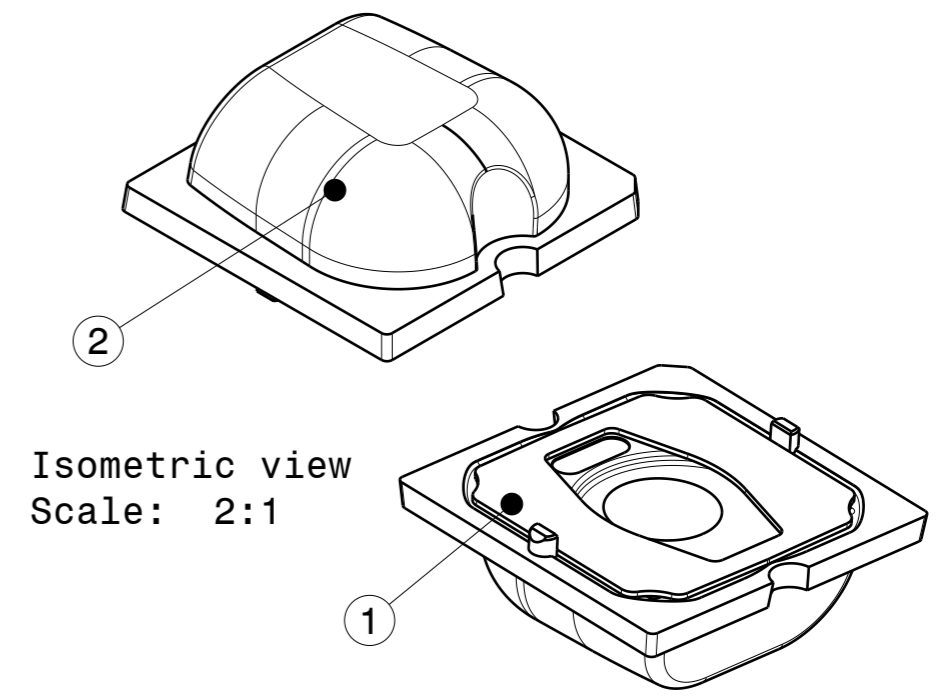
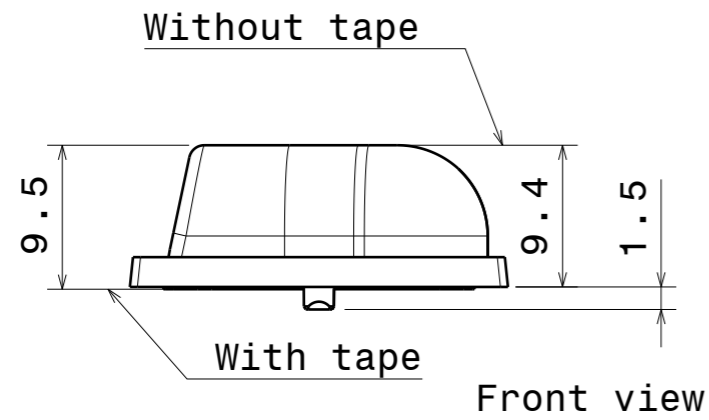
## DETAILS

<b>Product Number</b>	CA14026_STRADA-SQ-ME
<b>Family</b>	Strada
<b>Type</b>	Assembly
<b>Color</b>	clear
<b>Diameter</b>	25 x 25 mm
<b>Height</b>	8,8 mm
<b>Style</b>	square
<b>Optic Material</b>	PMMA
<b>Holder Material</b>	
<b>Fastening</b>	tape, pin, screw
<b>Status</b>	production ready
<b>ROHS Compliant</b>	Yes
<b>Date Updated</b>	11/11/2015

## OPTICAL PROPERTIES

LED	Viewing	Light	Effi-	cd/lm	Connector
	Angle	Beam	ciency		
PSL440	Asymmetric deg	Streetligh...	91 %	0.710	-
PSL445	Asymmetric deg	Streetligh...	91 %	0.430	-
MK-R	asymmetric deg	Streetligh...	93 %	0.640	-
MHB-A	sim: Asymmetri	Streetligh...	-	-	-
XHP50	Asymmetric deg	Streetligh...	92 %	0.580	-
LUXEON M/MX	asymmetric deg	Streetligh...	92 %	0.670	-
LUXEON MZ	asymmetric deg	Streetligh...	93 %	0.960	-
LUXEON XR-M linear 1x3, 1x4, 1x5	Asymmetric deg	Streetligh...	93 %	0.670	-
NV4x144A	Asymmetric deg	Streetligh...	91 %	0.540	-
NVSxx19B/NVSxx19C	sim: Asymmetri	Streetligh...	sim: 92 %	sim: 0.980	-
Duris S10	Asymmetric deg	Streetligh...	90 %	0.510	-
Duris P10	sim: Asymmetri	Streetligh...	sim: 91 %	sim: 0.710	-

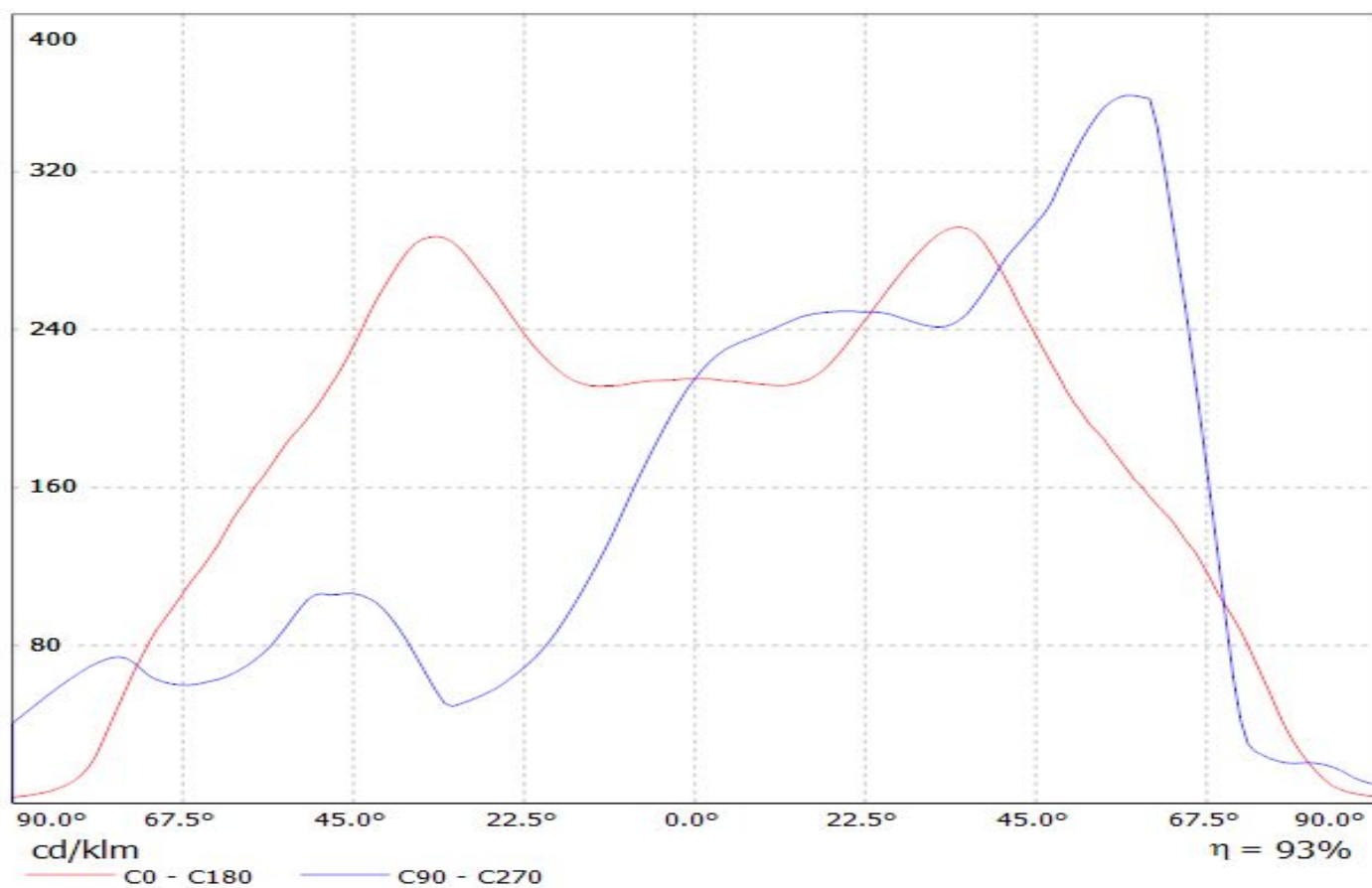
H G F E D C B A



<p>Tolerances if not otherwise shown According to DIN ISO 2768-1 Linear measures: Up to 30mm class M, otherwise class C. According to DIN ISO 2768-2 Form and position: class L</p>		<p><b>LEDiL</b> Ledil Oy Salorankatu 10 FIN 24240 SALO Finland</p>	
<p>THIRD ANGLE PROJECTION: </p>		<p>DRAWING TITLE <b>STRADA-SQ-T4 Mechanical Drawing</b></p>	
<p>This drawing is the property of LEDiL Oy. It may not be reproduced, copied or communicated without a written agreement with LEDiL Oy."</p>		<p>SIZE <b>A3</b></p>	<p>PART NUMBER -</p>
		<p>SCALE <b>2:1</b></p>	<p>WEIGHT -</p>
		<p>SHEET <b>1/1</b></p>	

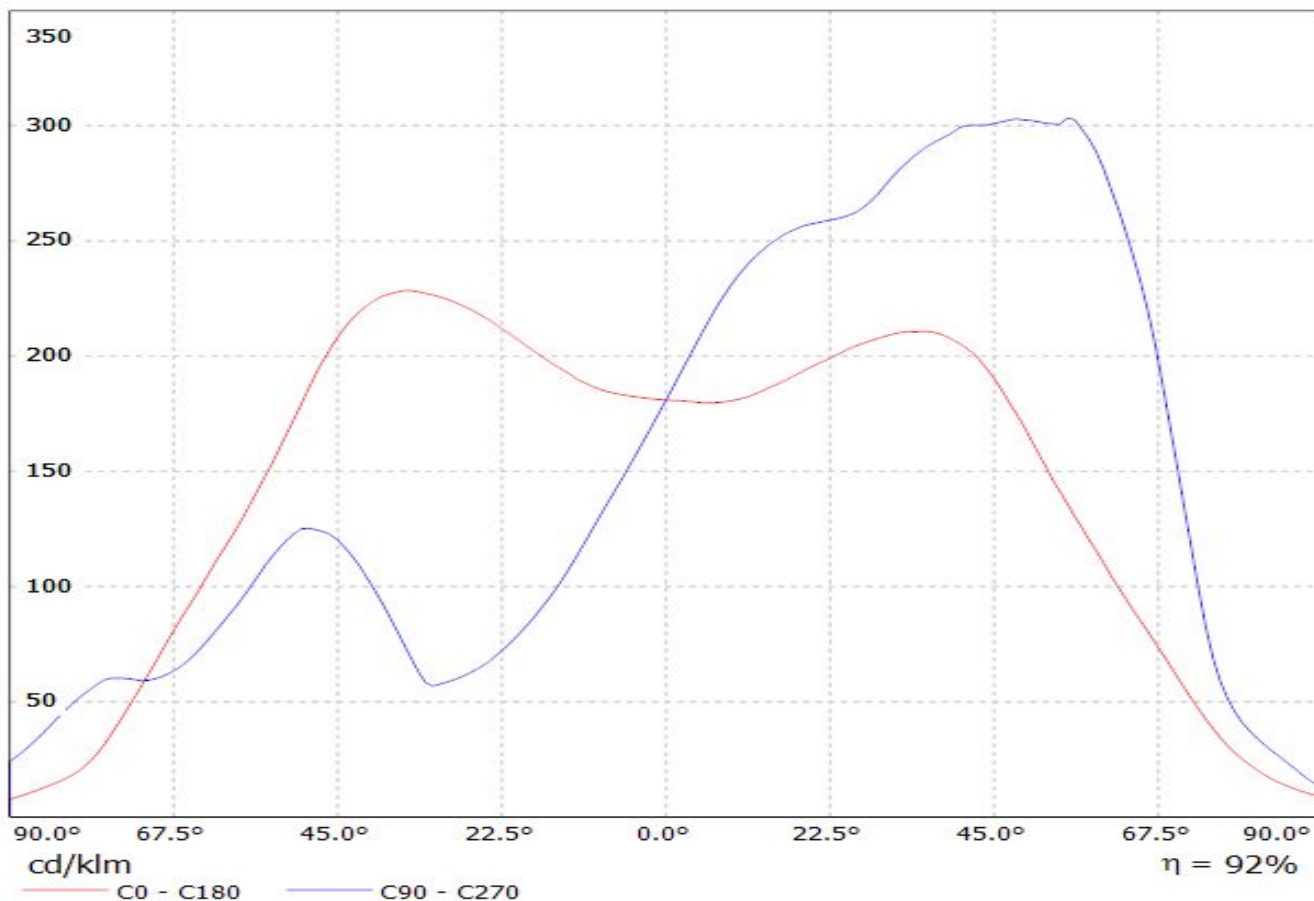
H G B A

Luminaire: LEDiL Oy CA14032\_STRADA-SQ-T4\_(PSL440)  
Lamps: 1 x Citizen\_PSL440\_256.951lm@250mA\_P=2.8697W\_I=0.250A

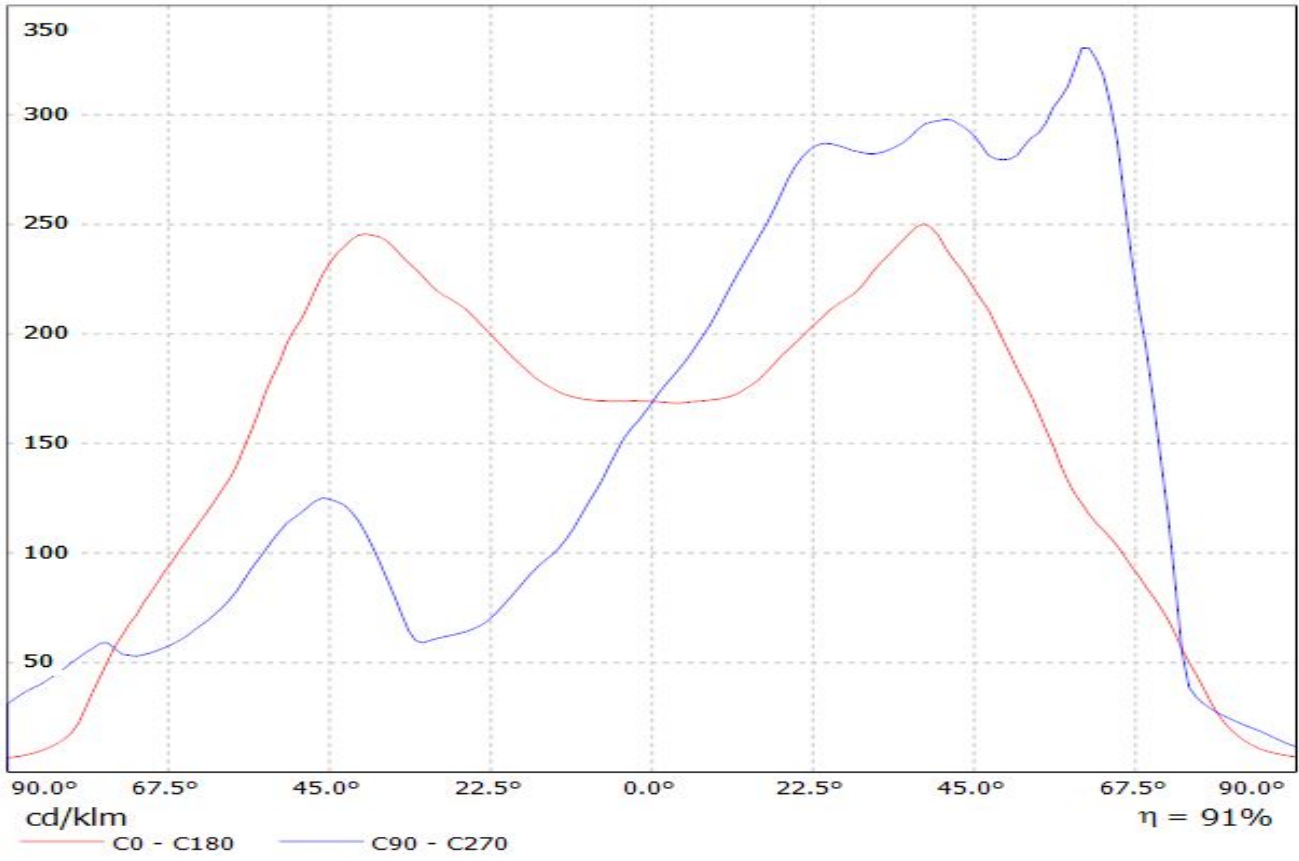


Luminaire: LEDiL Oy CA14032\_STRADA-SQ-T4\_(PSL445)

Lamps: 1 x Citizen\_PSL445\_424.116lm@250mA\_P=2.81625W\_I=0.250A\_CCT=2700K

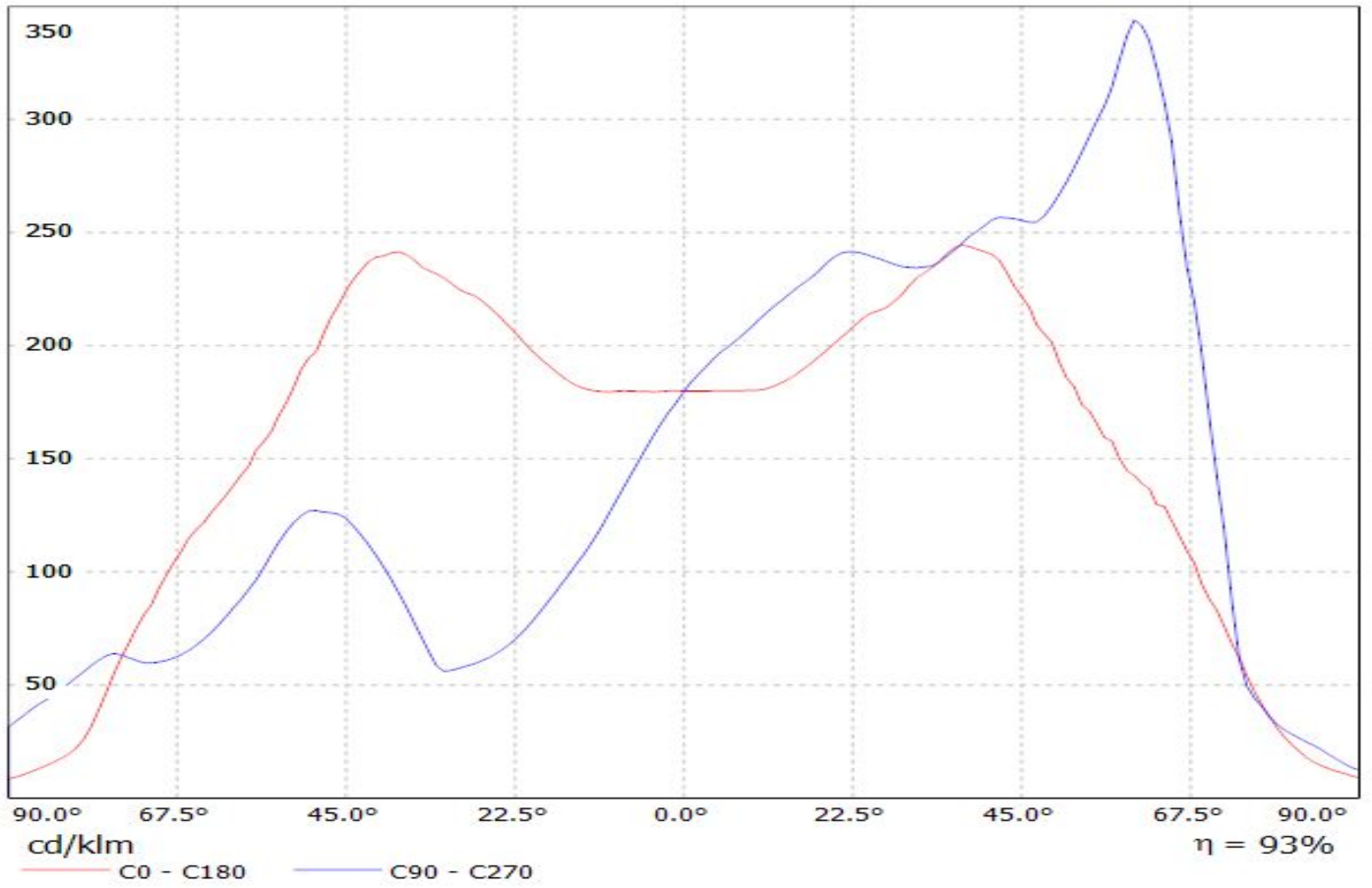


Luminaire: LEDiL Oy STRADA-SQ-T4\_(MK-R)  
Lamps: 1 x CREE\_MK-R\_356.736lm@250mA\_P=2.83786W\_I=249.9mA

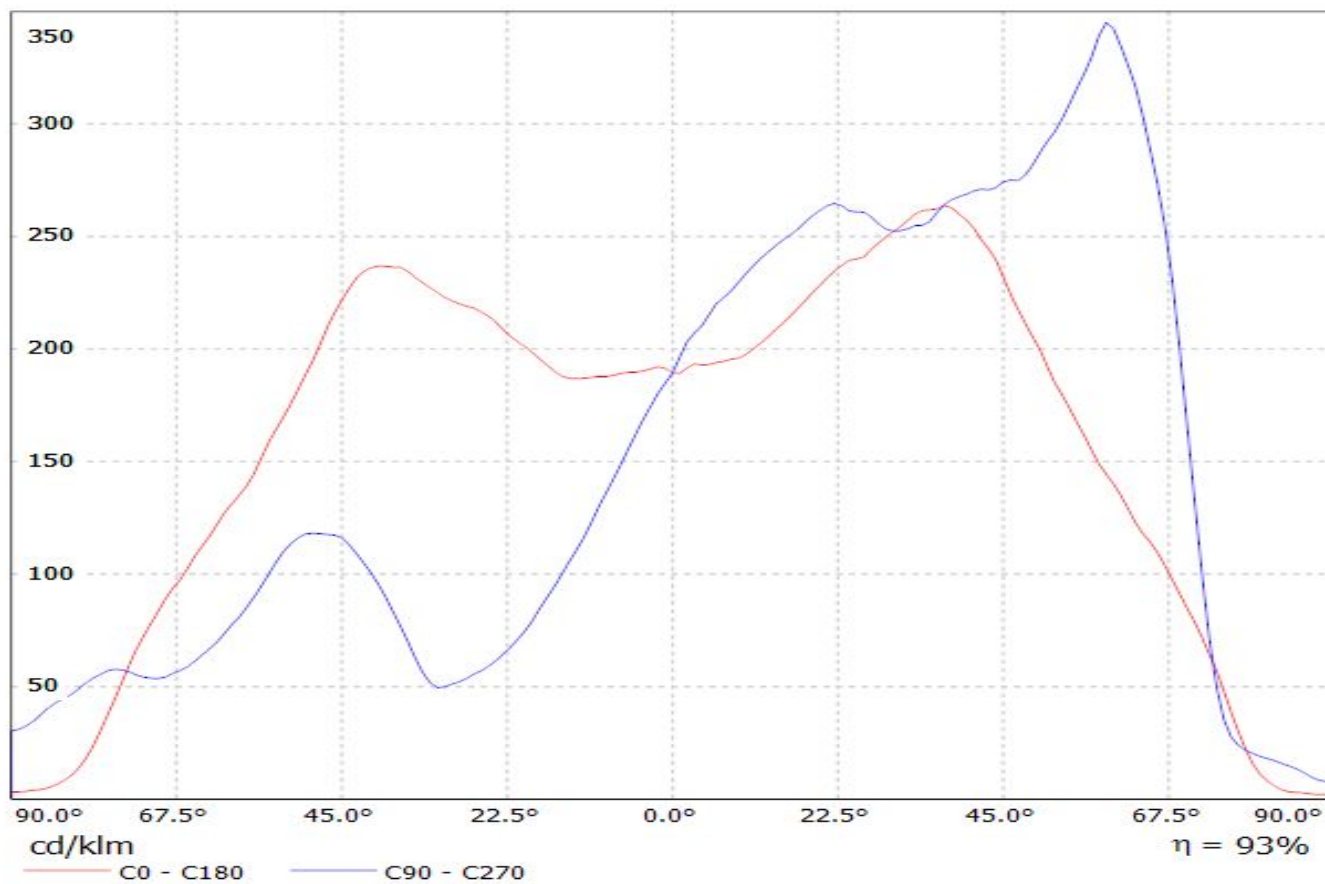


Luminaire: LEDiL Oy CA14032\_STRADA-SQ-T4\_(XHP50\_cool\_white)

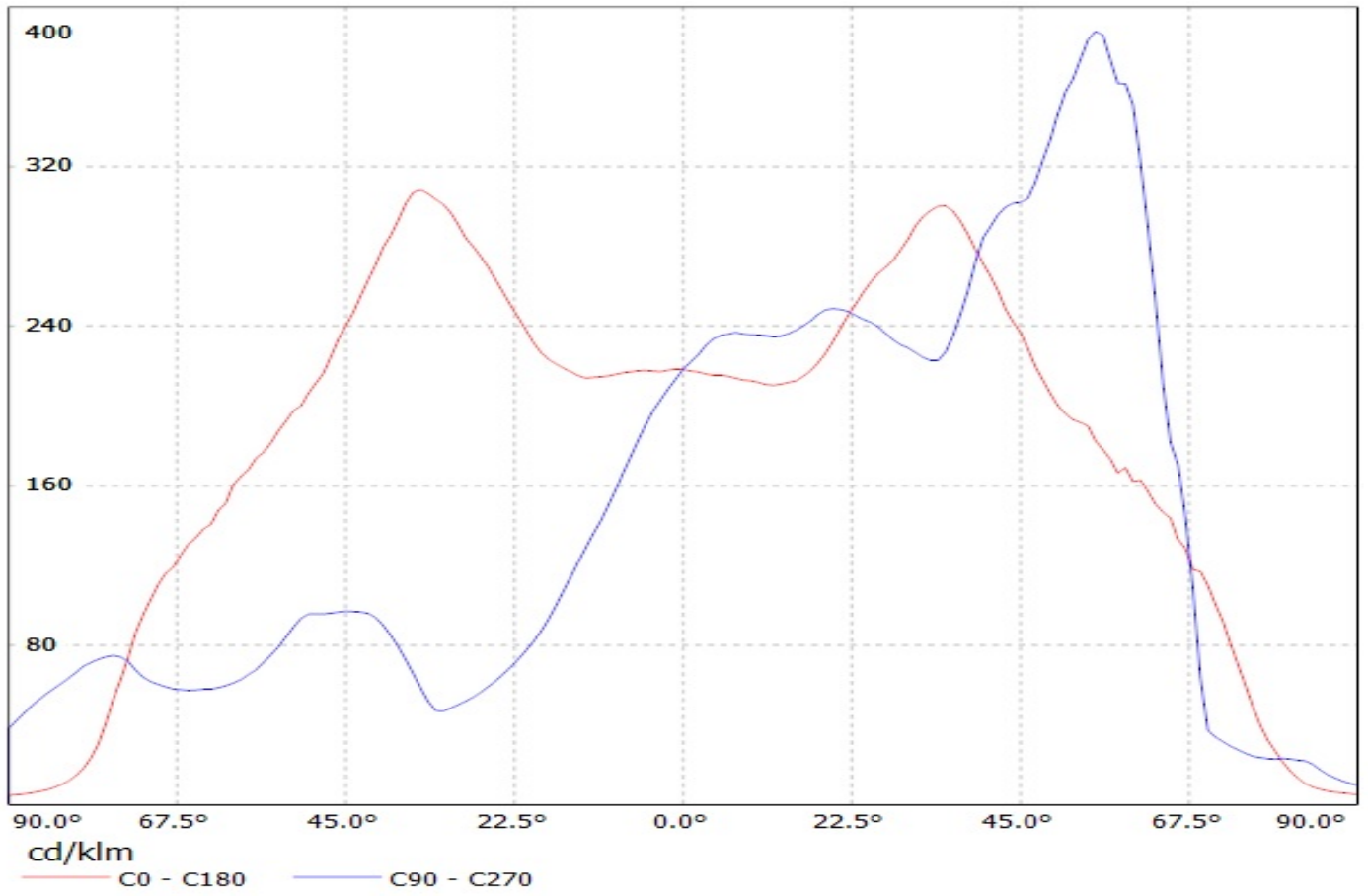
Lamps: 1 x CREE\_XHP50\_cool\_white\_246.221lm@250mA\_P=1.42945W\_I=249.9mA



Luminaire: LEDiL Oy STRADA-SQ-T4\_(LuxM)  
Lamps: 1 x Luxeon M LXR7-SW30 355lm@250mA P:2.8W



Luminaire: LEDiL Oy CA14032\_STRADA-SQ-T4\_(Luxeon\_MZ) Eff: 93%  
Lamps: 1 x Luxeon\_MZ\_263.325lm@250mA\_P=2.7414W\_I=249.9mA

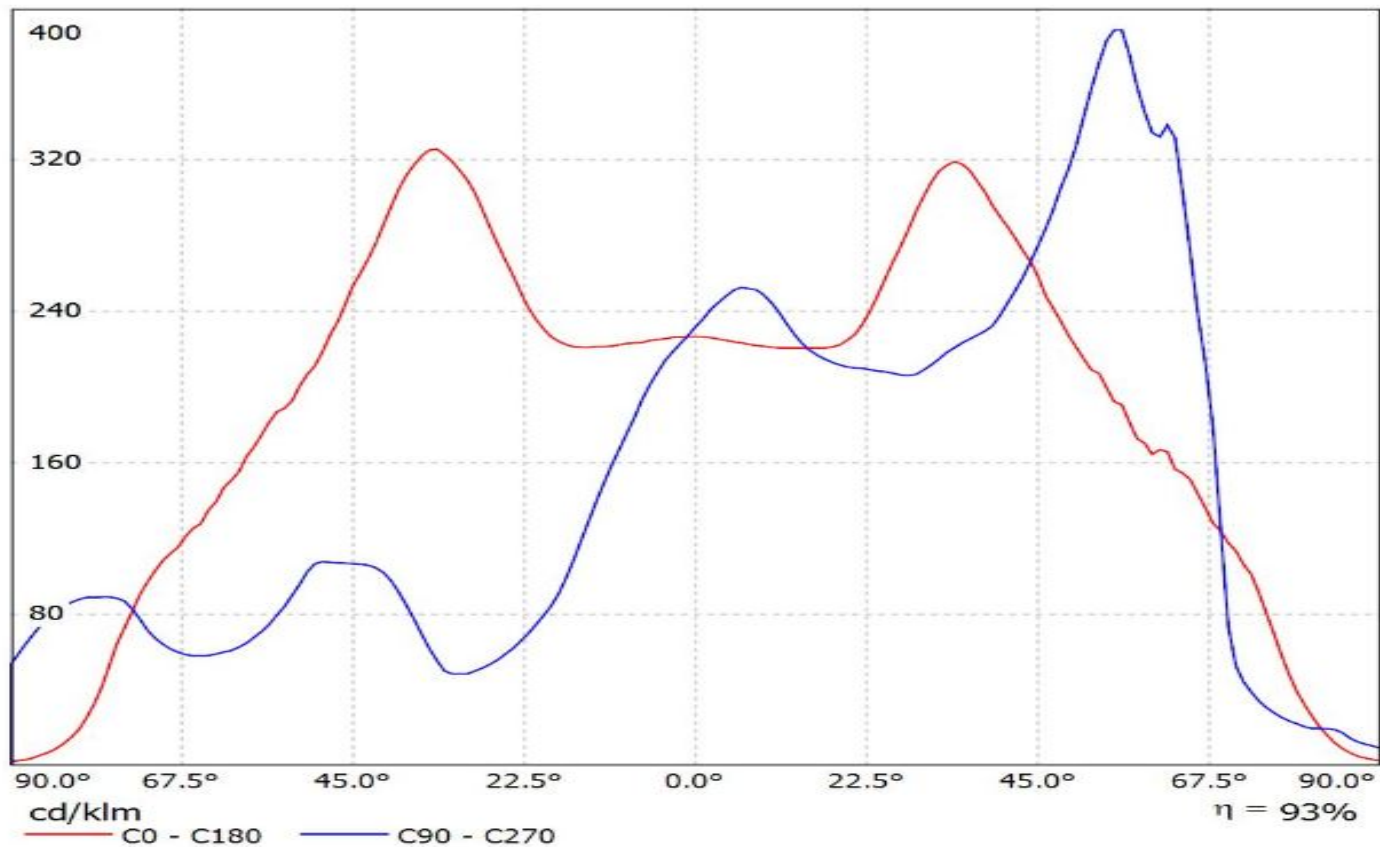




# Ledil CA14032\_STRADA-SQ-T4\_(Luxeon\_TX) / LDC (Linear)

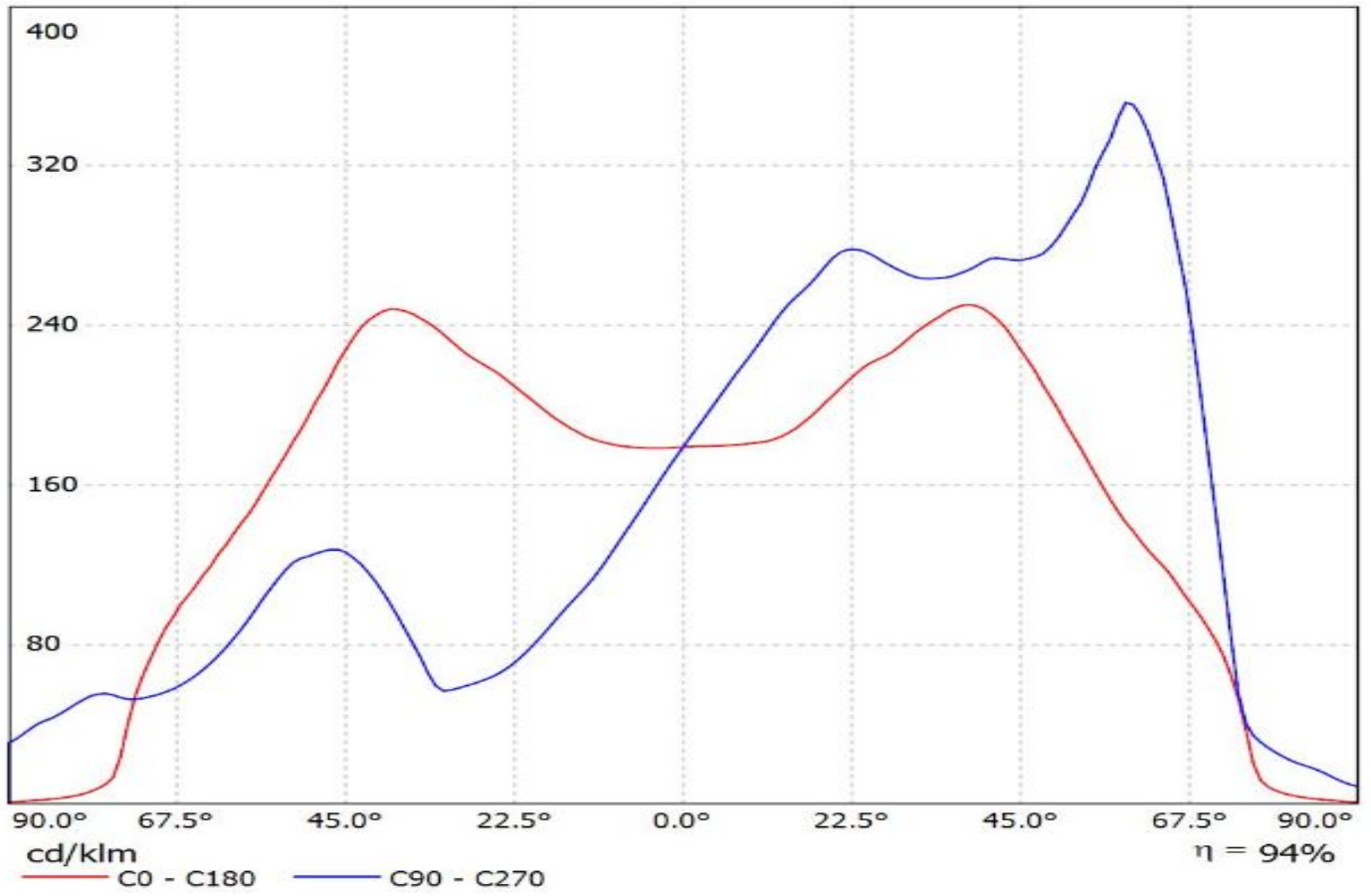
Luminaire: Ledil CA14032\_STRADA-SQ-T4\_(Luxeon\_TX)

Lamps: 1 x Luxeon\_TX\_(L1T2-3585)\_83.3206lm@250mA\_CCT=3554K\_P=0.74W\_I=0.25A

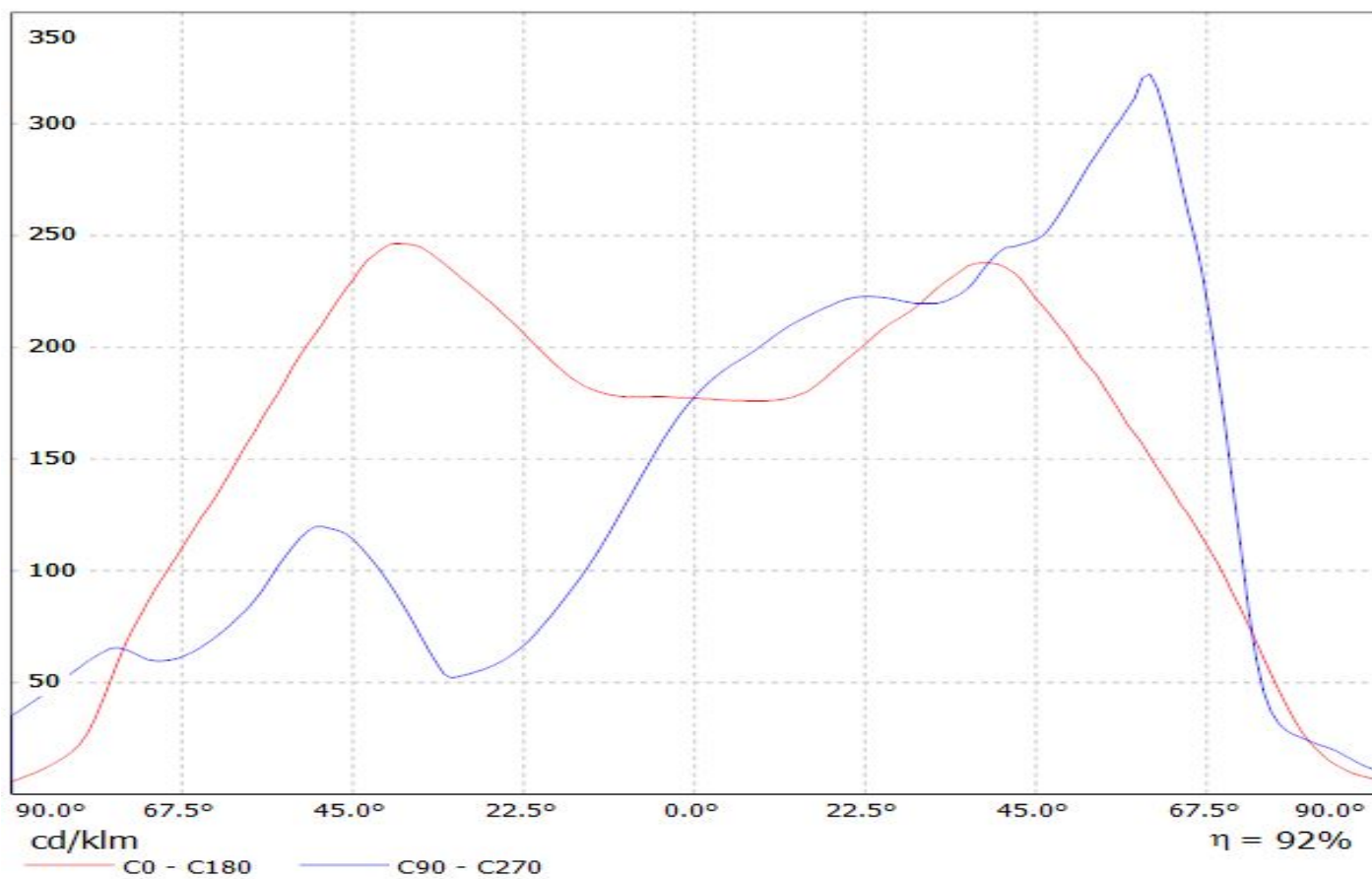


Luminaire: Ledil CA14032\_STRADA-SQ-T4\_(LUXEON\_XR-M\_Linear\_1x4)

Lamps: 1 x Lumiled\_LUXEON\_XR-M\_Linear\_1x4\_1798.32lm@250mA\_P=11.005W\_I=0.25A

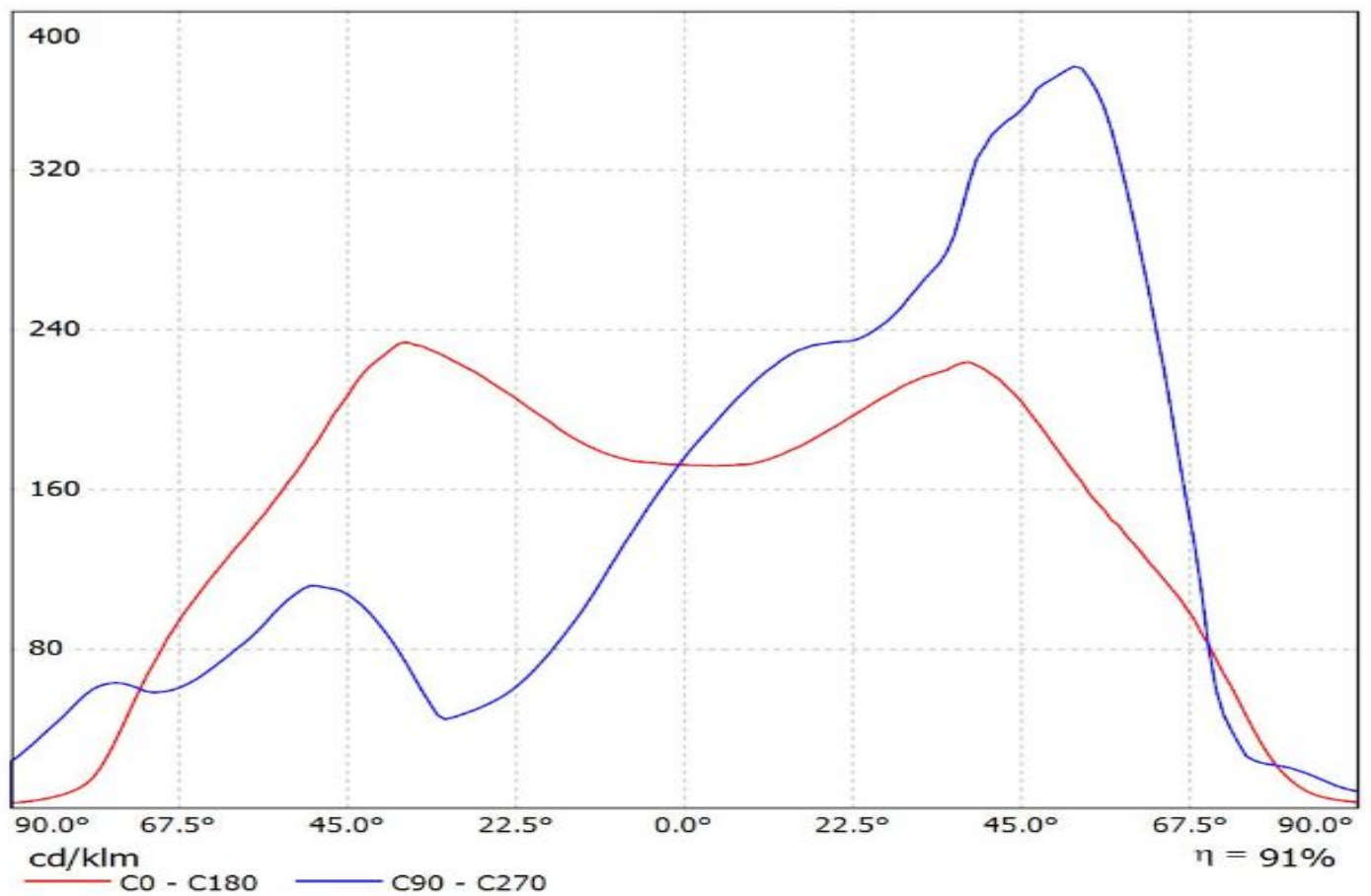


Luminaire: LEDiL Oy CA14032\_STRADA-SQ-T4\_(NV4x144A)  
Lamps: 1 x Nichia\_NV4x144A\_477.901lm@250mA\_P=2.8042W\_I=0.250A

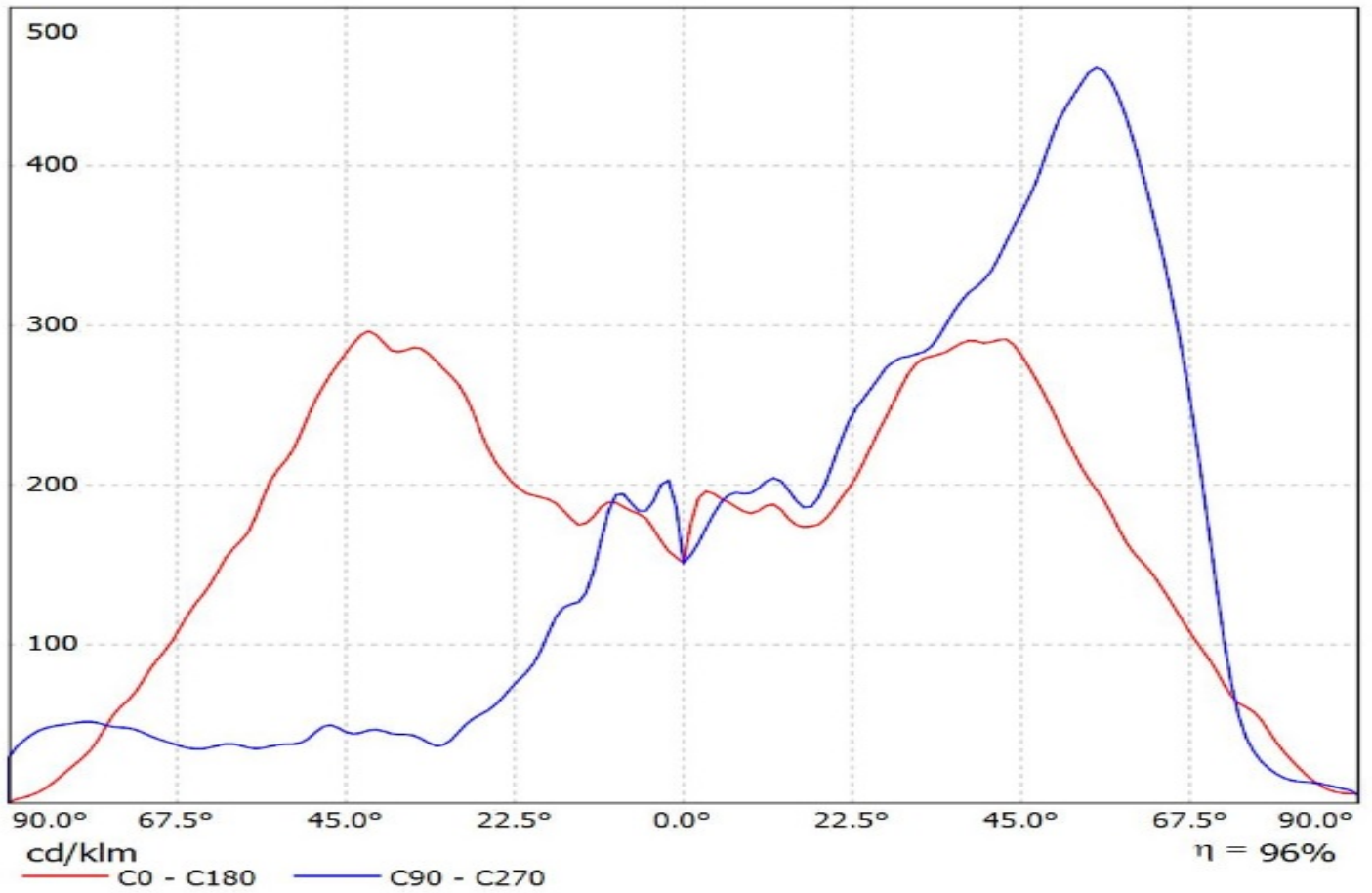


Luminaire: Ledil CA14032\_STRADA-SQ-T4\_(Duris\_S10)

Lamps: 1 x Osram\_Duris\_S10\_(GW-P7LP32.EM)\_999.98lm@250mA\_P=9.2345W\_I=0.25A

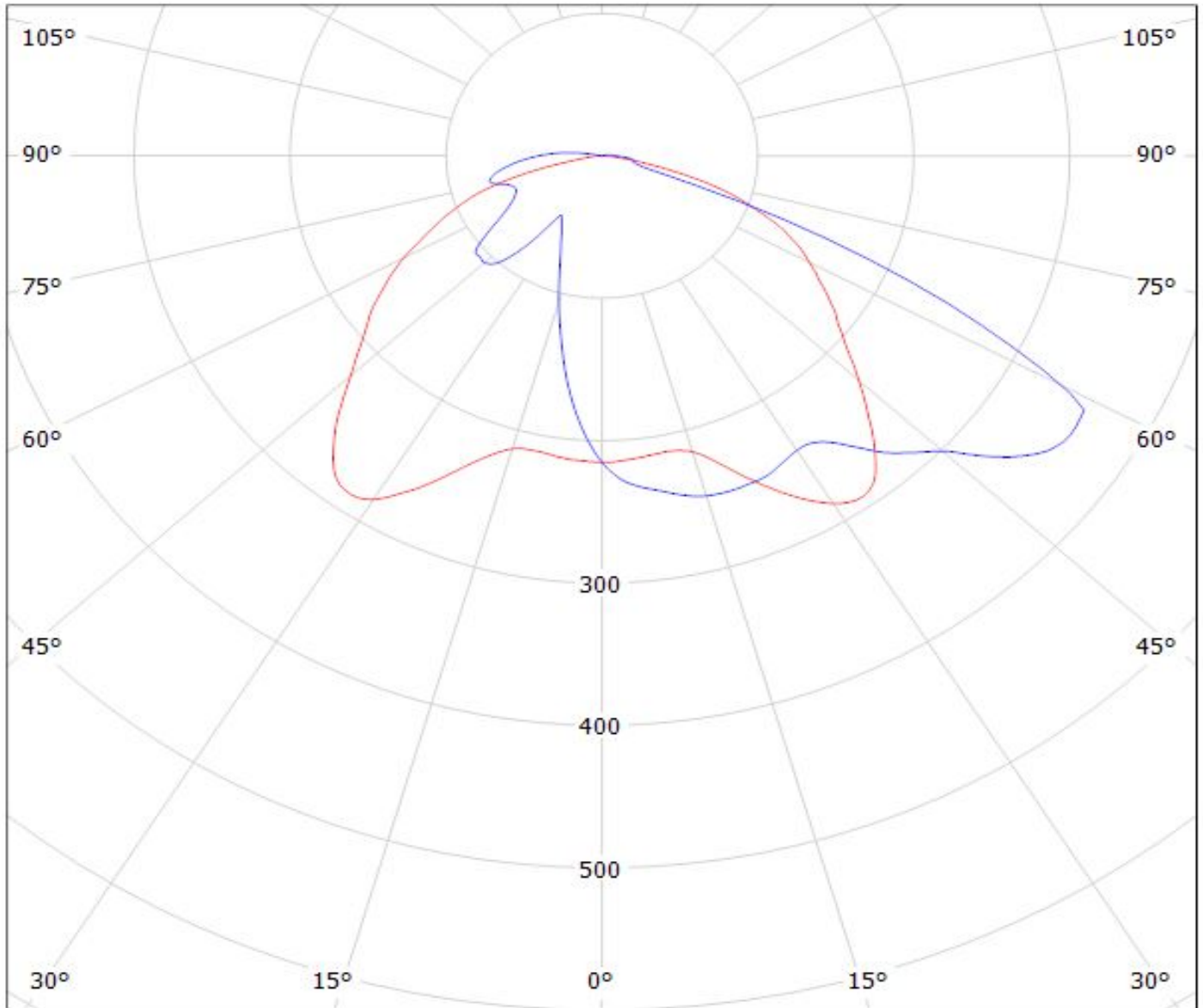


Luminaire: Ledil Oy CA14032\_STRADA-SQ-T4\_(Duris\_P8)\_SIMULATED  
Lamps: 1 x Osram Duris P8 (GW PUSRA1.PM)



Luminaire: LEDiL Oy CA14032\_STRADA-SQ-T4\_(PSL440)

Lamps: 1 x Citizen\_PSL440\_256.95lm@250mA\_P=2.8697W\_I=0.250A



cd/klm

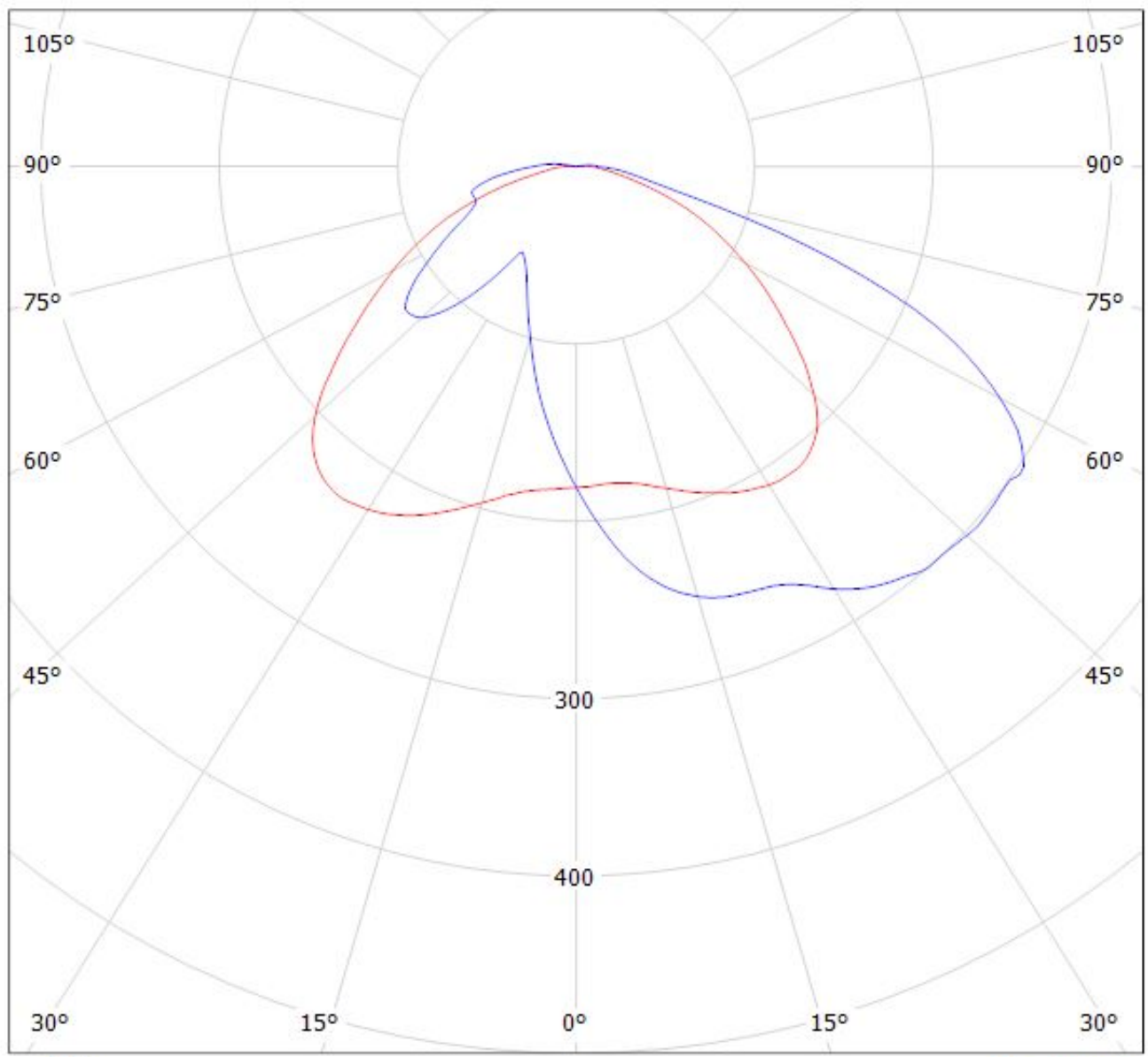
$\eta = 93\%$

— C0 - C180

— C90 - C270

Luminaire: LEDiL Oy CA14032\_STRADA-SQ-T4\_(PSL445)

Lamps: 1 x Citizen\_PSL445\_424.116lm@250mA\_P=2.81625W\_I=0.250A\_CCT=2700K



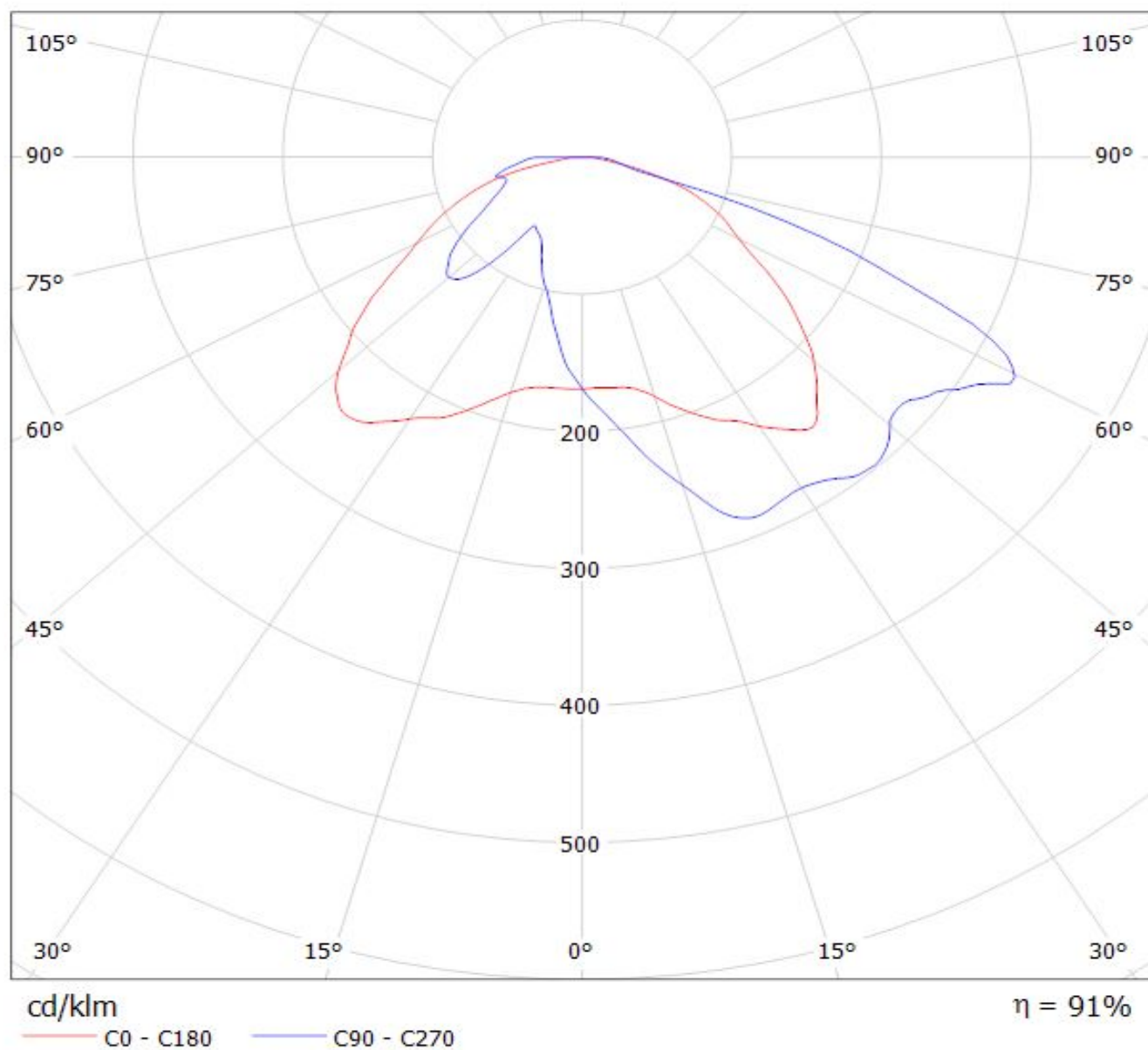
cd/klm

— C0 - C180    — C90 - C270

$\eta = 92\%$

Luminaire: LEDiL Oy STRADA-SQ-T4\_(MK-R)

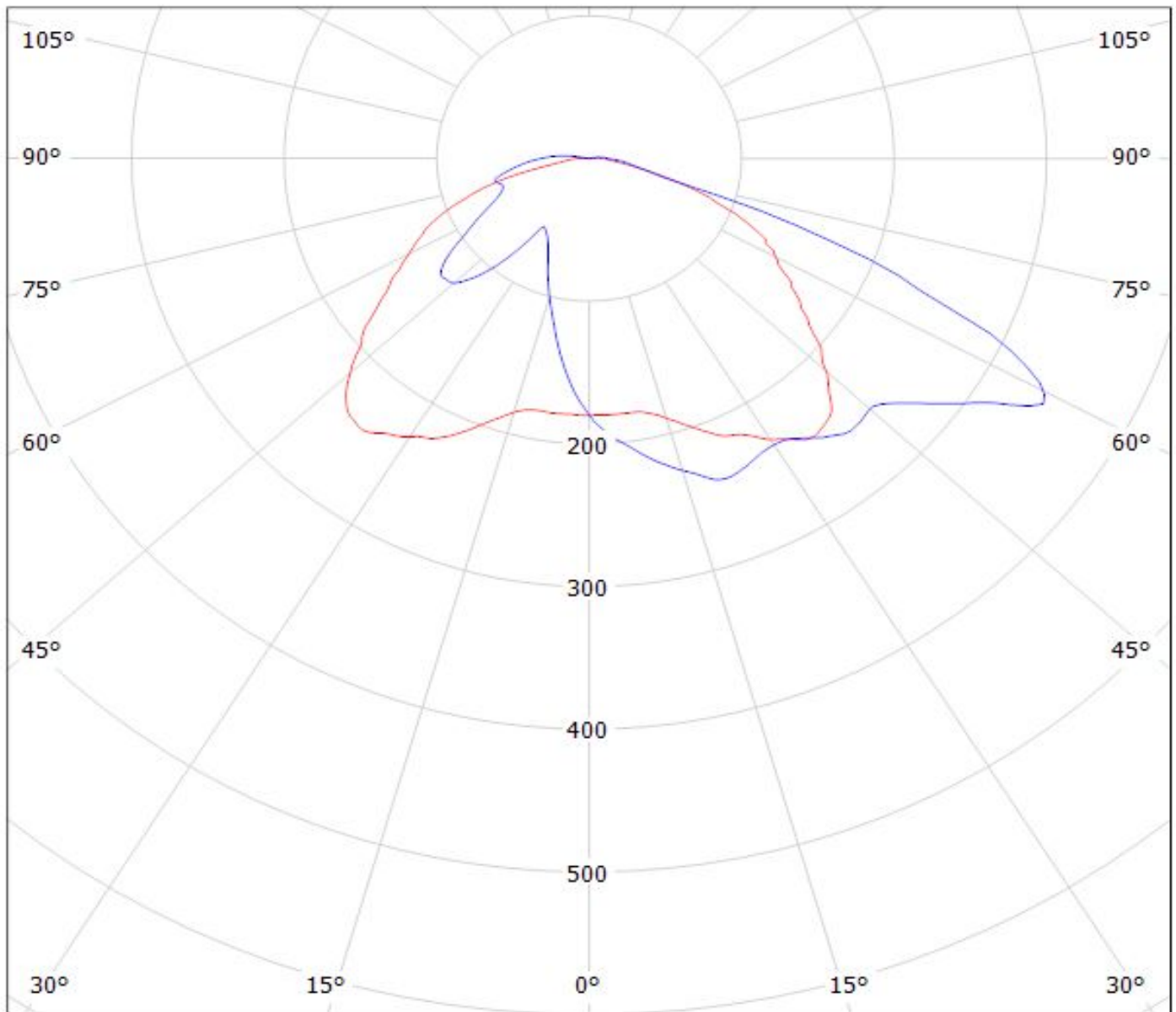
Lamps: 1 x CREE\_MK-R\_356.736lm@250mA\_P=2.83786W\_I=249.9mA





Luminaire: LEDiL Oy CA14032\_STRADA-SQ-T4\_(XHP50\_cool\_white)

Lamps: 1 x CREE\_XHP50\_cool\_white\_246.221lm@250mA\_P=1.42945W\_I=249.9mA



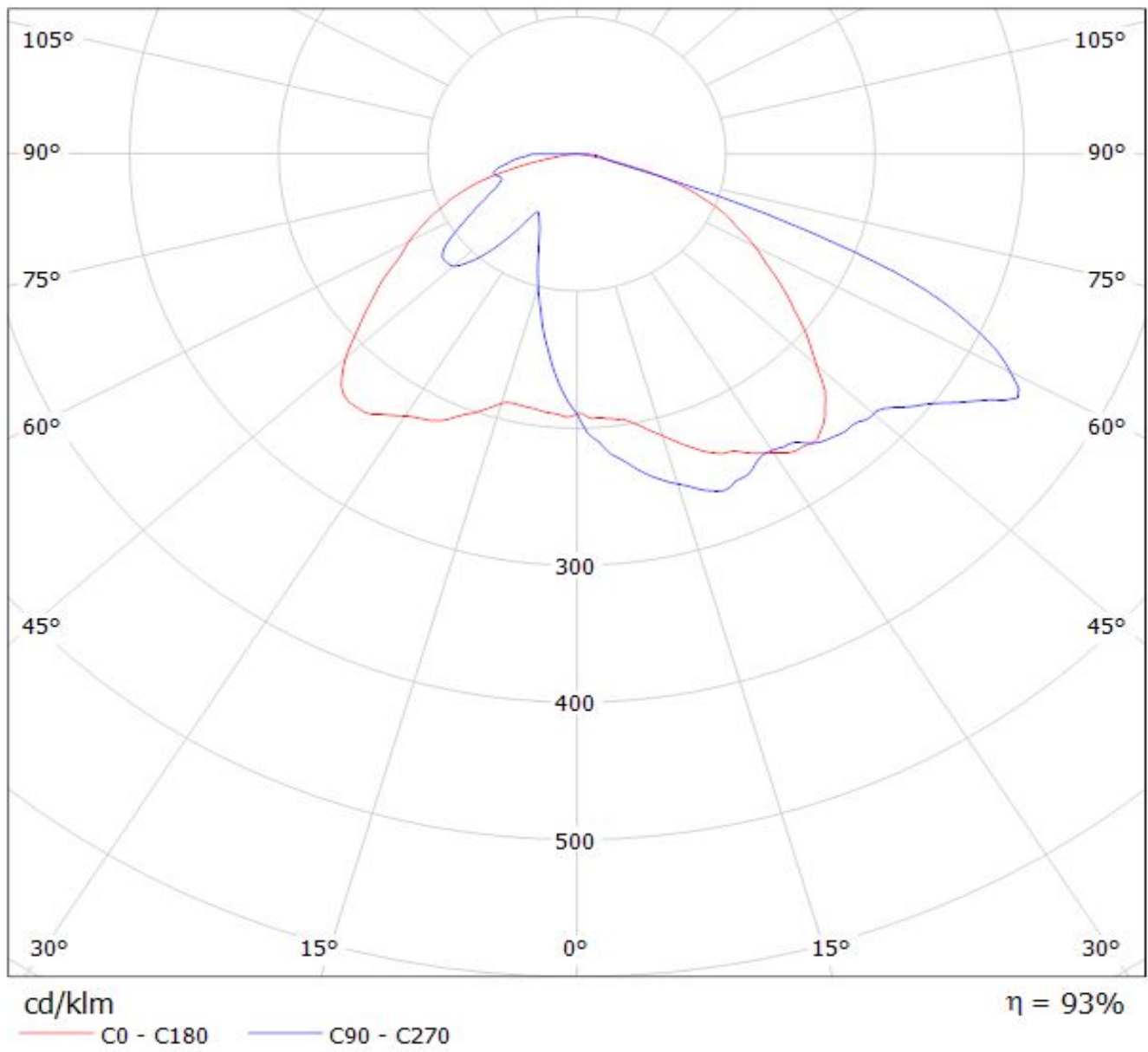
cd/klm

$\eta = 93\%$

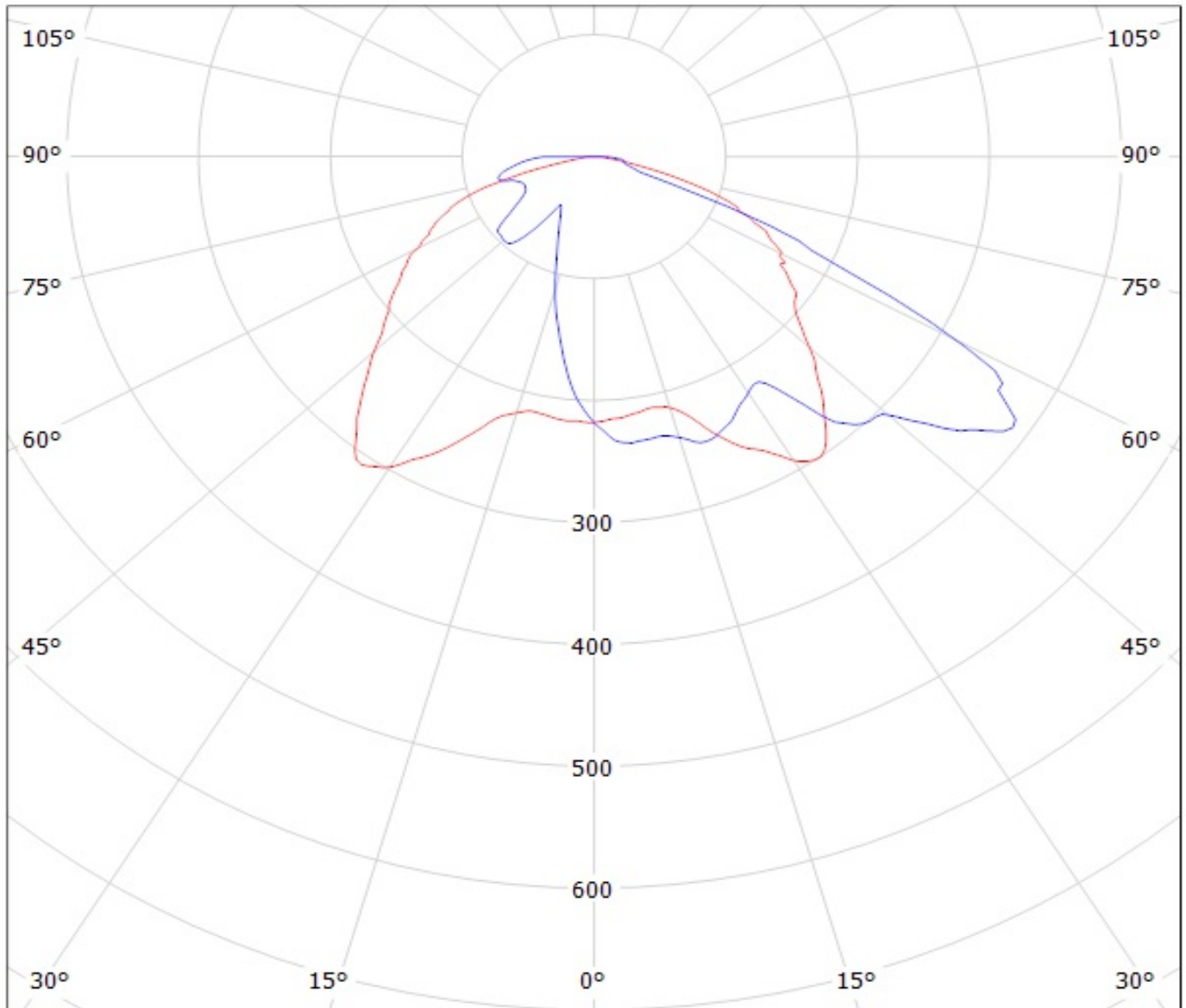
— C0 - C180

— C90 - C270

Luminaire: LEDiL Oy STRADA-SQ-T4\_(LuxM)  
Lamps: 1 x Luxeon M LXR7-SW30 355lm@250mA P:2.8W



Luminaire: LEDiL Oy CA14032\_STRADA-SQ-T4\_(Luxeon\_MZ) Eff: 93%  
Lamps: 1 x Luxeon\_MZ\_263.325lm@250mA\_P=2.7414W\_I=249.9mA

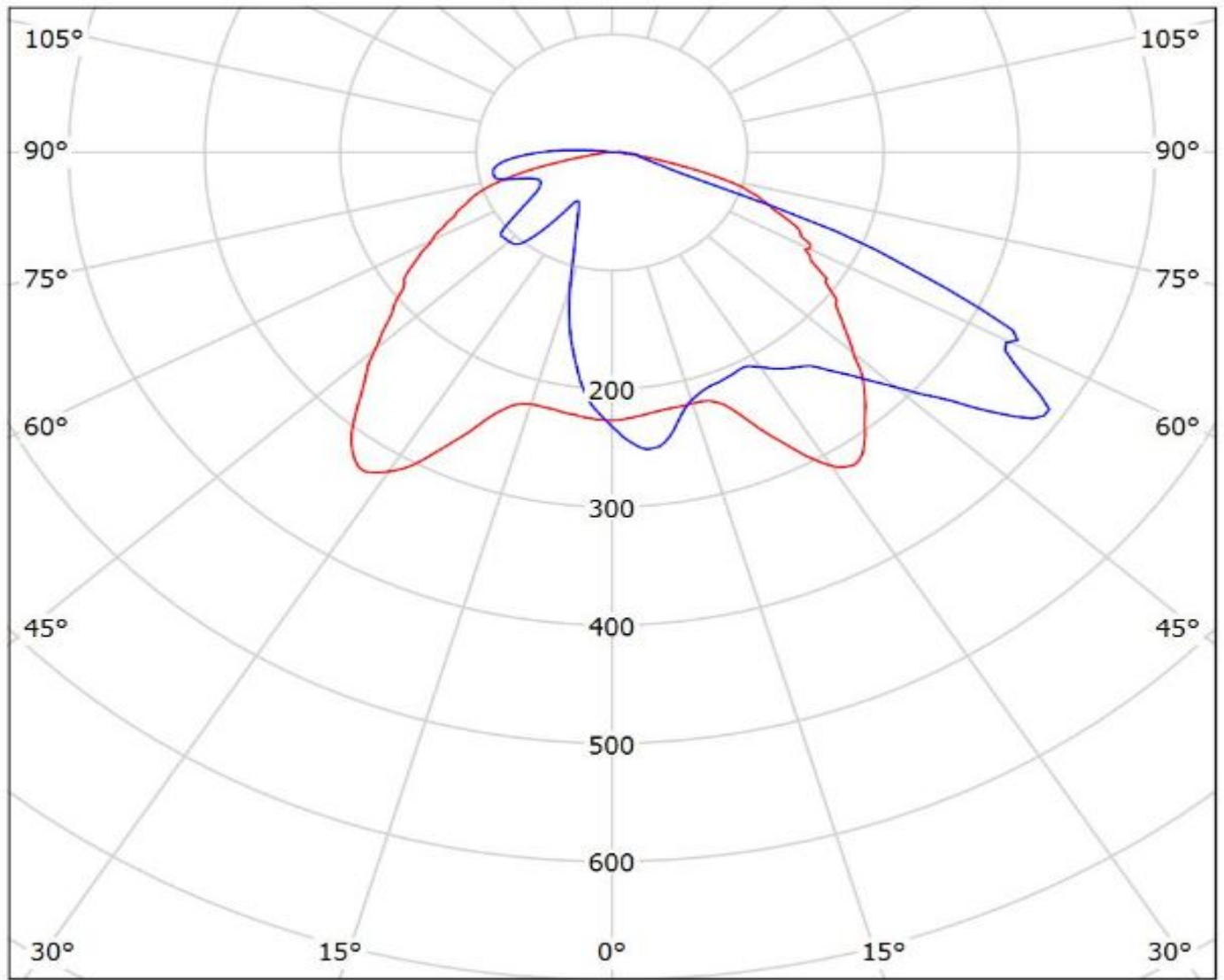


cd/klm  
— C0 - C180    — C90 - C270

# Ledil CA14032\_STRADA-SQ-T4\_(Luxeon\_TX) / LDC (Polar)

Luminaire: Ledil CA14032\_STRADA-SQ-T4\_(Luxeon\_TX)

Lamps: 1 x Luxeon\_TX\_(L1T2-3585)\_83.3206lm@250mA\_CCT=3554K\_P=0.74W\_I=0.25A



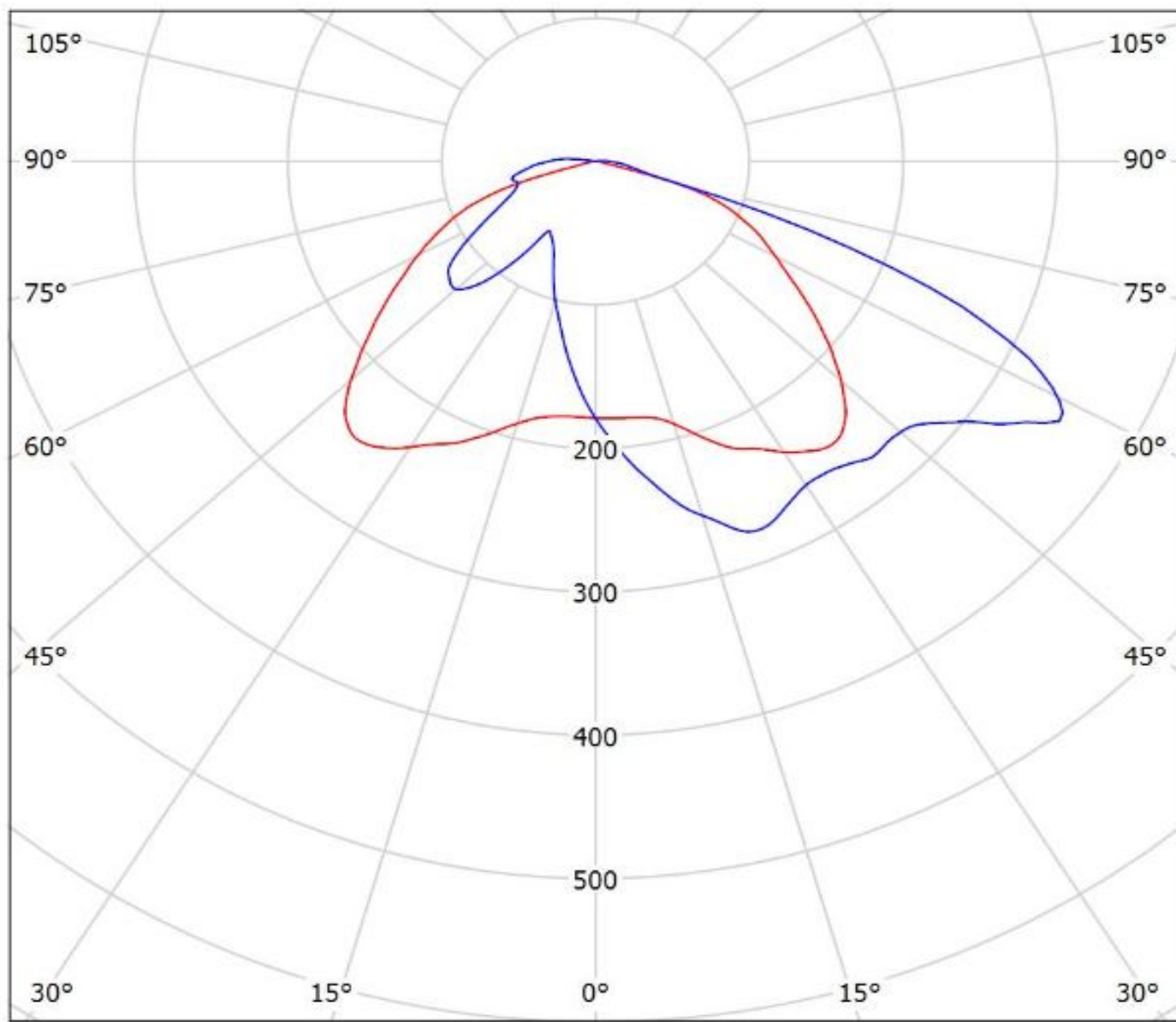
cd/klm

— C0 - C180 — C90 - C270

$\eta = 93\%$

Luminaire: Ledil CA14032\_STRADA-SQ-T4\_(LUXEON\_XR-M\_Linear\_1x4)

Lamps: 1 x Lumiled\_LUXEON\_XR-M\_Linear\_1x4\_1798.32lm@250mA\_P=11.005W\_I=0.25A

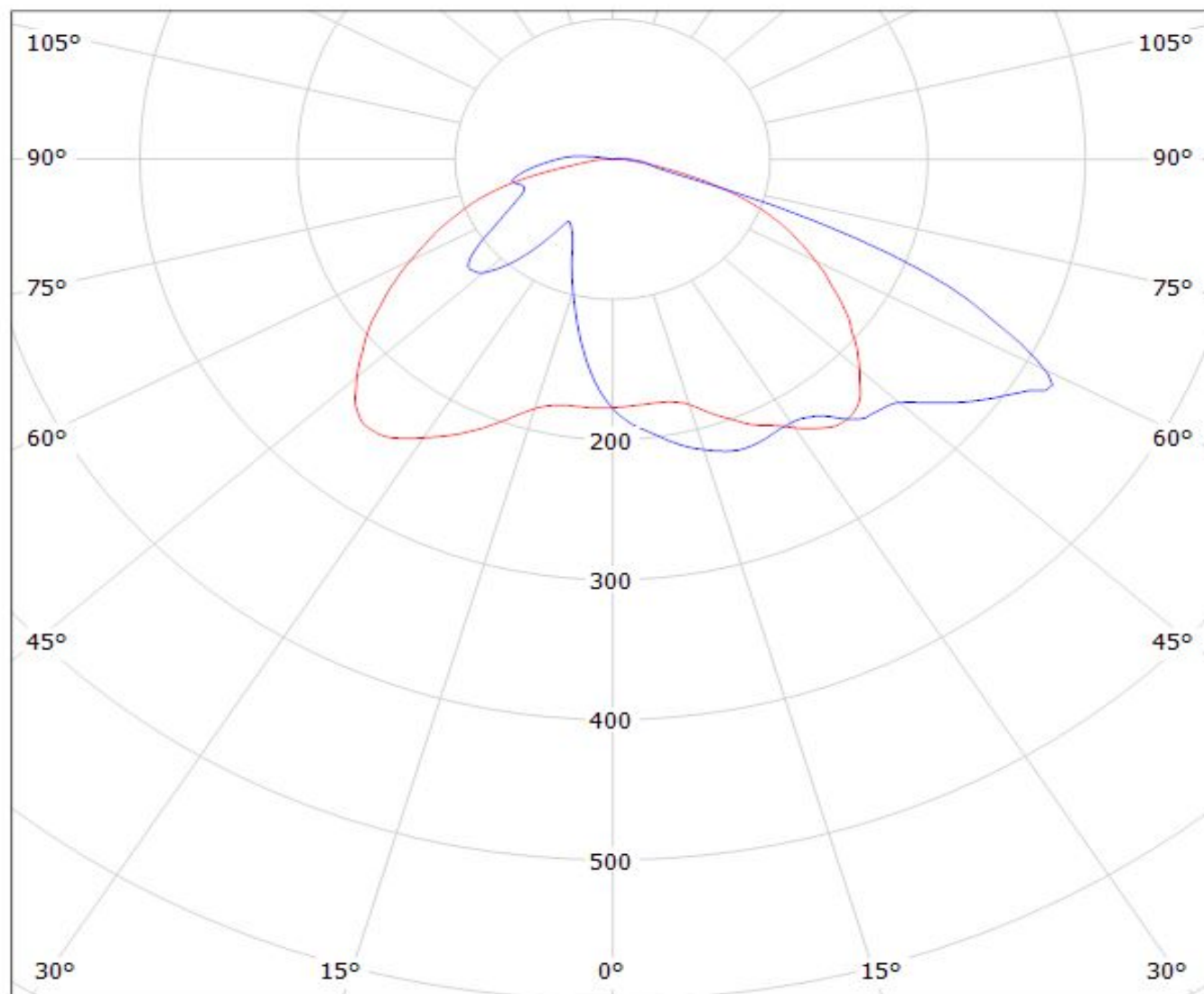


cd/klm

— C0 - C180 — C90 - C270

$\eta = 94\%$

Luminaire: LEDiL Oy CA14032\_STRADA-SQ-T4\_(NV4x144A)  
Lamps: 1 x Nichia\_NV4x144A\_477.901lm@250mA\_P=2.8042W\_I=0.250A



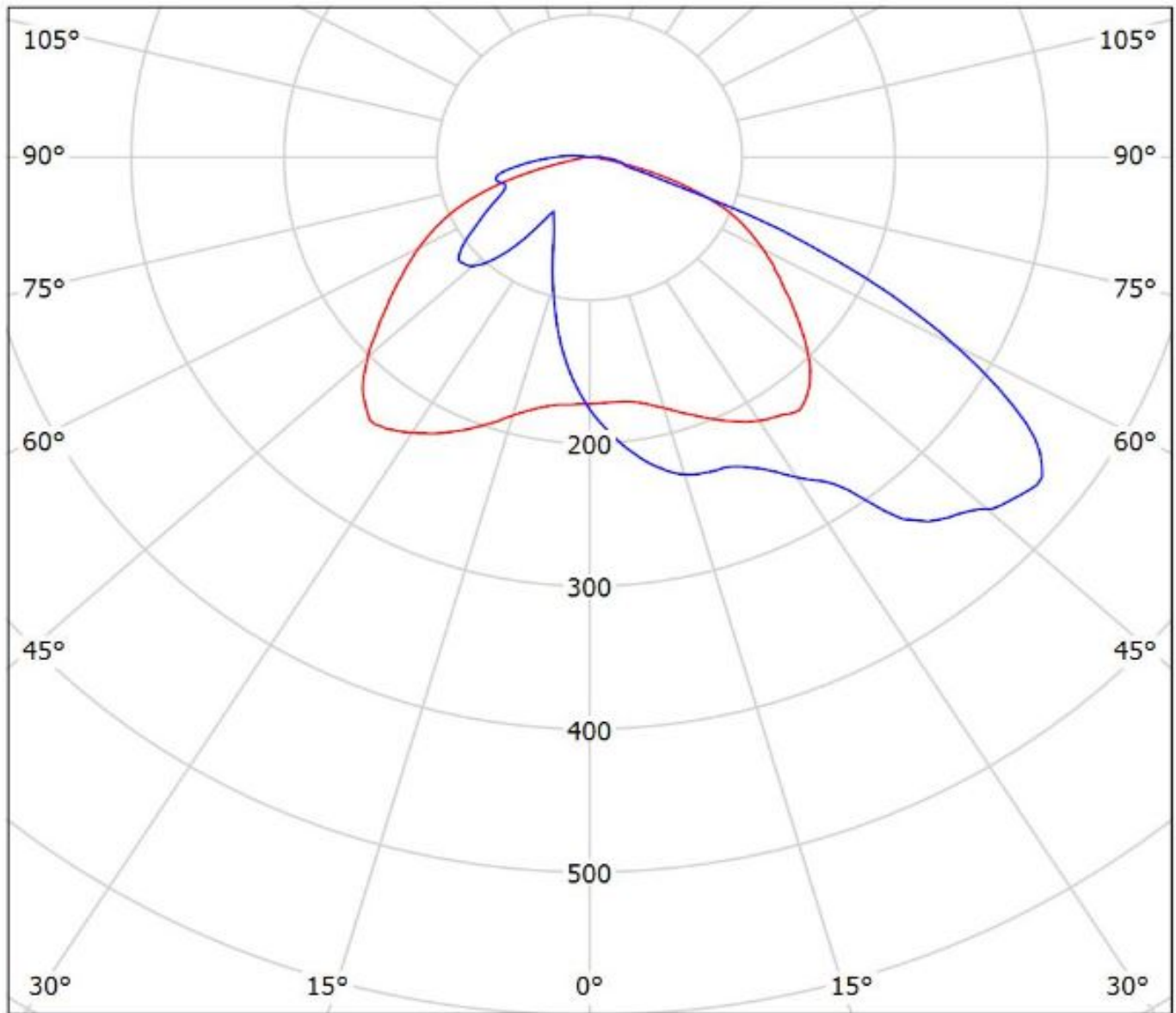
cd/klm

— C0 - C180    — C90 - C270

$\eta = 92\%$

Luminaire: Ledil CA14032\_STRADA-SQ-T4\_(Duris\_S10)

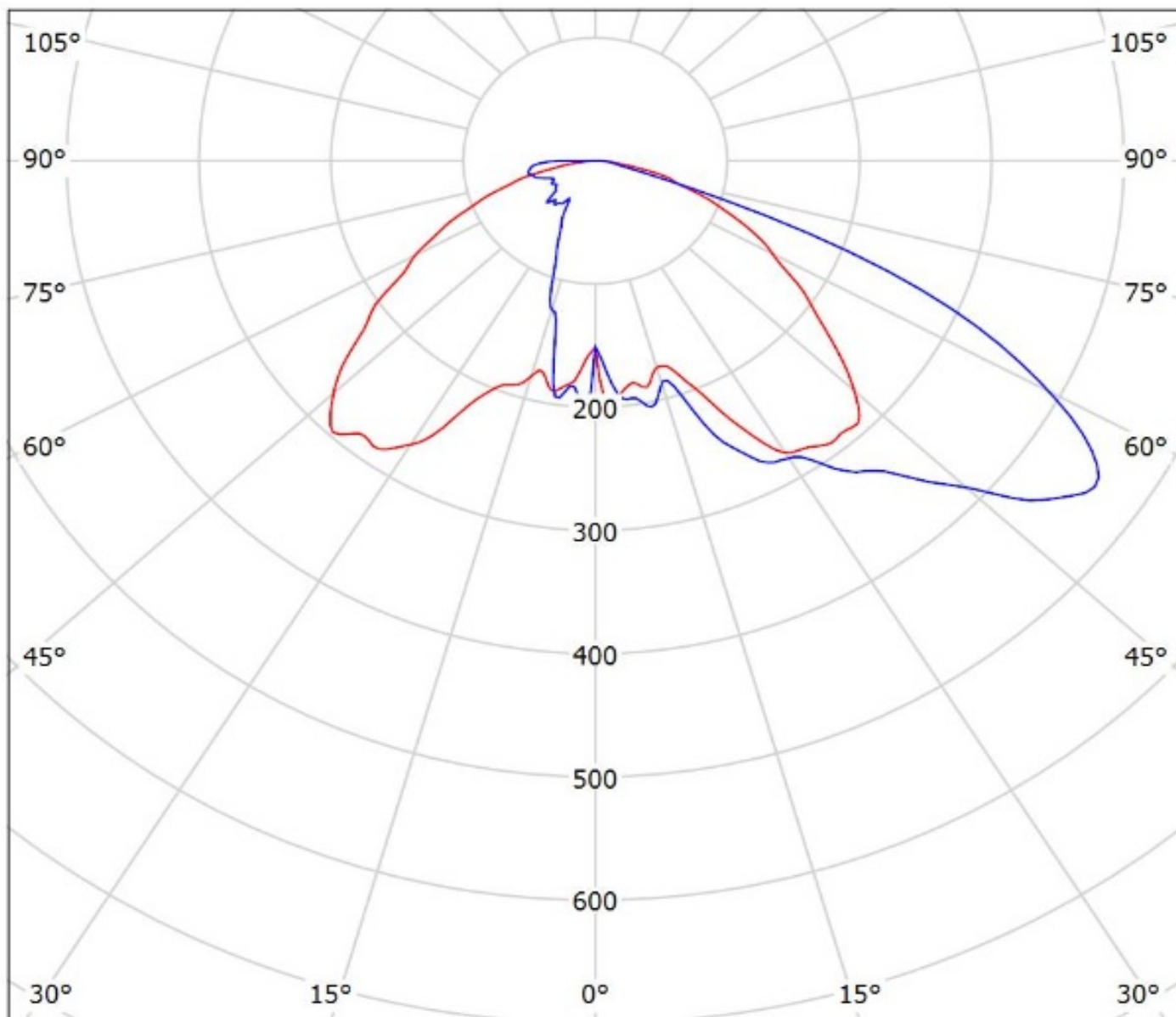
Lamps: 1 x Osram\_Duris\_S10\_(GW-P7LP32.EM)\_999.98lm@250mA\_P=9.2345W\_I=0.25A



cd/klm  
— C0 - C180 — C90 - C270

$\eta = 91\%$

Luminaire: Ledil Oy CA14032\_STRADA-SQ-T4\_(Duris\_P8)\_SIMULATED  
Lamps: 1 x Osram Duris P8 (GW PUSRA1.PM)



cd/klm

— C0 - C180 — C90 - C270

$\eta = 96\%$



**NOTE: The typical divergence will be changed by different color, chip size and chip position tolerance. The typical total divergence is the full angle measured where the luminous intensity is half of the peak value.**