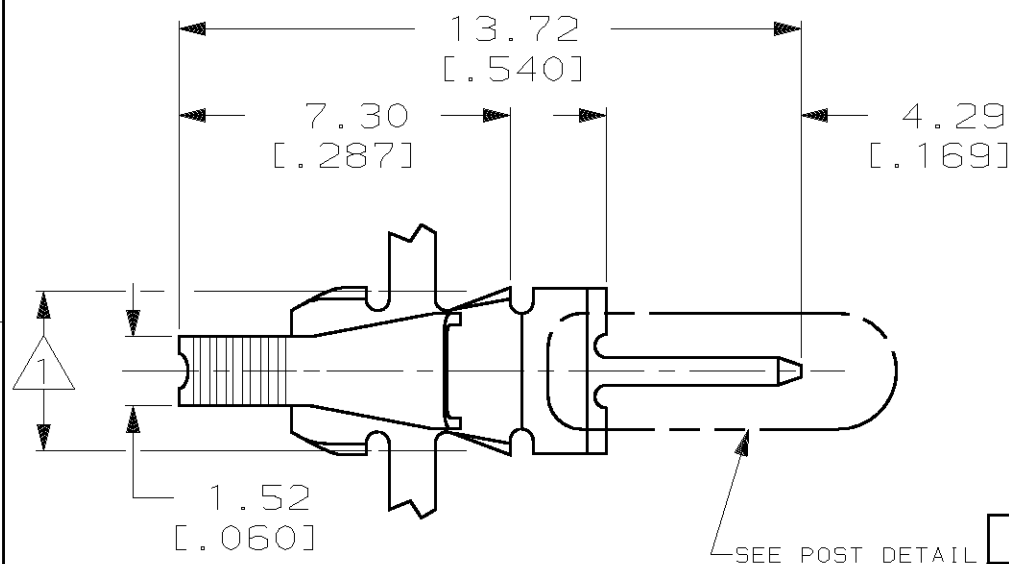


THIS DRAWING IS UNPUBLISHED. RELEASED FOR PUBLICATION, 19 .
 © COPYRIGHT 19 BY AMP INCORPORATED. ALL INTERNATIONAL RIGHTS RESERVED.

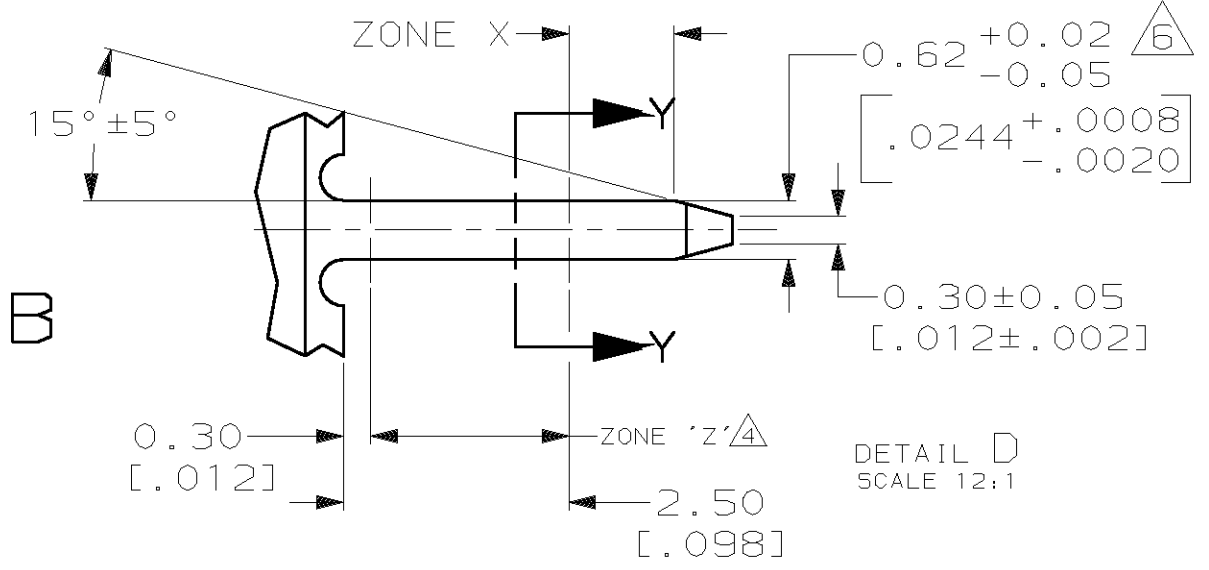
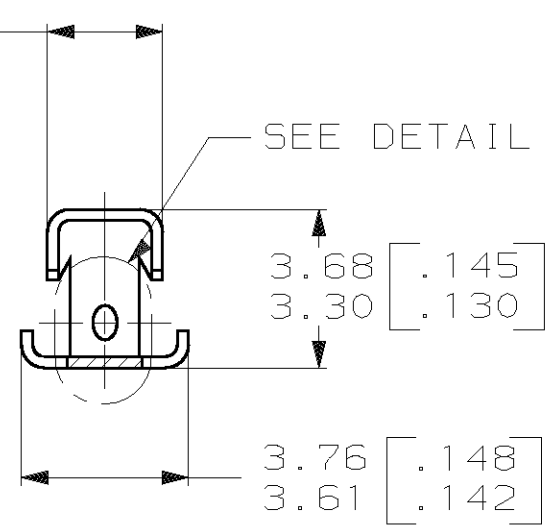
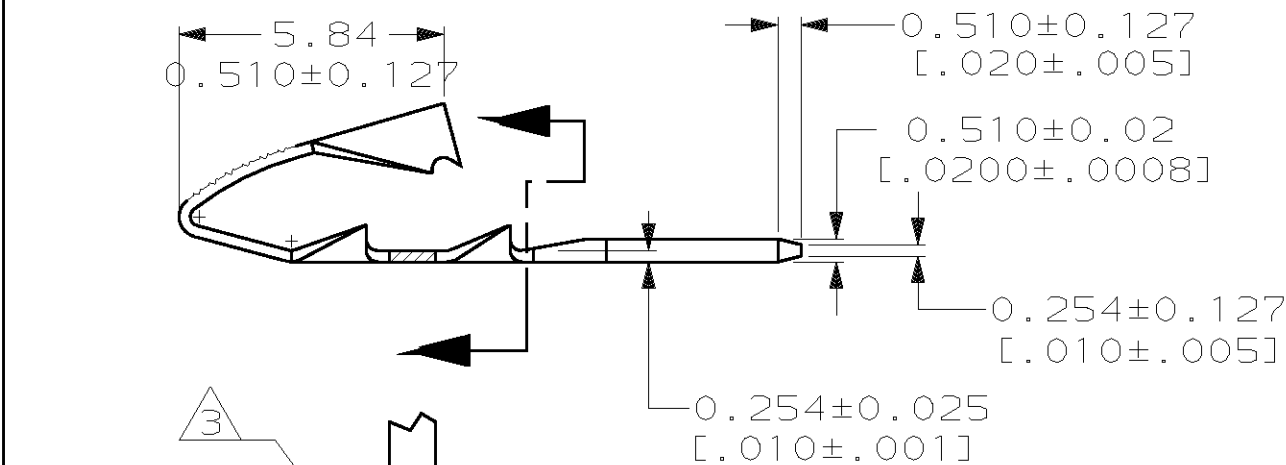
LOC	DIST	P	F	REVISIONS				
AF	50			ZONE	LTR	DESCRIPTION	DATE	APPD
				L		REL PER 063A-0250-02	15MAY02	JR/KR



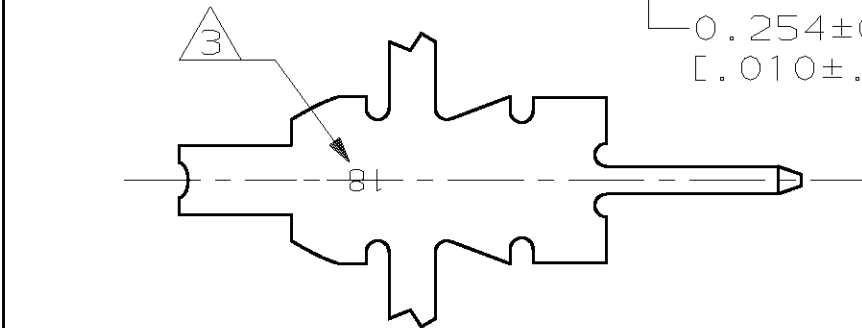
4 DIMENSIONS OF SECTION Y-Y APPLY IN ZONE Z ONLY.

6 DIMENSION APPLIES IN ZONE X ONLY.

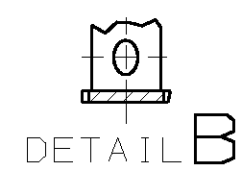
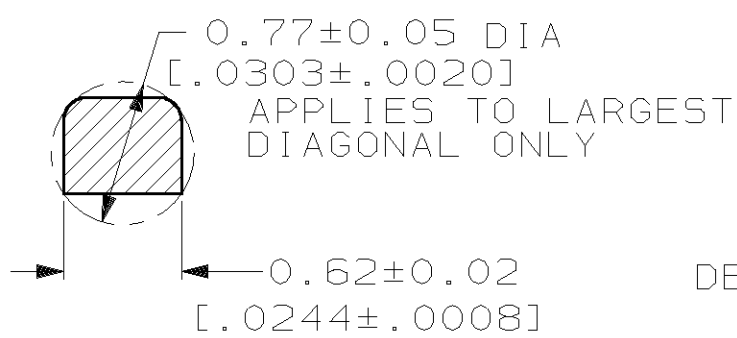
- 1 3.78±0.13 [.149±.005] APPLICATOR CUT-OFF.
- 2 CONTINUOUS STRIP ON REELS WITH TERMINALS LOCATED ON 6.10±0.08 [.240±.003] CENTERS.
- 3 IDENTIFICATION NUMBER 18 FOR MAGNET WIRE RANGE.



DETAIL D SCALE 12:1



	0.10-0.25mm [#38-#30] AWG	H04 PRE-MILLED PHOS. BRONZE	63675-4
OBSOLETE	0.10-0.25mm [#38-#30] AWG	H04 PRE-MILLED PHOS. BRONZE	63675-3
OBSOLETE	0.10-0.25mm [#38-#30] AWG	H04 PRE-MILLED PHOS. BRONZE	63675-2
OBSOLETE	0.10-0.25mm [#38-#30] AWG	H02 PRE-MILLED BRASS	63675-1
	MAGNET WIRE RANGE	MATERIAL	PART NO



THIS DRAWING IS A CONTROLLED DOCUMENT FOR AMP INCORPORATED. IT IS SUBJECT TO CHANGE AND THE CONTROLLING ENGINEERING ORGANIZATION SHOULD BE CONTACTED FOR THE LATEST REVISION.

DO NOT SCALE PRINT. UNLESS SPECIFIED DIMENSIONS IN mm [INCHES] TOLERANCES ON: 2 PLC DEC ± 0.25 [.010] 3 PLC DEC ± - ANGLES ± 1°	DR 10/6/92 MICHAEL S. FEHER CHK 10/7/92 JEFF R. RUTH APPD 10/12/92 NELSON E. NEFF APPD 10/12/92 TERRY L. SHUTTER
MATERIAL SEE ABOVE	PRODUCT SPEC 108-2016
FINISH 0.001016 [.000040] MIN TIN PLATE	APPLICATION SPEC 114-2047
	WEIGHT -

AMP AMP Incorporated Harrisburg, PA 17105-3608		
NAME POST, 0.62 [.024] X 0.51 [.020], MINI MAG-MATE™		
SIZE B	CAGE CODE 00779	DRAWING NO C-63675
SCALE 6:1	SHEET 1 OF 1	