

# RED INDICATES ORIGINAL

DASH NO	CABLES ACCOMMODATED	A DIM	B HEX	ASSEMBLE PER
-201	M17/178-00002			
-202	TWC-78-1			
-203	TWC-124-1A	1.164	.255	TAI-143
-204	10B02, RAYCHEM			
-205	TWAC-78-1F2			
-206	782600130, RAYCHEM			
-207	B3310 BELDEN	1.289	.344	TAI-167
-208	202-3627 MICRODOT			
-209	202-3942 MICRODOT	1.164	.255	TAI-143
-210	B451 BELDEN			
-211	202-3934 MICRODOT			
-212	2524E0114, RAYCHEM			
-213	TWC-78-2	1.289	.344	TAI-144
-214	TWC-124-2			
-215	BL-982 TIMES			
-216	BL-1242 TIMES			
-217	GC875M24H, GRUMMAN			
-218	EPD 22188B, RAYCHEM			
-219	2526D1114, RAYCHEM			
-220	GC875R1, GRUMMAN	1.164	.255	TAI-143
-221	10B14, RAYCHEM			
-222	10B13, RAYCHEM			
-223	HMS2-1149, HUGHES			
-224	TWCP-124-3	1.289	.344	TAI-144
-225	PS865PL, PRIME STOCK			

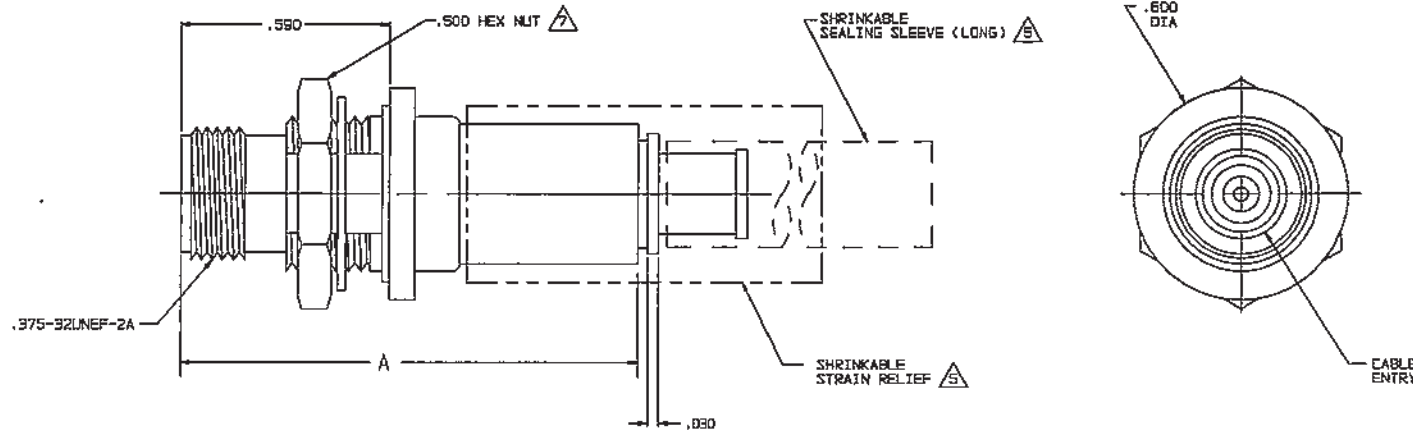
DATA CONTAINED IN THIS DOCUMENT IS PROPRIETARY TO TROMPETER ELECTRONICS, INC. AND SHALL NOT BE DISCLOSED, COPIED OR USED FOR REPRODUCTION OR MANUFACTURE WITHOUT EXPRESS WRITTEN PERMISSION.

REV		ED	DESCRIPTION	OWN	APPROVED	DATE
L	12300	ADDED	-224 & -225; SEE ECD	DBN	JAM	7/11/88

REVISIONS  
3-0234 SH 1

DASH NO	CABLES ACCOMMODATED	A DIM	B HEX	ASSEMBLE PER
-301	GC875GC1, GRUMMAN			
-302	GC875GB1, GRUMMAN SD22ES111, RAYCHEM	1.164	.255	TAI-157
-303	752BA5314, RAYCHEM			
-304				
-305	M17/177-00001/285-3804 MICRODOT			
-306				
-307	TRC-50-2 M17/134-00002	1.289	.344	TAI-173
-308				
-309	TRC-75-1 TRC-75-2 TRC-50-1	1.164	.255	TAI-157

INCH	MM
.005	0.13
.030	0.76
.125	3.18
.187	4.75
.190	4.83
.255	6.48
.344	8.74
.438	11.15
.443	11.25
.500	12.70
.590	14.99
.600	15.24
1.00	25.40
1.164	29.57
1.25	31.25
1.289	32.74
1.75	44.45

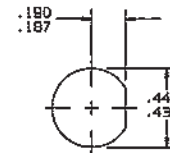


-207 SHOWN

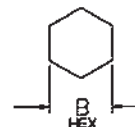
- 1 SHRINKABLE STRAIN RELIEF AND/OR SHRINKABLE SEALING SLEEVE SUPPLIED LOOSE AS FOLLOWS:
- CABLE GROUPS -207, -210 & -307:
    - 1 SHRINKABLE STRAIN RELIEF (1.00 LONG)
    - 1 SHRINKABLE SEALING SLEEVE (1.25 LONG)
  - CABLE GROUPS -201 THROUGH -206, -208, -209, -217 THROUGH -223, -301, -302, -303 & -309:
    - 1 SHRINKABLE SEALING SLEEVE (1.25 LONG)
  - CABLE GROUPS -211 THROUGH -216, -305, -306 & -308:
    - 1 SHRINKABLE STRAIN RELIEF (1.75 LONG)
4. MAX PANEL THK .125
3. THREADED SUBMINIATURE CONCENTRIC, TRIAX, (4 PIECE ASSY) AND TRIAX (6 PIECE ASSY) FULL CRIMP NONINSULATED BULKHEAD MOUNT RECEPTACLE
2. FINISH: TFS-1A (NICKEL)
1. ALL DIMENSIONS ARE IN INCHES

IF SAFETY WIRE TYPE REQUIRED ADD SUFFIX "S" TO MODEL NO (SAFETY WIRE NUT SIZE WILL BE .584)

EXAMPLE OF COMPLETE MODEL NO:  
 BASIC MODEL NO. BJJ3159AC S -201  
 CABLE GROUP DASH NO  
 SUFFIX "S" FOR SAFETY WIRE



RECOMMENDED  
 PANEL CUTOUT  
 SCALE: NONE



RECOMMENDED  
 HEX CRIMP  
 SCALE: NONE

QTY	DESCRIPTION	PART NUMBER	ITEM
TOL UNLESS SPECIFIED .001 ±.03 .002 ±.005 .0005G ANGLES	<b>TROMPETER</b> RF connectivity	BJJ3159AC/ BJJ3159ACS	
OWN DBN 4/1/88	MATERIAL	CODE IDENT	DRAWING NO.
CHK JAM 4-17-88	14949		3-0234
ENGR:	APPR: JAM	SCALE 4/1	DATE 5-31-85
NEXT ASSY	SCALE 4/1	DATE 5-31-85	SHEET 1 OF 2