

6

5

4

3

2

1

SPECIFICATIONS:

1.Material:

- (1).Body: PA66,UL94V-0
- (2).Nut: M2.5, Brass, Zn plated
- (3).Contact: Brass, Tin plated
- (4).Fixed bolt: PA66,UL94V-0

2.Wire range: 12 - 24 AWG

3.Electrical rating: 300V,10A.

4.Dielectric withstand: AC 2500V for 1 minute.

5.Insulation resistance: DC 500V,500MΩ.

6.Breakdown voltage: 4000V.

7.Operating temperature: -40? to 105?.

8.Available positions number is from 2 to 16.

P=Center to Center Spacing  
=5.08(.200)

N=No of Positions

L=N x P

Dimension: mm

E

E

D

D

C

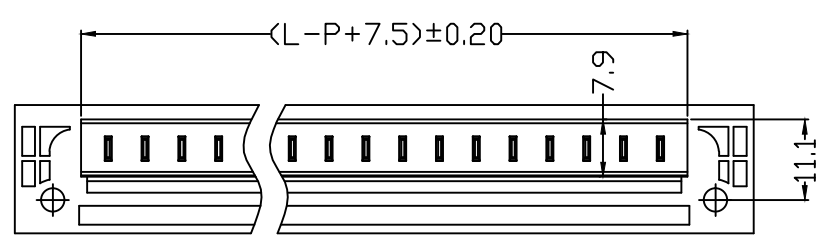
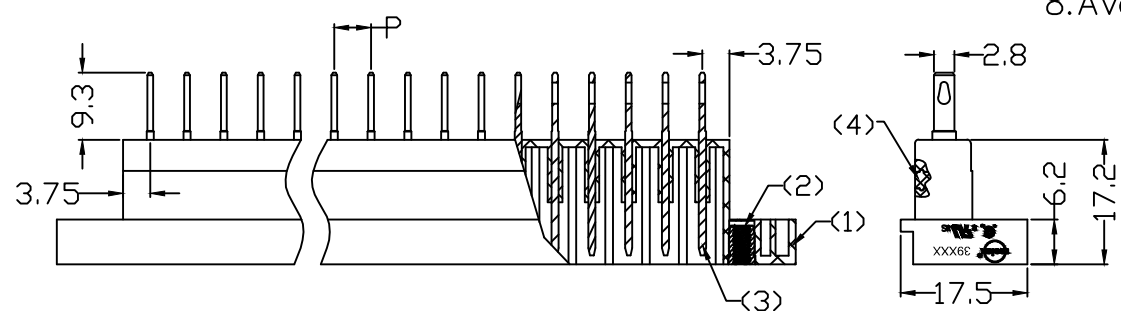
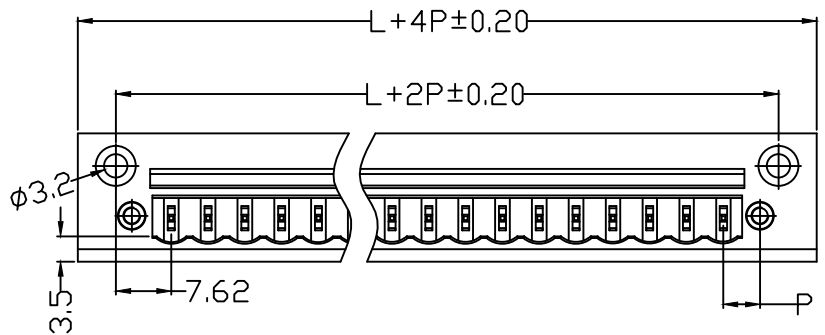
C

B

B

A

A



| RELEASE<br>EC NO: WNA2011-0463<br>DRWN: TWOLDEGE 2011/03/17<br>CHKD: BRUPERT<br>APPR: JFMURPHY 2011/04/11 | DESCRIPTION<br>REV 1                                 | QUALITY SYMBOLS   | GENERAL TOLERANCES (UNLESS SPECIFIED)   | DIMENSION STYLE   | SCALE               | DESIGN UNITS | THIRD ANGLE PROJECTION |     |     |          |     |       |          |       |       |         |       |       |     |     |        |  |
|---|--|---|---|---|---------------------|--------------|------------------------|-----|-----|----------|-----|-------|----------|-------|-------|---------|-------|-------|-----|-----|--------|--|
|   |  | $\nabla = 0$<br>$\sphericalangle = 0$   | <table border="1"> <thead> <tr> <th></th> <th>mm</th> <th>INCH</th> </tr> </thead> <tbody> <tr> <td>4 PLACES</td> <td>±--</td> <td>±--</td> </tr> <tr> <td>3 PLACES</td> <td>±--</td> <td>±.005</td> </tr> <tr> <td>2 PLACES</td> <td>±0.13</td> <td>±.010</td> </tr> <tr> <td>1 PLACE</td> <td>±0.25</td> <td>±.020</td> </tr> </tbody> </table> |   | mm                  | INCH         | 4 PLACES               | ±-- | ±-- | 3 PLACES | ±-- | ±.005 | 2 PLACES | ±0.13 | ±.010 | 1 PLACE | ±0.25 | ±.020 | --- | 1:1 | METRIC |  |
|   |  |   | mm  | INCH  |                     |              |                        |     |     |          |     |       |          |       |       |         |       |       |     |     |        |  |
|   |  | 4 PLACES  | ±--   | ±--   |                     |              |                        |     |     |          |     |       |          |       |       |         |       |       |     |     |        |  |
| 3 PLACES  | ±--  | ±.005   |   |   |                     |              |                        |     |     |          |     |       |          |       |       |         |       |       |     |     |        |  |
| 2 PLACES  | ±0.13  | ±.010   |   |   |                     |              |                        |     |     |          |     |       |          |       |       |         |       |       |     |     |        |  |
| 1 PLACE   | ±0.25  | ±.020   |   |   |                     |              |                        |     |     |          |     |       |          |       |       |         |       |       |     |     |        |  |
|   | ANGULAR ±1/2°  | DRAWN BY DATE<br>TWOLDEGE 2011/03/17<br>CHECKED BY DATE<br>BRUPERT<br>APPROVED BY DATE<br>JFMURPHY 2011/04/11 | TITLE   | TERMINAL BLOCK<br>5.08MM ERO HEADER VERT<br>12-20 AWG BLACK NYLON |                     |              |                        |     |     |          |     |       |          |       |       |         |       |       |     |     |        |  |
|   | DRAFT WHERE APPLICABLE MUST REMAIN WITHIN DIMENSIONS | SEE TABLE   | MATERIAL NO.<br>SIZE A  | MOLEX INCORPORATED<br>DOCUMENT NO.<br>SD-39531-004                | SHEET NO.<br>1 OF 2 |              |                        |     |     |          |     |       |          |       |       |         |       |       |     |     |        |  |

6

5

4

3

2

1

6

5

4

3

2

1

E

E

| MATERIAL NUMBER | DESCRIPTION                             |
|-----------------|---|
| 395312002       | 5.08MM EURO HEADER VERTICAL BLACK 2CKT  |
| 395312003       | 5.08MM EURO HEADER VERTICAL BLACK 3CKT  |
| 395312004       | 5.08MM EURO HEADER VERTICAL BLACK 4CKT  |
| 395312005       | 5.08MM EURO HEADER VERTICAL BLACK 5CKT  |
| 395312006       | 5.08MM EURO HEADER VERTICAL BLACK 6CKT  |
| 395312007       | 5.08MM EURO HEADER VERTICAL BLACK 7CKT  |
| 395312008       | 5.08MM EURO HEADER VERTICAL BLACK 8CKT  |
| 395312009       | 5.08MM EURO HEADER VERTICAL BLACK 9CKT  |
| 395312010       | 5.08MM EURO HEADER VERTICAL BLACK 10CKT |
| 395312011       | 5.08MM EURO HEADER VERTICAL BLACK 11CKT |
| 395312012       | 5.08MM EURO HEADER VERTICAL BLACK 12CKT |
| 395312013       | 5.08MM EURO HEADER VERTICAL BLACK 13CKT |
| 395312014       | 5.08MM EURO HEADER VERTICAL BLACK 14CKT |
| 395312015       | 5.08MM EURO HEADER VERTICAL BLACK 15CKT |
| 395312016       | 5.08MM EURO HEADER VERTICAL BLACK 16CKT |
| 395312017       | 5.08MM EURO HEADER VERTICAL BLACK 17CKT |
| 395312018       | 5.08MM EURO HEADER VERTICAL BLACK 18CKT |
| 395312019       | 5.08MM EURO HEADER VERTICAL BLACK 19CKT |
| 395312020       | 5.08MM EURO HEADER VERTICAL BLACK 20CKT |

D

D

C

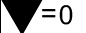
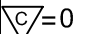

C

B

B

A

A

|   |   |   |         |   |  |   |                        |  |  |                     |
|---|---|---|---------|---|--|---|------------------------|--|--|---------------------|
| RELEASE<br>EC NO: WNA2011-0463<br>DRWN: TWOLDEGE 2011/03/17<br>CHKD: BRUPERT<br>APPR: JFMURPHY 2011/04/11 | QUALITY SYMBOLS<br> =0<br> =0 | GENERAL TOLERANCES (UNLESS SPECIFIED)       |         | DIMENSION STYLE<br>---                  |  | SCALE<br>1:1  | DESIGN UNITS<br>METRIC |  THIRD ANGLE PROJECTION |  |                     |
|   |   | 4 PLACES ±-- ±--                            | mm INCH | DRAWN BY DATE<br>TWOLDEGE 2011/03/17    |  | TITLE<br>TERMINAL BLOCK<br>5.08MM ERO HEADER VERT<br>12-20 AWG BLACK NYLON  |                        |  |  |                     |
|   |   | 3 PLACES ±-- ±.005                          |         | CHECKED BY DATE<br>BRUPERT ---          |  | MOLEX INCORPORATED  |                        |  |  |                     |
|   |   | 2 PLACES ±0.13 ±.010<br>1 PLACE ±0.25 ±.020 |         | APPROVED BY DATE<br>JFMURPHY 2011/04/11 |  | MATERIAL NO.<br>SEE TABLE   |                        | DOCUMENT NO.<br>SD-39531-004   |  | SHEET NO.<br>2 OF 2 |
| DRAFT WHERE APPLICABLE<br>MUST REMAIN<br>WITHIN DIMENSIONS  |   | ANGULAR ±1/2°                               |         | SIZE<br>A                               |  | THIS DRAWING CONTAINS INFORMATION THAT IS PROPRIETARY TO MOLEX INCORPORATED AND SHOULD NOT BE USED WITHOUT WRITTEN PERMISSION |                        |  |  |                     |

6

5

4

3

2

1