



LED Module

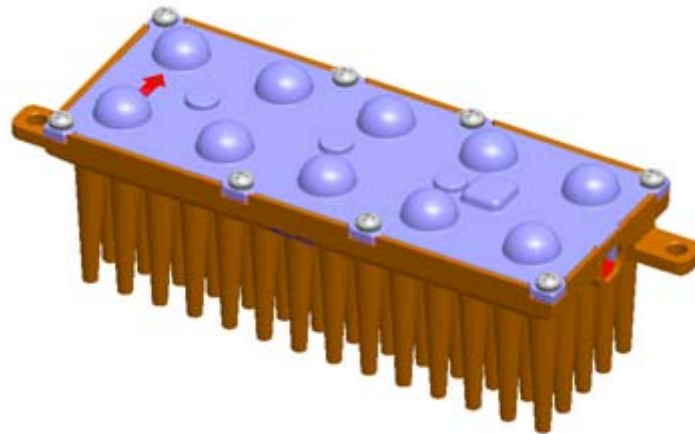
REV.NO.

PAGE

01

1/10

SPECIFICATION



LED Module for Modular Platform Engine Series

Model Name	25W Platform LED Module with Fin
Type	CRI min. 70, 5700K, BA 85 degree, 3535 Ceramic
Parts No.	STOPMW757252V85E31

SAMSUNG ELECTRONICS CO.



LED Module

REV.NO. PAGE

01 3/10

CONTENTS OF SPECIFICATION

1. APPLICATION	4
2. FUNDAMENTAL SPECIFICATIONS OF MODULE	6
3. PARTS SPECIFICATIONS	7
4. APPEARANCE AND STRUCTURE	8
5. PACKING SPECIFICATION	9
[APPENDIX 1] White LED Module Product Codes	10

This is a product specification of [STOPMW757252V85E31](#), one of [STOPMWxyy25zVttE3u](#). Please refer to relevant [General and Special Application Notes](#) for thermal, optical, electrical, mechanical design and reliability information.



LED Module

REV.NO.

PAGE

01

4/10

1. APPLICATION

25W Platform LED Module is designed as a core component in **Modular Platform Engine Series** for street light and flood light application. This document especially specifies **25W Platform LED Module with Fin**, generally recommended for luminaires with insufficient thermal management by the fixture itself.

1-1 Modular Platform Engine

Modular Platform Engine is composed of **25W Platform LED Module**, **25/50/75/100/150W LED Driver**, and **Distributor Harness**.

1-1-1 25W Platform LED Module

There are two different types of heat sink designs for 25W Platform LED Module, intended for thermal management either by engine or by fixture.

This document especially specifies **25W Platform LED Module with Fin for thermal management by Engine**.



(a) Module with Fin
[Thermal management by Engine]



(b) Module without Fin
[Thermal management by Fixture]

1-1-2 LED Driver



(a) 25/50/75W Driver



(b) 100/150W Driver

1-1-3 Distributor Harness

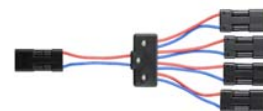
Distributor harnesses are available to feed current to various number of LED modules by using one or two channel output from LED Driver.



(a) 1-2



(b) 1-3



(c) 1-4



LED Module

REV.NO. PAGE

01 5/10

1-2 Modular Platform Engine Series

Typical operating current for one module is set at 700mA, which allows lumen output increment by **1875lm(nominal value)** depending on the number of LED modules.

1-2-1 Lumen Packages with LED Driver(Engine : 80lm/W)

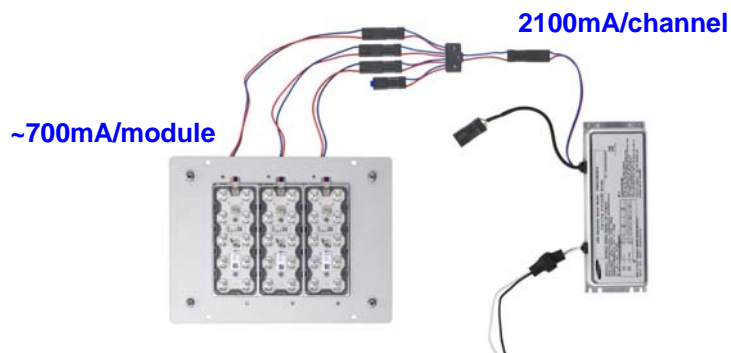
Power Consumption (Engine, Nominal)	Modules (ea)	Driver Output Channels (ea)	Operating Current (mA)	Lumen Output (lm)	Related Products
25W	1	1	700	1875	STOPMWxyy25zVttE3u STOPMWxyy25zVttF3u STOOPx17025Z032Svv
50W	2	1	700	3750	STOOPx21450Z032Svv STOPDR12024202R150
75W	3	1	700	5625	STOOPx22175Z032Svv STOPDR12026203R150
100W	4	2	700	7500	STOOPx214A0Z032Svv STOPDR12024202R150
150W	6	2	700	11250	STOOPx221A5Z032Svv STOPDR12026203R150

※ x : Remark of the Certification Mark for LED Module (A: UL Mark, F: CE Mark)

※ vv : Remark of the LED Driver (TD,00: Basic Model, 01,02,03: Derivation Model)

1-2-2 Current Distribution across Modules

Current per module can vary depending on the Vf distribution of modules in parallel, deviating from the nominal operating current(700mA). The Vf distribution of modules is tightly controlled to achieve uniform driving currents.



1-2-3 Optic Solutions

Application	Light Distribution	Solutions	Material
Street Light	IESNA Type I	Short(1), Medium(1)	PC
	IESNA Type II	Short(2), Medium(2)	PC
	IESNA Type III	Short(2), Medium(2)	PC
	IESNA Type IV	Short(2), Medium(1)	PC
	IESNA Type V	Short(1), Medium(1)	PC
Flood Light	Narrow	Circular(BA15/25/40)	PC
	Medium	Circular(BA50/65), Rectangular(BA50x80), Batwing(BA85)	PC
	Wide	Circular(BA100), Batwing(BA120) Rectangular(BA90x130)	PC

※ BA : Beam Angle, PC : Polycarbonate



LED Module

REV.NO.

PAGE

01

6/10

2. FUNDAMENTAL SPECIFICATIONS OF MODULE

No.	ARTICLE	SPECIFICATIONS					
2-1	Photometric Specification of Platform LED Module @700mA(stabilized at Tc~65℃)						
	CCT	Article					
	Symbol	MIN					
	TYP	MAX					
	Unit	Equipments					
5700K	Luminous Flux	LF	1750	1875	-	lm	Goniometer
	Color Temperature	CCT	5310	5665	6020	K	Goniometer
	Color Rendering Index	CRI	70	-	-	Ra	Integrating Sphere
		※ Typical values are not necessarily the same as the nominal values.					
		Light Distribution Profile : Type II Short with Optimized Illuminance Uniformity					
		※ The isolux diagram is drawn at the luminaire height of 5m. ※ IES files(in IESNA or CIE format) are available with Optical Application Notes .					
2-2	Dimension	• LED Module with Fin : 150(L)x50(W)x47.45(H) mm					
2-3	Weight	• LED Lighting Module : {0.28kg ± 0.03kg} * 12ea • Total Weight (including packing box) : 4.8kg ± 0.5kg/1box					
2-4	Operating Temperature	• Case Temperature : +10℃ ~ +80℃ (Tc ~ 65℃ at Ta ~ 25℃) Tc point ※ Recommended Tc points as a function of number of modules are described in Thermal Application Notes .					
2-5	Storage Temperature	• -30℃ ~ +70℃ (Tc) ※ -30℃ : ambient temperature without operation					
2-6	Dust-proof Water-proof	• IP66 for CE Marking • Damp Location for UL Marking					



LED Module

REV.NO.

PAGE

01

7/10

No.	ARTICLE	SPECIFICATIONS					
2-7	Electrical Specification of Platform LED Module (stabilized at Tc~65℃)						
	Article	Symbol	MIN	TYP	MAX	Unit	Remarks
	Power Consumption	P	-	21	-	W	30V x 0.7A, module only
	Operating Current	Iop	-	700	1000	mA	per 1 Module [700mA /PKG 1EA,TYP.]
	Operating Voltage	Vdc	28.0	30.5	33.0	V	per 1 Module [3.0V/PKG 1EA, TYP.] 10 LEDs in Series
Electrical Circuit	Maximum of 4 modules can be in parallel connection with one LED driver channel of a UL class 2 power supply unit.						
<p>※ The power consumption for a specific module is dependent on the operating voltage distribution across the modules in parallel connection. The maximum operating current means the highest limit in any operating condition.</p> <p>※ Voltage difference between modules are tightly controlled to be less than 1.0V so that the maximum current of any module can be limited to 850mA. Voltage bins of modules will be designated on the module label and box label, described in Electrical Application Notes.</p> <p>※ Safety and wiring information will be described in Electrical Application Notes.</p>							

3. PARTS SPECIFICATIONS

No.	ARTICLE	SPECIFICATIONS
3-1	Lens Cover Screw	<ul style="list-style-type: none"> Material : Stainless Steel with Teflon Washer Location : between the array lens and heat sink
3-2	Array Lens Cover	<ul style="list-style-type: none"> Material : Polycarbonate Thickness : 2.0 mm Lens Type : BA 85 degree
3-3	Seal Rubber	<ul style="list-style-type: none"> Material : Molded Silicone
3-4	LED Board	<ul style="list-style-type: none"> LED : Ceramic PKG, CRI min. 70 Material : MCPCB, Aluminum Thickness : 1.6 mm Stainless Steel Screws : 3ea
3-5	Side Inlet Harness	<ul style="list-style-type: none"> Material : Molded PVC coated with Sealant Silicone, 105℃ rating Wires : 24 AWG, 105℃ rating Length(wires) : 550 mm Connector Plug : IP66(minimum)
3-6	Heat Sink (with Fin)	<ul style="list-style-type: none"> Material : Die-cast Aluminium Thermal Pad between the PCB and Heat Sink



LED Module

REV.NO. PAGE

01 8/10

4. APPEARANCE AND STRUCTURE

No.	ARTICLE	SPECIFICATIONS
4-1	<p>Appearance and Dimension (BA 85 degree)</p>	<p>※ Appearance is different for various optical solutions depending on the combination of the 10 core lenses. Critical dimensions are all the same for the optical solutions except for the thickness difference at the core lens cross-section. Detailed information on the lenses are described in Optical and Mechanical Application Notes.</p>
4-2	<p>Structure (BA 85 degree)</p>	
4-3	<p>Labelling for Vf Binning (General)</p>	<p>[LED Board Label] [Module Label] [Box Label]</p>



LED Module

REV.NO.

PAGE

01

9/10

5. PACKING SPECIFICATION

5-1 Packing Method

5-1-1 Inner Box : 6 modules of the same Vf bin in one inner box

6 PCs/Inner Box

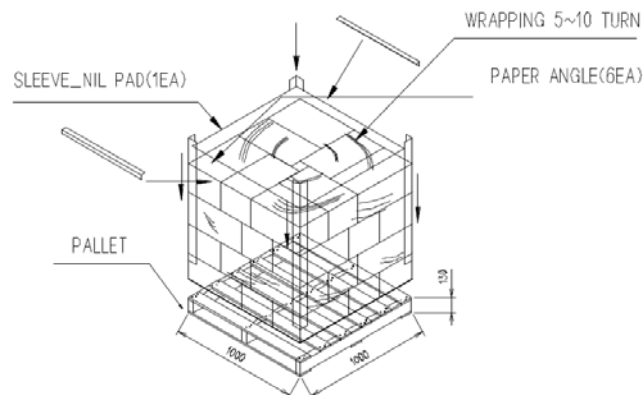


5-1-2 Outer Box : 12 modules on 2 stacks of inner boxes in one outer box

2 Stacks of Inner Boxes
(419 x 240 x 189)



5-2 Pallet : 32 boxes(384 modules) on one pallet



※ Two stacks of pallets are allowed.



LED Module

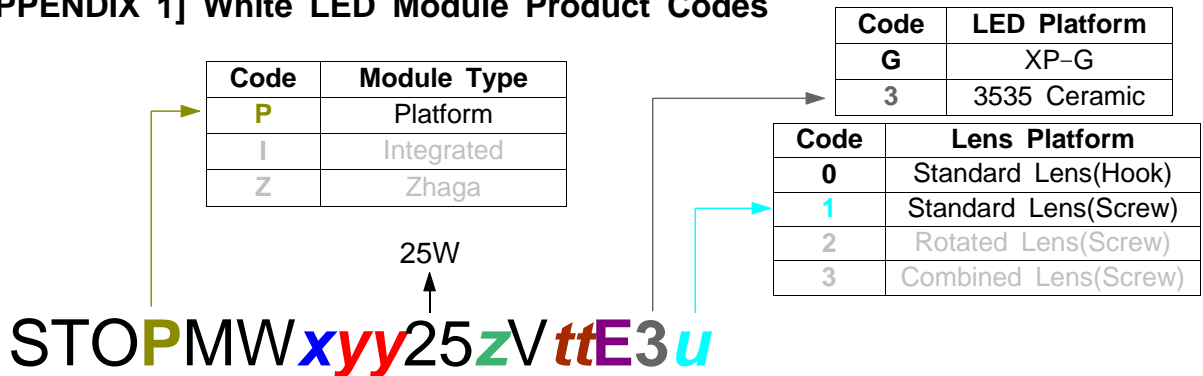
REV.NO.

PAGE

01

10/10

[APPENDIX 1] White LED Module Product Codes



CRI(Ra)	Code
60.0~69.9	6
70.0~79.9	7
80.0~89.9	8
90.0~99.9	9
100	A
60.0~64.9	B
65.0~69.9	C
65.0~74.9	D
70.0~74.9	E
75.0~79.9	F
75.0~84.9	G
80.0~84.9	H
85.0~89.9	I
85.0~94.9	J
90.0~94.9	K
95.0~99.9	L

Nominal CCT(K)	Code
6500	65
5700	57
5000	50
4500	45
4300	43
4000	40
3500	35
3000	30
2700	27

Luminous Flux(lm)	Code
6400~10000	9
4300~6500	8
3200~4400	7
2600~3300	6
2300~2700	5
2150~2400	4
1950~2200	3
1750~2000	2
1600~1800	1
1450~1650	0

Code	Heat Sink Platform
E	Engine (Heat Sink with Fin)
F	Fixture (Heat Sink without Fin)
A	Adaptor (Heat Sink with Flange)

Code	Light Distribution	
0L	Lambertian	without lens
1S	IESNA Type 1	short
1M	IESNA Type 1	medium
2S	IESNA Type 2	short(I)
2M	IESNA Type 2	medium(I)
7S	IESNA Type 2	short(L)
7M	IESNA Type 2	medium(L)
3S	IESNA Type 3	short(I)
3M	IESNA Type 3	medium(I)
8S	IESNA Type 3	short(I)
8M	IESNA Type 3	medium(L)
4S	IESNA Type 4	short(I)
4M	IESNA Type 4	medium(I)
9S	IESNA Type 4	short(L)
5S	IESNA Type 5	short
5M	IESNA Type 5	medium
15	15 deg	circular
25	25 deg	circular
40	40 deg	circular
50	50 deg	circular
65	65 deg	circular
85	85 deg	circular batwing
A0	100 deg	circular
C0	120 deg	circular batwing
58	50 x 80 deg	rectangular
9D	90 x 130 deg	rectangular

(I) : optimized for Illuminance uniformity
(L) : optimized for Luminance uniformity