

**NOTES:**

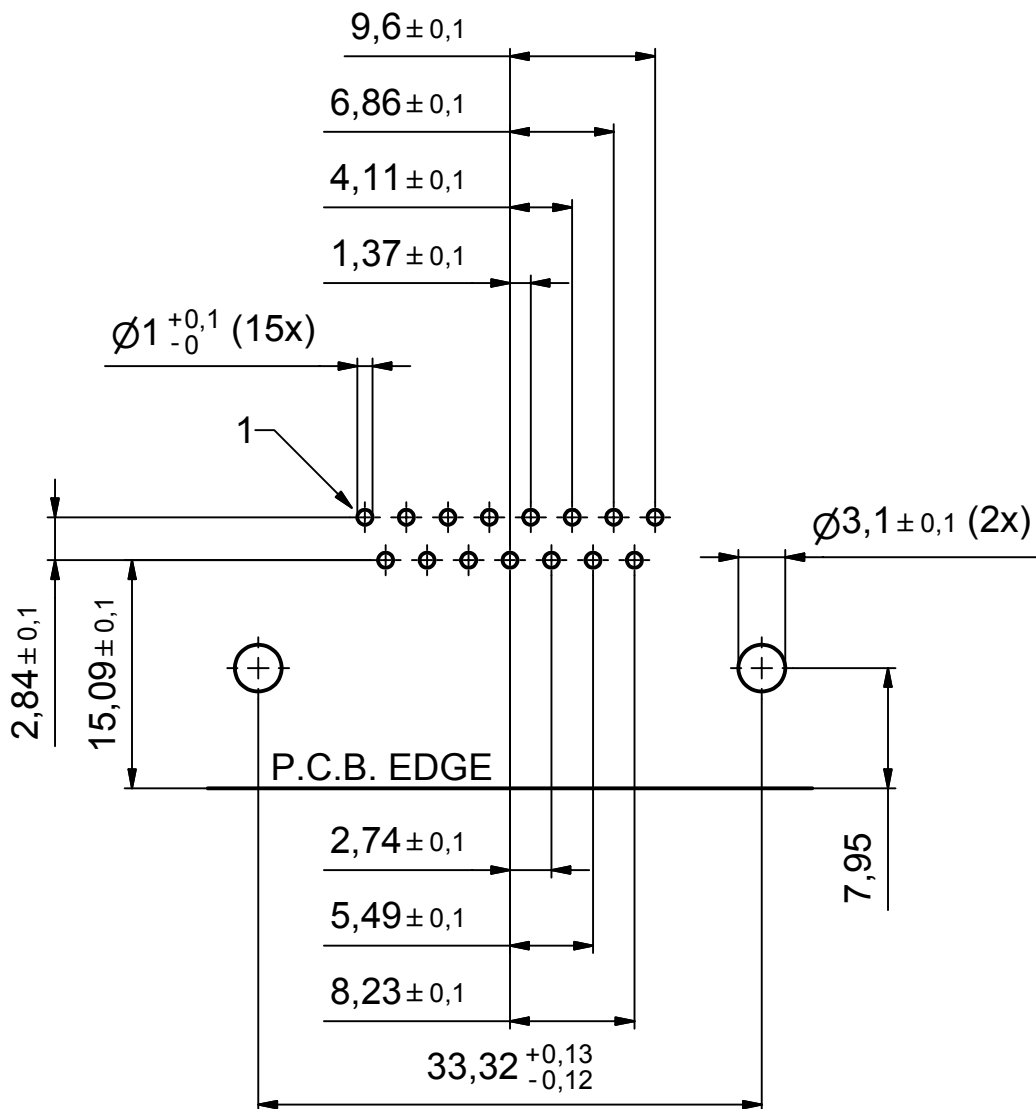
1. METALSHELLS: STEEL; min. 315µm TIN over 40-80µm NICKEL
2. INSULATORS: HIGH TEMPERATURE PLASTIC UL 94 V-0, BLACK
3. CONTACTS: COPPER ALLOY  
PLATING: 8µm HARD GOLD over min. 50µm NICKEL  
CONTACT TAILS PRETINNED
4. METAL BRACKET: ZINC DIE CAST; min. 300µm COPPER/40-120µm NICKEL/120-200µm TIN
5. THREADED INSERT: COPPER ALLOY; min. 200µm TIN over 80µm NICKEL
6. CAPACITANCE: 2 x 180pF ± 20%
7. DIELECTRIC WITHSTANDING VOLTAGE: 300 VDC
8. P.C.B. HOLE DRILLINGS ON SHEET 2
9. MAXIMUM TORQUE VALUE FOR THREAD: 6 in.LB
10. CONNECTOR IS PART MARKED: 241A26050X CONEC ABC

Directive 2002/95/EC  
"RoHS"  
Compliant

APPROVAL # FREIGABE # DEBLOCAGE # AUTORIZACION # APPROVAL	
CUSTOMER APPROVAL DATE:	
NAME:	TITLE:
COMPANY NAME:	
APPROVAL # FREIGABE # DEBLOCAGE # AUTORIZACION # APPROVAL	

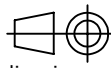

THIS DRAWING MAY NOT BE COPIED OR REPRODUCED IN ANY WAY, AND MAY NOT BE PASSED ON TO A THIRD PARTY WITHOUT WRITTEN PERMISSION. OWNERSHIP AND COPYRIGHT OF CONEC GmbH DO NOT ALTER CAD DRAWING BY HAND	finish:	SEE NOTES	tolerance:	
	dim. in mm		date	name
	drawn	26.10.06	Lehmenkühler	
	appd.	26.10.06	Mickenbecker	
		norm	DIN 41652	
		d-old		
a	Origin	<b>CONEC</b> <sup>®</sup>		
rev.	description			
	date	name		

scale:	2:1 (5:1)	
material:	SEE NOTES	
title:	D-SUB π Filter Male 90° 15pos. 0,590inch threaded insert and metal bracket	
dwg no:	Inventor 10	DIN-A3
	24K1A939	sh: 1
part no:	241A26050X	



THIS DRAWING MAY NOT BE COPIED OR REPRODUCED IN ANY WAY, AND MAY NOT BE PASSED ON TO A THIRD PARTY WITHOUT WRITTEN PERMISSION. OWNERSHIP AND COPYRIGHT OF CONEC GmbH

DO NOT ALTER CAD DRAWING BY HAND

finish: SEE SHEET 1				tolerance		 dim. in mm		scale: 2:1	
								material: SEE SHEET 1	
				date		name		title:	
				drawn 26.10.06		Lehmenkühler		<b>P.C.B. HOLE DRILLINGS</b> D-SUB π Filter Male 90° 15pos., 0,590inch threaded insert and metal bracket	
				appd. 26.10.06		Mickenbecker			
				norm		DIN 41652			
				d-old				dwg no: Inventor 10	
								DIN-A4	
a Origin						24K1A939		sh: 2	
rev. description date name						part no: SEE SHEET 1			