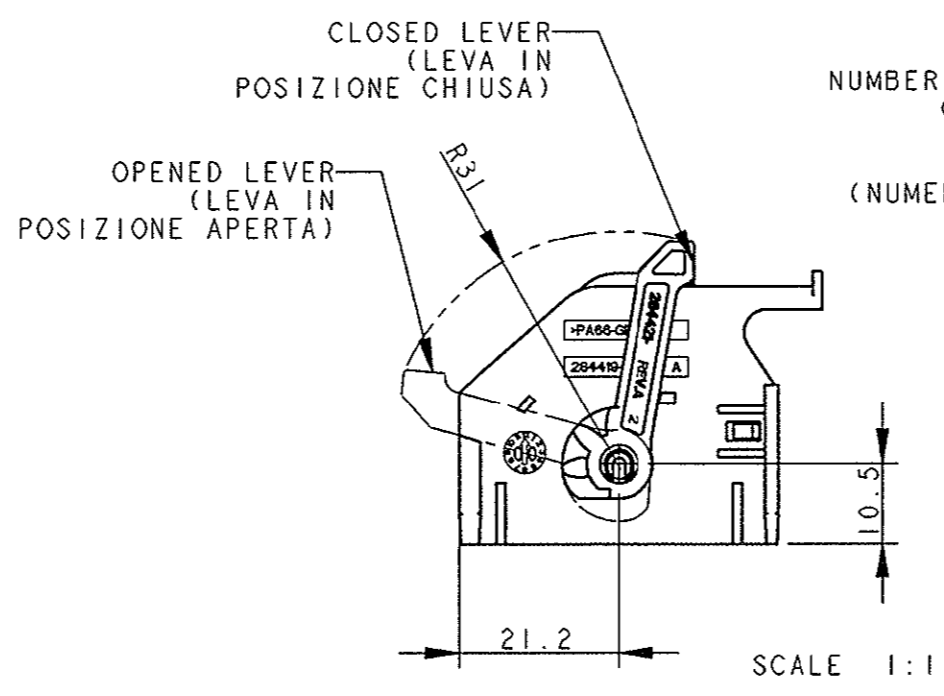
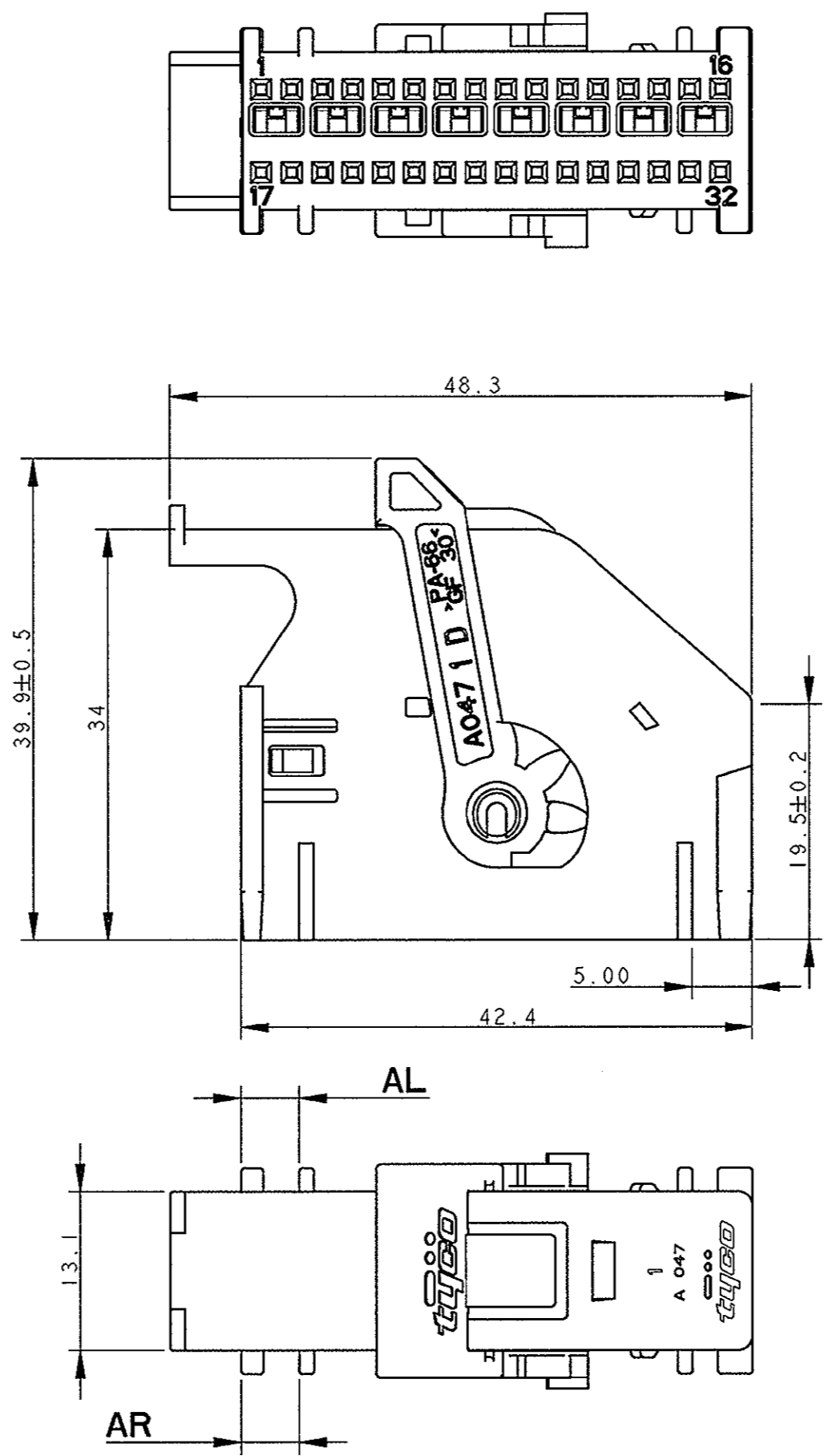
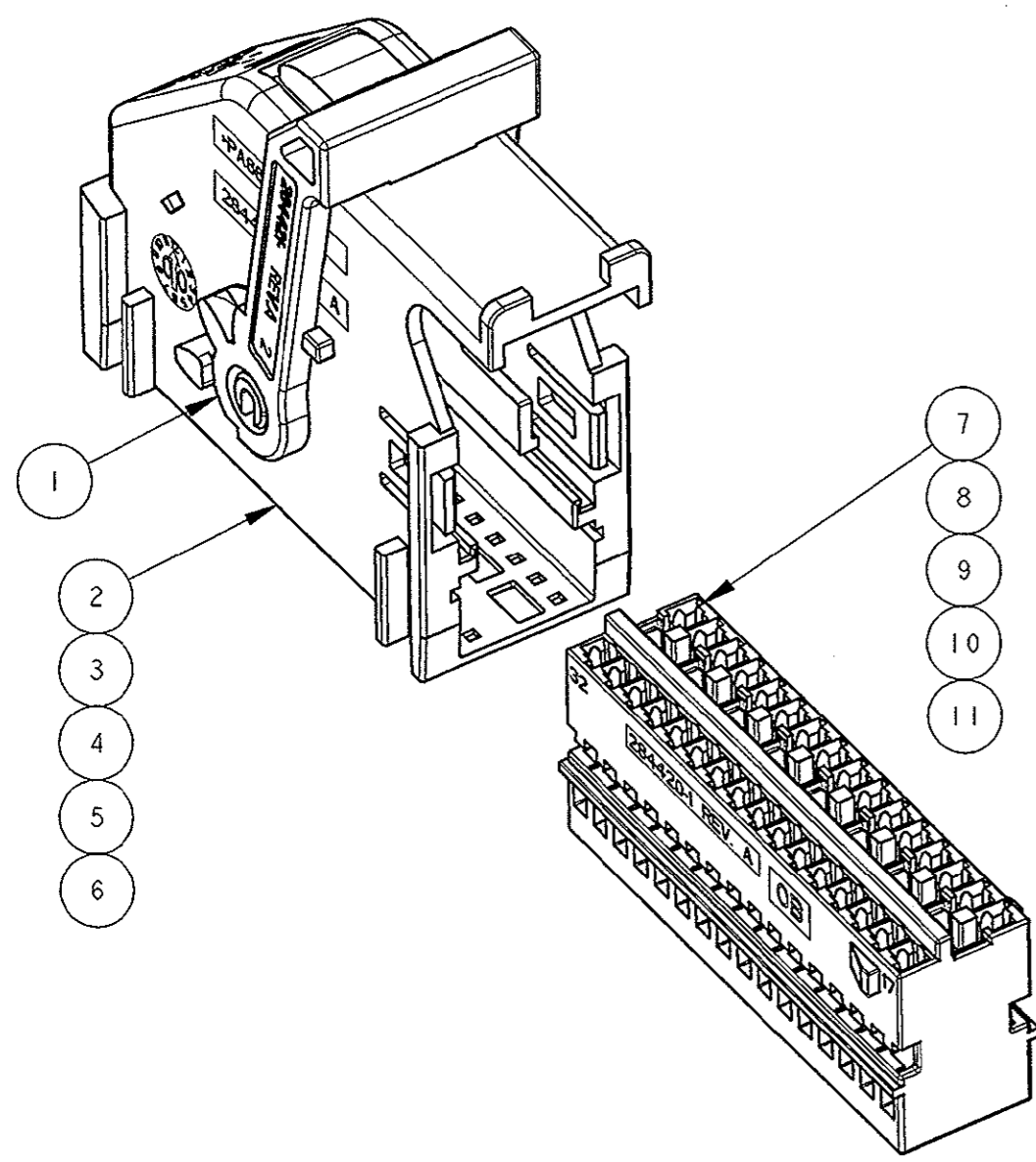


THIS DRAWING IS UNPUBLISHED. RELEASED FOR PUBLICATION  
 BY AMP INCORPORATED. ALL RIGHTS RESERVED.

PART LIST (LISTA COMPONENTI)							
ITEM (NO.)	DESCRIPTION (DESCRIZIONE)	DIMENSION (DIMENSIONE)	MATERIAL (MATERIALE)	QUANTITY REQUIRED PER ASSEMBLY (QUANTITA' RICHIESTA PER ASSEMBLATO)			
1	LEVER (LEVA)		PA 66GF30 COLOR GREEN (COLORE VERDE)	1	1	1	1
2	COVER (CORAZZA)	AL= 4,80 AR= 4,80	PA 66GF30 COLOR BLACK (COLORE NERO)	1			
3	COVER (CORAZZA)	AL= 8,00 AR= 8,00	PA 66GF30 COLOR GRAY (COLORE GRIGIO)		1		
4	COVER (CORAZZA)	AL=11,20 AR=11,20	PA 66GF30 COLOR BLUE (COLORE BLU)			1	
5	COVER (CORAZZA)	AL=11,20 AR= 4,80	PA 66GF30 COLOR WHITE (COLORE BIANCO)				1
6	COVER (CORAZZA)	AL= 4,80 AR= 8,00	PA 66GF30 COLOR BROWN (COLORE MARRONE)				1
REC. HOUSING (ASSEM. BLOCCHETTO PORTA FEMMINE)				1			
7	7-1 HOUSING (BLOCCHETTO)	B=5,40	PA 66GF13 COLOR BLACK (COLORE NERO)			1	
	7-2 SPRING (MOLLA DI C.C.)		STAINLESS STEEL (ACCIAIO INOX)			8	
REC. HOUSING (ASSEM. BLOCCHETTO PORTA FEMMINE)				1			
8	8-1 HOUSING (BLOCCHETTO)	B=1,90	PA 66GF13 COLOR GRAY (COLORE GRIGIO)			1	
	8-2 SPRING (MOLLA DI C.C.)		STAINLESS STEEL (ACCIAIO INOX)			8	
REC. HOUSING (ASSEM. BLOCCHETTO PORTA FEMMINE)					1		
9	9-1 HOUSING (BLOCCHETTO)	B=1,00	PA 66GF13 COLOR BLUE (COLORE BLU)			1	
	9-2 SPRING (MOLLA DI C.C.)		STAINLESS STEEL (ACCIAIO INOX)			8	
REC. HOUSING (ASSEM. BLOCCHETTO PORTA FEMMINE)						1	
10	10-1 HOUSING (BLOCCHETTO)	B=6,10	PA 66GF13 COLOR WHITE (COLORE BIANCO)			1	
	10-2 SPRING (MOLLA DI C.C.)		STAINLESS STEEL (ACCIAIO INOX)			8	
REC. HOUSING (ASSEM. BLOCCHETTO PORTA FEMMINE)							1
11	11-1 HOUSING (BLOCCHETTO)	B=0,30	PA 66GF13 COLOR BROWN (COLORE MARRONE)			1	
	11-2 SPRING (MOLLA DI C.C.)		STAINLESS STEEL (ACCIAIO INOX)			8	

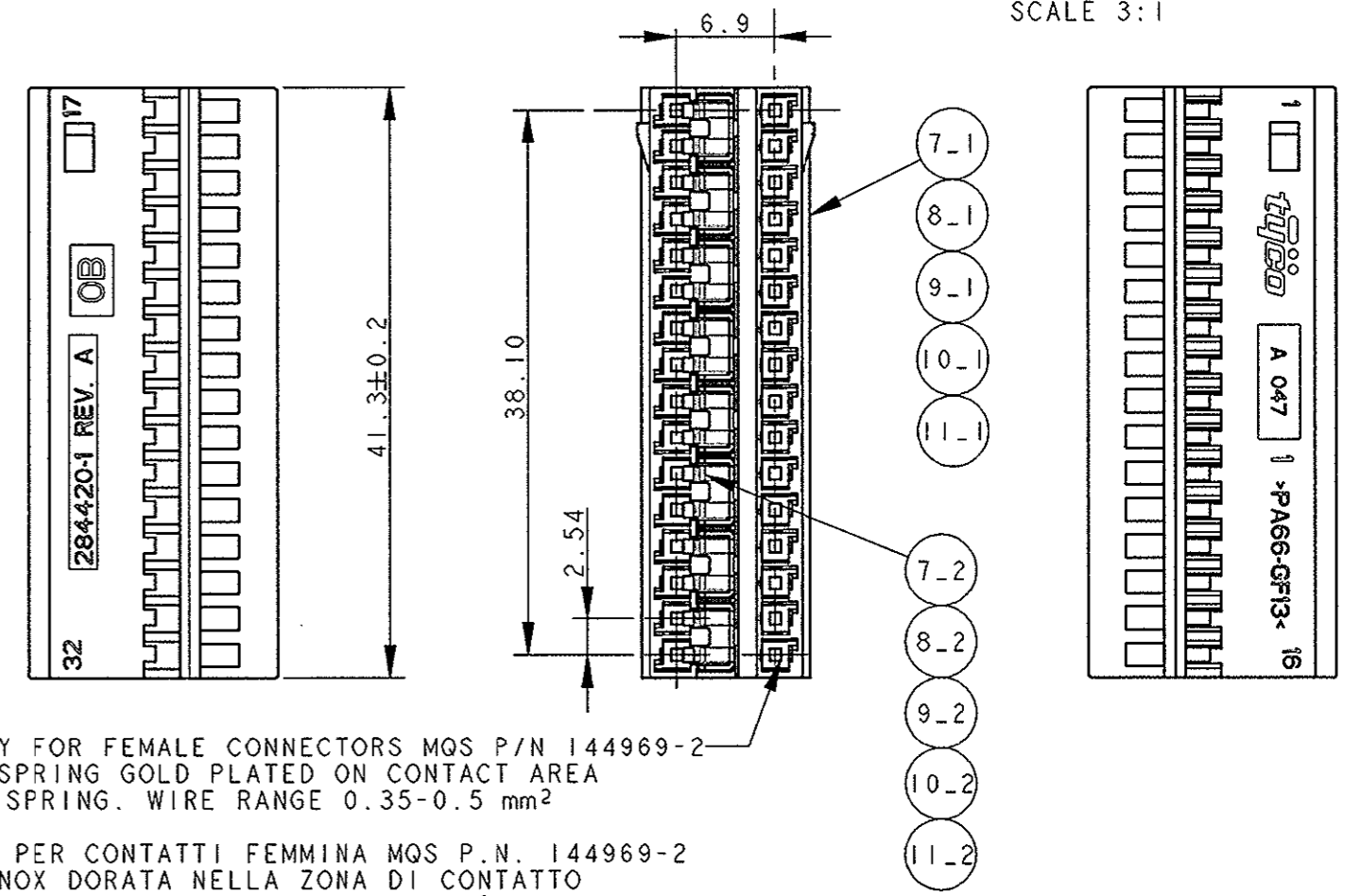
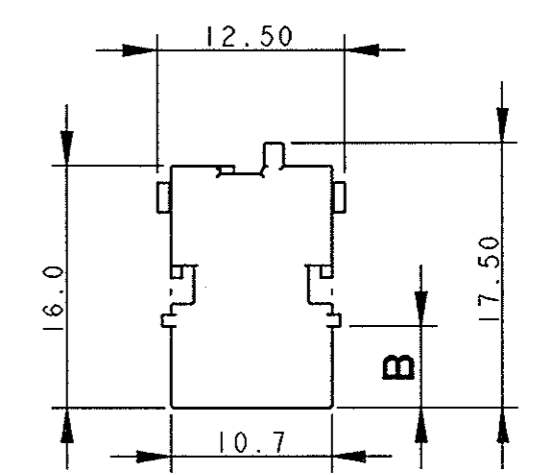
284423-4 REV. A BLACK (NERO)	284423-3 REV. A GRAY (GRIGIO)	284423-6 REV. A BLUE (BLU)	284423-7 REV. A WHITE (BIANCO)	284423-5 REV. A BROWN (MARRONE)
---------------------------------	----------------------------------	-------------------------------	-----------------------------------	------------------------------------



NUMBER 32 CAVITIES SUITABLE ONLY FOR FEMALE CONNECTORS MQS P/N 144969-2  
 CuNiSi + STAINLESS STEEL SPRING GOLD PLATED ON CONTACT AREA  
 AND IN THE BACK OF THE SPRING. WIRE RANGE 0.35-0.5 mm<sup>2</sup>  
 (NUMERO 32 CAVITA' ADATTE SOLO PER CONTATTI FEMMINA MQS P.N. 144969-2  
 CuNiSi + MOLLA ACCIAIO INOX DORATA NELLA ZONA DI CONTATTO  
 E SUL DORSO DELLA MOLLA. RANGO FILO 0.35-0.5 mm<sup>2</sup>)

LOC		DIST		REVISIONS			
P	LTR	DESCRIPTION	DATE	DWN	APVD		
	A	FIRST ISSUE	25MAR00	P.C.	A.G.		
	A1	RELEASED FOR PRODUCTION (ET00-0047-02)	29MAR02	M.B.	O.C.		
	A2	ADDED MECH. POLARIZATION -7 (ET00-191-02)	20NOV02	M.B.	O.C.		
	A3	ADDED MECH. POLARIZATION -5 (ET00-221-02)	20FEB04	M.B.	O.C.		
	A4	RELEASED FOR PRODUCTION POLARIZATION -5 AND -7 (ET00-0119-04)	11JUN04	M.B.	O.C.		

- NOTES
- THE PRODUCT IS SUPPLIED WITH LEVER IN CLOSED POSITION  
(IL PRODOTTO VIENE FORNITO CON LA LEVA IN POSIZIONE CHIUSA)
  - THE PRODUCT IS SUITABLE FOR MATING WITH:  
1379046 PIN HEADER 24 + 32 POS.  
1355737 PIN HEADER 24 + 32 POS.  
(IL PRODOTTO E' ADATTO PER ACCOPPIAMENTO CON:  
1379046 PIN HEADER 24 + 32 POS.  
1355737 PIN HEADER 24 + 32 POS.)
  - SEE INSTRUCTION SHEET 411-20054 FOR THE APPROPRIATE MATING OPERATION SEQUENCE WITH COUNTERPART  
(VEDERE FOGLIO DI ISTRUZIONE 411-20054 PER LA CORRETTA SEQUENZA DI MONTAGGIO CON LA CONTROPARTE)



THIS DRAWING IS A CONTROLLED DOCUMENT FOR AMP INCORPORATED. IT IS SUBJECT TO CHANGE AND THE CONTROLLING ENGINEERING ORGANIZATION SHOULD BE CONTACTED FOR THE LATEST REVISION.		DWN P. CASSANDRIN CHK - APVD A. GENIA PRODUCT SPEC 108-20223 APPLICATION SPEC 114-15077 WEIGHT - CUSTOMER DRAWING	29OCT99 29OCT99 NAME A. GENIA SIZE A2 CAGE CODE 00779 DRAWING NO. C-284423 SCALE 2:1	AMP Italia S.p.A. C.so F.lli Cervi 15 Collegno (TO)	KIT ASS'Y FOR 32 POSITIONS AIRBAG CONNECTOR	SHEET 1 OF 1 REV A4
-------------------------------------------------------------------------------------------------------------------------------------------------------------------------------	--	-------------------------------------------------------------------------------------------------------------------------------------	--------------------------------------------------------------------------------------------------------	--------------------------------------------------------	------------------------------------------------	------------------------