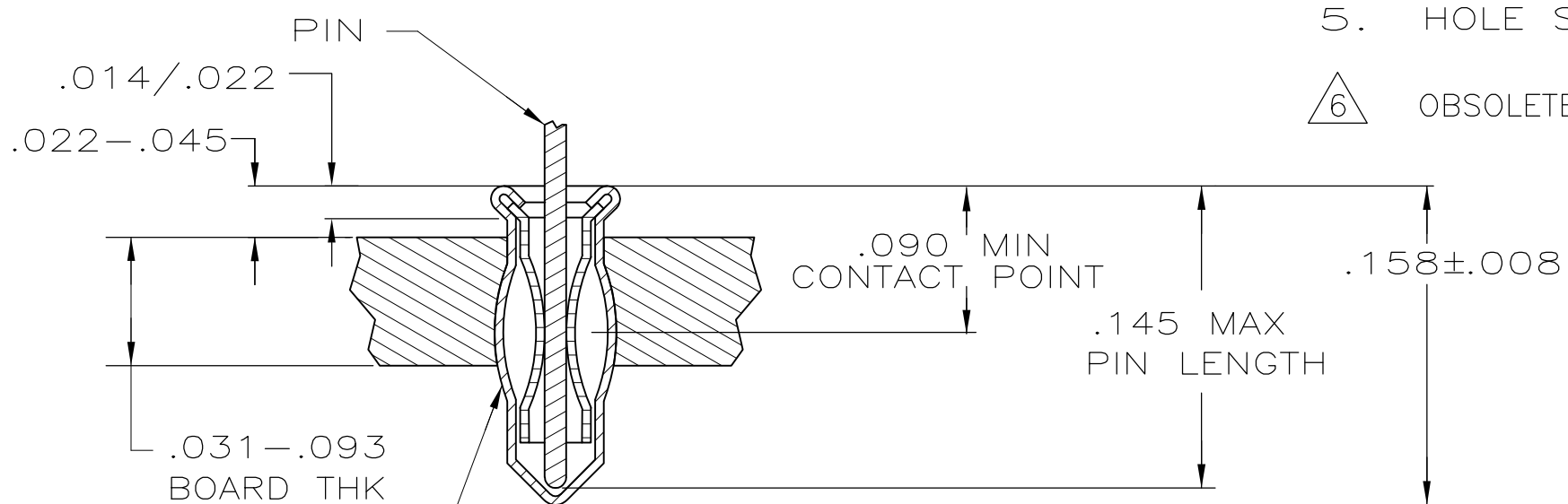
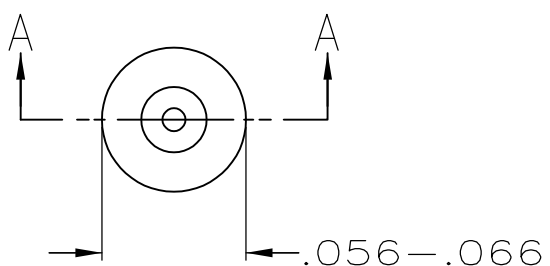


THIS DRAWING IS UNPUBLISHED. RELEASED FOR PUBLICATION  
 © COPYRIGHT - BY TYCO ELECTRONICS CORPORATION. ALL RIGHTS RESERVED.

| LOC | DIST | REVISIONS |     |                           |         |     |      |
|-----|------|-----------|-----|---------------------------|---------|-----|------|
|     |      | P         | LTR | DESCRIPTION               | DATE    | DWN | APVD |
| AG  | 53   |           | A   | REVISED PER ECO-06-001742 | 31JAN06 | JDP | JGH  |
|     |      |           | A1  | REVISED PER ECO-09-024606 | 03NOV09 | KK  | AEG  |



INSERTION MACHINE CAPABLE OF OVALIZING SOCKET FOR RETENTION IN PC BOARD WITH .042±.003 DIA HOLE PRIOR TO SOLDERING OPERATION

SECTION A-A

- MATERIAL:  
 EYELET - COPPER PER ASTM B 152  
 SPRING - BERYLLIUM COPPER PER ASTM B 194
- TIN PLATE PER ASTM-B-545 .000100 MIN THICK
- GOLD PLATE PER ASTM B 488 .000030 MIN THICK ON CONTACT AREA.
- TO INSURE 1/2 OZ MIN RETENTION DO NOT EXCEED .004 DIFFERENCE IN PIN DIA WHEN CHANGING TO A SMALLER DIA PIN
- HOLE SIZE FOR HAND INSERTION 0.043-0.046
- OBSOLETE PARTS: OBSOLETE CIS STREAMLINING PER D.RENAUD/D.SINISI

|           |                |                 |                |                       |
|-----------|----------------|-----------------|----------------|-----------------------|
| .090-.145 | .012-.018      | GOLD $\Delta 3$ | TIN $\Delta 2$ | $\Delta 6$ 5645945-5- |
|           | .015-.021      | TIN $\Delta 2$  |                | 5645945-2             |
|           |                |                 |                | 5645945-1             |
| LENGTH    | DIA $\Delta 3$ | SPRING          | EYELET         | PART NO               |
| PIN       |                | FINISH          |                |                       |

|  |  |                               |   |              |
|--|--|-------------------------------|---|--------------|
| THIS DRAWING IS A CONTROLLED DOCUMENT. |  | DWN<br>G. ATTADIA - 20APR2005 | Tyco Electronics Corporation<br>Harrisburg, PA 17105-3608 |              |
| DIMENSIONS:<br>INCHES                  |  | CHK<br>J. HAVENER 20APR2005   | NAME<br>MINIATURE SPRING SOCKET ASSEMBLY SERIES 1 SHORT   |              |
| TOLERANCES UNLESS OTHERWISE SPECIFIED: |  | APVD<br>J. HAVENER 20APR2005  | PRODUCT SPEC<br>108-14008                                 |              |
| 0 PLC ± -                              |  | APPLICATION SPEC<br>114-13152 |   |              |
| 1 PLC ± -                              |  | WEIGHT -                      |   |              |
| 2 PLC ± -                              |  | SIZE A3                       |   |              |
| 3 PLC ± -                              |  | CAGE CODE 00779               |   |              |
| 4 PLC ± -                              |  | DRAWING NO C-5645945          |   |              |
| ANGLES ± -                             |  | RESTRICTED TO -               |   |              |
| MATERIAL NOTE 1                        |  | FINISH SEE TABLE              |   |              |
|  |  | CUSTOMER DRAWING              |   |              |
|  |  | SCALE NTS                     |   | SHEET 1 OF 1 |
|  |  | REV A1                        |   |              |